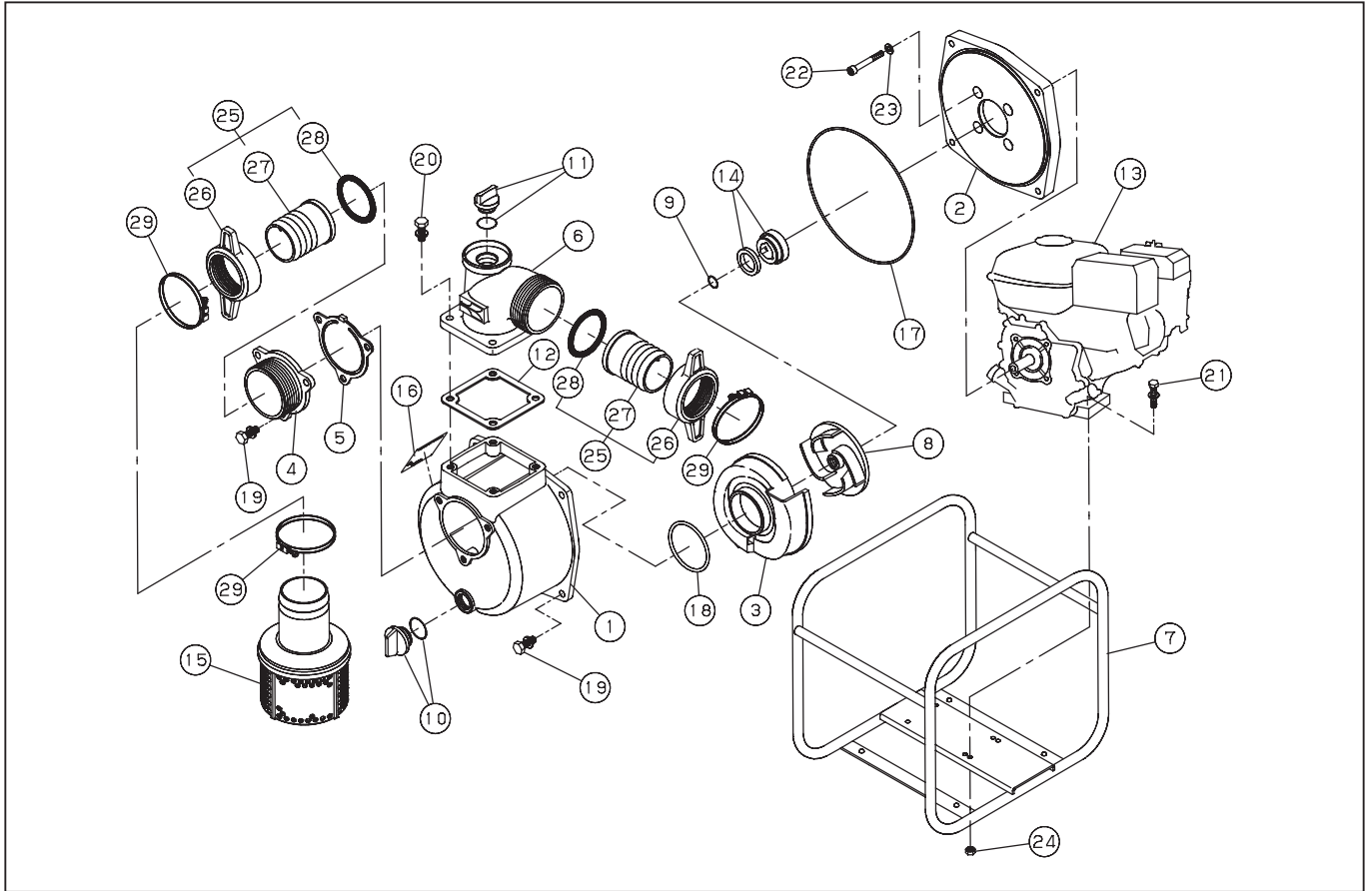


SEH-80X

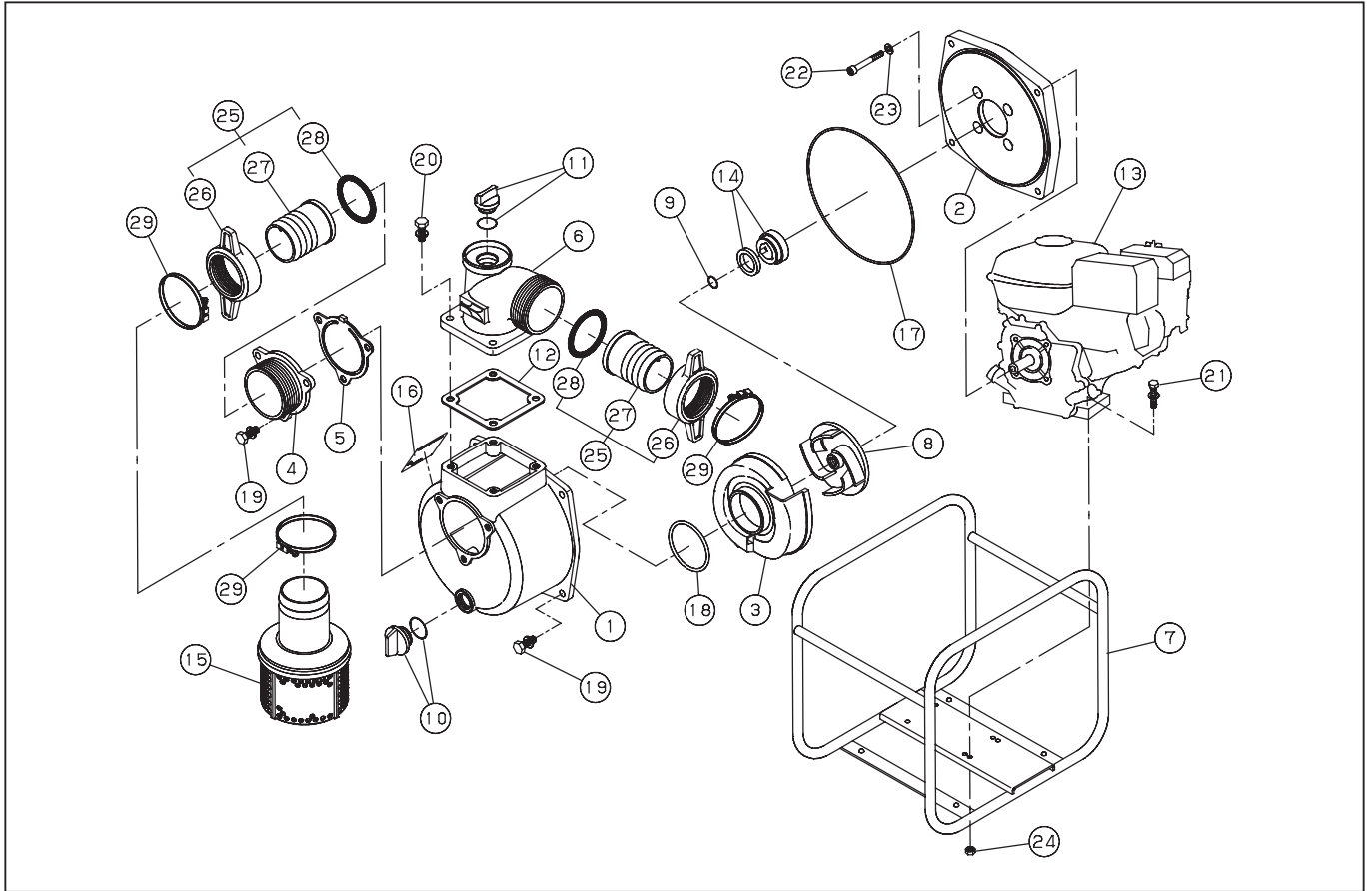


DWG No. 066850105 MODEL: SEH-80X FORM: SEH-80X-BAY-2(G200-WBD)

No.	PARTS CODE	PARTS NAME	QTY	MATERIAL	SIZE	REMARKS
1	011279503	PUMP CASING	1	ADC		
2	011526902	FLANGE BRACKET	1	ADC		
3	011437902	VOLUTE CASING	1	FC-20		
4	011279701	SUCTION FLANGE	1	ADC		
5	011279901	CHECK VALVE	1	NBR		
6	011057003	DELIVERY FLANGE	1	ADC		
7	012819901	BASE SET	1			
8	011571801	IMPELLER	1			
9	011551001	IMPELLER ADJUSTING WASHER	3	BSP		
10	011807802	20A PLUG SET	1			
11	011807901	25A PLUG SET	1			
12	011058402	FLANGE PACKING	1	CR		
13	011664201	ENGINE	1	HONDA G200-WBD		
14	012006201	MECHANICAL SEAL	1	HJ-20(B)	66BAHT	
15	011819501	STRAINER SET	1	PP		
16	011465605	NAME PLATE	1			
17	011501501	O-RING	1	NBR	1517-46.5	
18	011398901	O-RING	1	NBR	P74	
19	743119061	HEXAGON BOLT	7	SWRM	M10X25	
20	743119063	HEXAGON BOLT	4	SWRM	M10X30	
21	743119053	HEXAGON BOLT	4	SWRM	M8X40	
22	734532066	HEXAGON SOCKET BOLT	4	SCM	M8X25	
23	854255008	SEAL WASHER	4		φ 8	
24	827419008	HEXAGON NUT	4	SWRM	M8	
25	011702802	COUPLING SET	2	ABS		
26	011437502	COUPLING	2	ABS		
27	011030105	NIPPLE	2	ABS		
28	011437801	COUPLING PACKING	2	NBR		
29	940019090	HOSE BAND	3		φ 90	
	011465704	OUTER CARTON	1			

◆ Bare engine can not be supplied

SEH-80X



DWG No. 066850105 MODEL: SEH-80X FORM: SEH-80X-BAY-2(G200-WBD)

No.	PARTS CODE	PARTS NAME	QTY	MATERIAL	SIZE	REMARKS
	012045801	OPERATION MANUAL	1			

◆ Bare engine can not be supplied