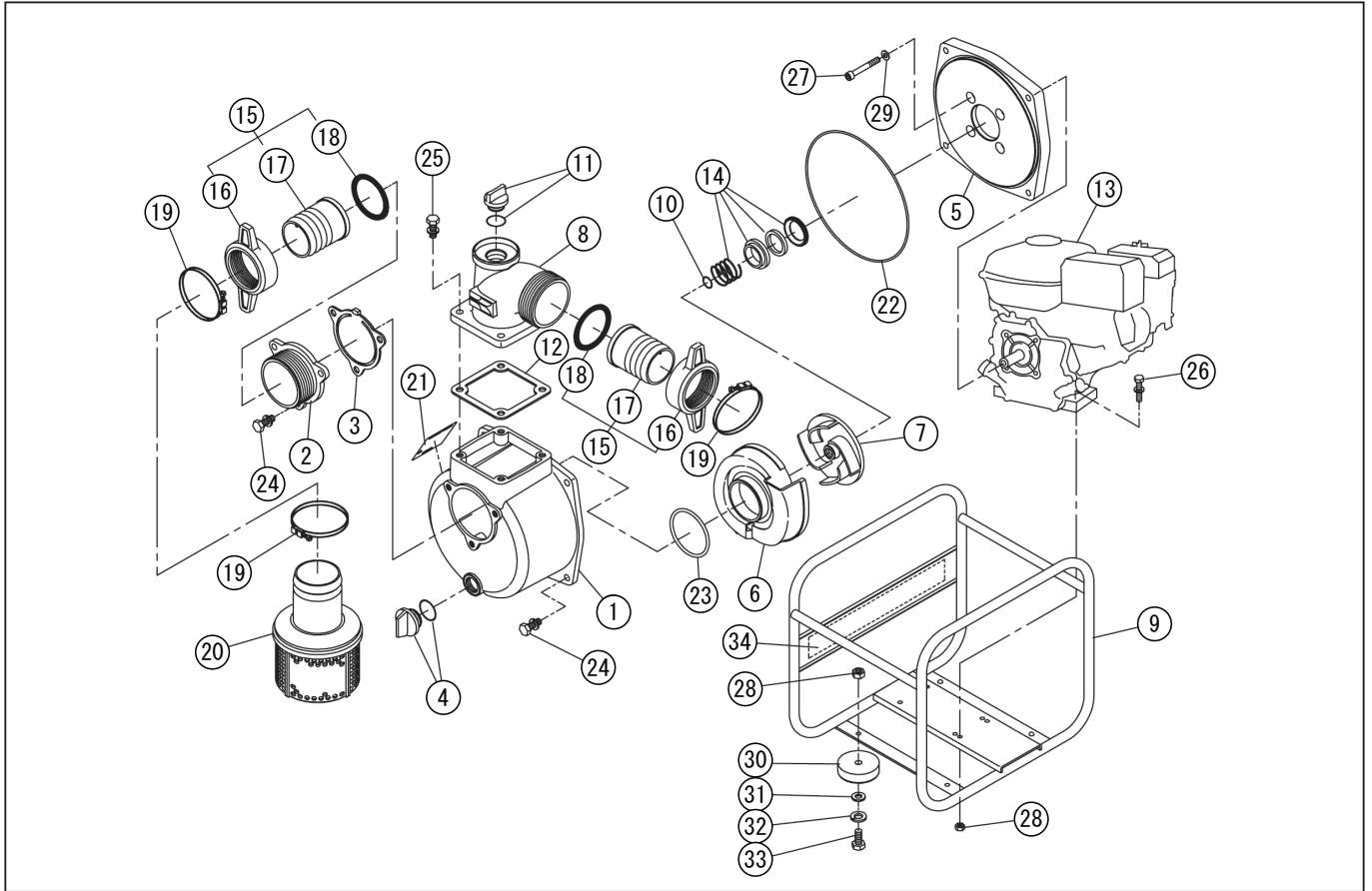


DWG No.011938319 MODEL : SEH-80X FORM : SEH-80X-BAC-5

No.	PARTS CODE	PARTS NAME	QTY	MATERIAL/SIZE	REMARKS
1	012019602	PUMP CASING	1	ADC	
2	011279701	SUCTION FLANGE	1	ADC	
3	011279901	CHECK VALVE	1	NBR	
4	011807802	20A PLUG SET	1		
5	011279601	FLANGE BRACKET	1	ADC	
6	012104702	VOLUTE CASING	1	FC200	
7	012104602	IMPELLER	1	FC200	
8	011057005	DELIVERY FLANGE	1	ADC	
9	011798302	BASE SET	1		
10	011049102	IMPELLER ADJUSTING WASHER	3	BSP	
11	011807901	25A PLUG SET	1		
12	011058402	DELIVERY FLANGE PACKING	1	CR	
13	012054903	ENGINE	1	HONDA GX160T2WMK	
14	011066402	MECHANICAL SEAL	1	φ 20	
15	011702802	COUPLING SET	2		
16	011437502	COUPLING	2	ABS	
17	011030105	HOSE NIPPLE	2	ABS	
18	011437801	COUPLING PACKING	2	NBR	
19	940019090	HOSE BAND	3	φ 90	
20	011819501	STRAINER SET	1	PP	
21	011345907	NAME PLATE	1		
22	011501501	O-RING	1	1517-46.5 NBR	
23	011398901	O-RING	1	P74 NBR	
24	743119061	HEXAGON BOLT	7	M10X25 SWRM	
25	743119063	HEXAGON BOLT	4	M10X30 SWRM	
26	743119053	HEXAGON BOLT	4	M8X40 SWRM	
27	734532076	HEXAGON SOCKET BOLT	4	M8X60 SCM CS	
28	827419008	HEXAGON NUT	8	M8 SWRM	
29	854255008	SEAL WASHER	4	φ 8	
30	011051502	CUSHION RUBBER	4	F-23	

◆ Bare engine can not be supplied



DWG No.011938319 MODEL : SEH-80X FORM : SEH-80X-BAC-5

No.	PARTS CODE	PARTS NAME	QTY	MATERIAL/SIZE	REMARKS
31	846007008	WASHER	4	φ 8	
32	843822008	SPRING WASHER	4	φ 8	
33	735719148	HEXAGON BOLT	4	M8X20	
34	012042802	SIDE PANEL LABEL	1		
	011346009	PACKING CASE	1		

◆ Bare engine can not be supplied