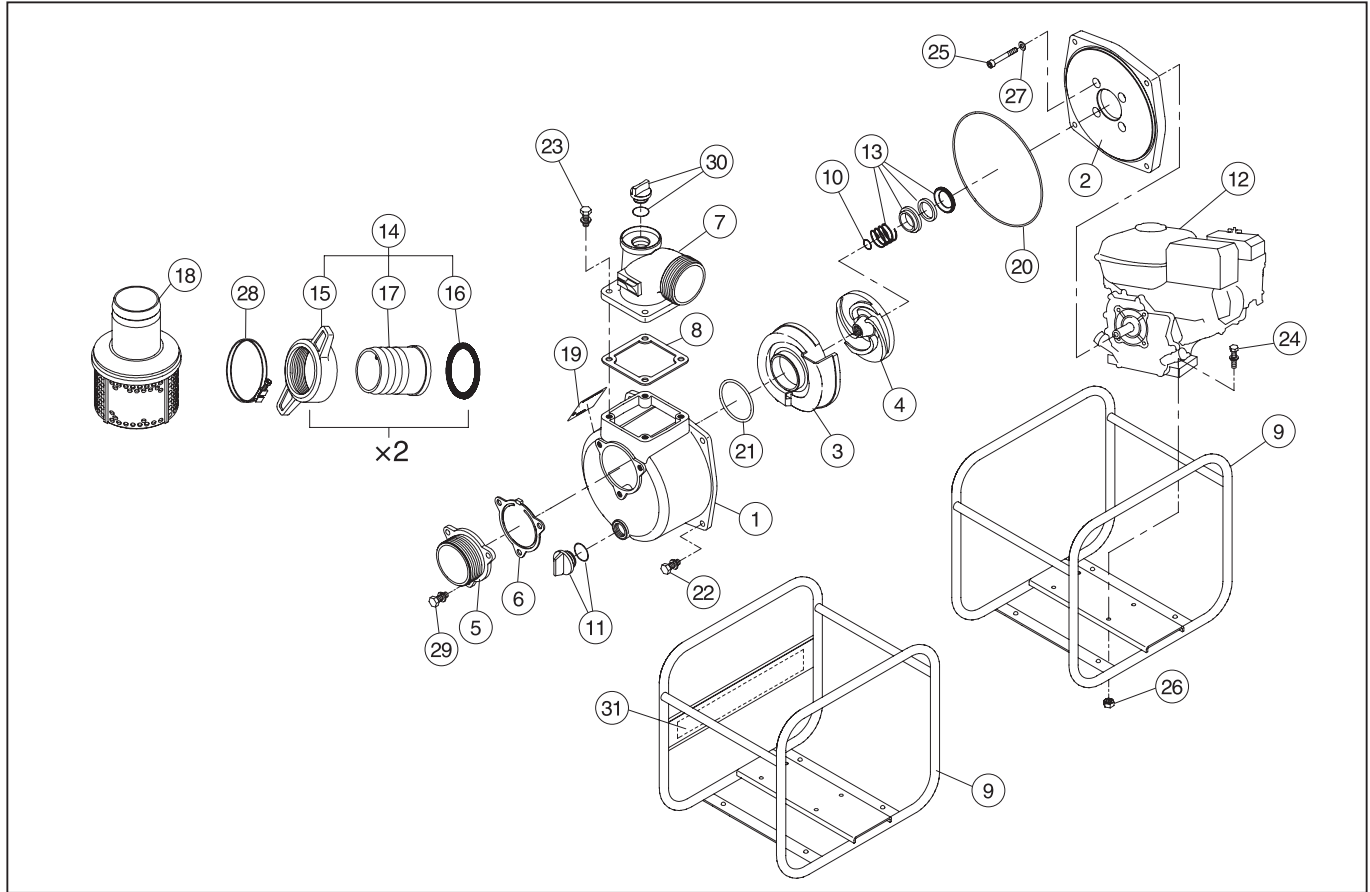


SEH-80X

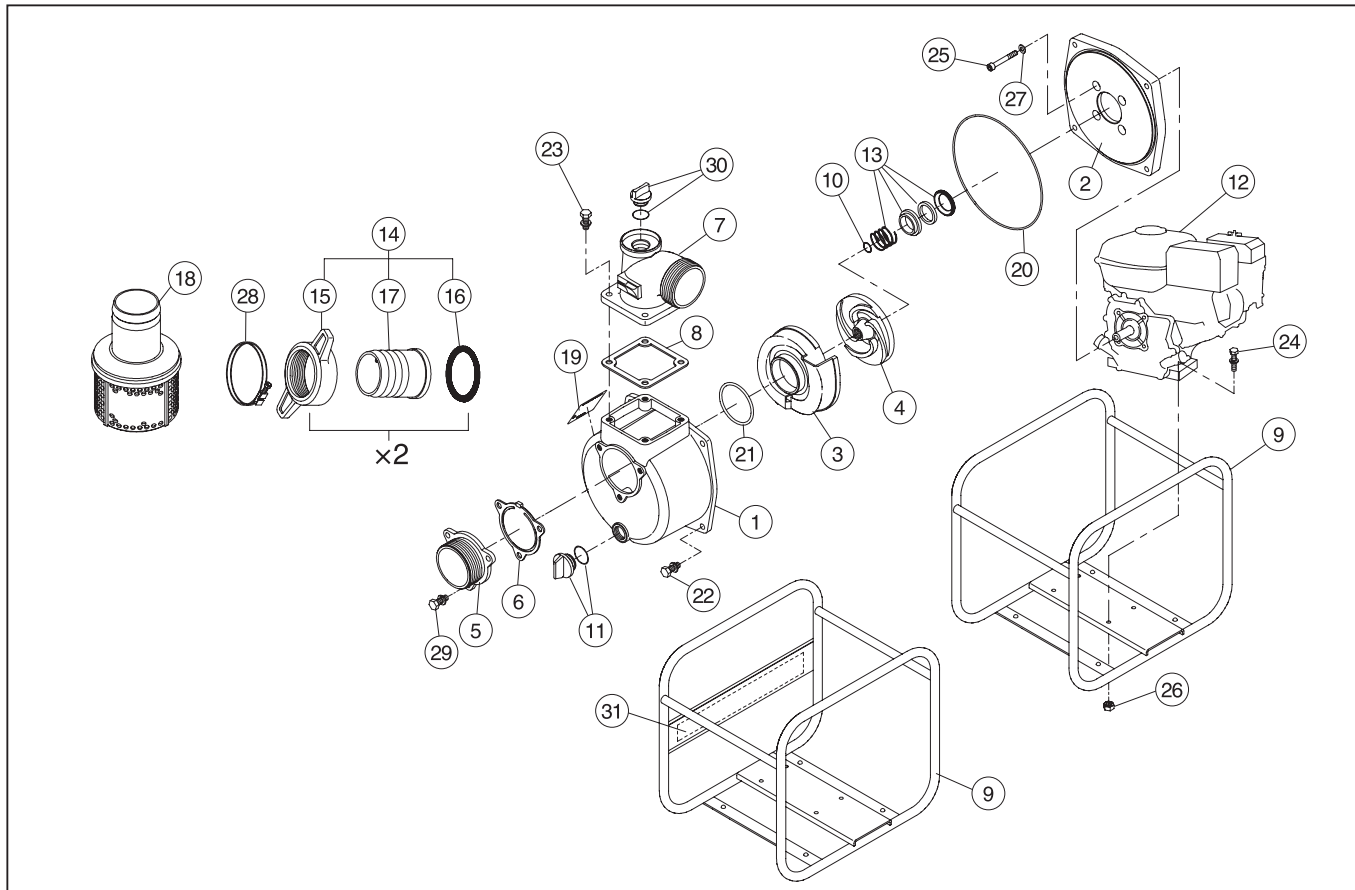


DWG No. 066861501 MODEL: SEH-80X FORM:SEH-80X-BEW

No.	PARTS CODE	PARTS NAME	QTY	MATERIAL	SIZE	REMARKS
1	012019601	Pump Casing	1	ADC		
2	011526902	Flange Bracket	1	ADC		
3	011437902	Volute Casing	1	FC-20		
4	011661701	Impeller	1	FC		
5	011279701	Suction Flange	1	ADC		
6	011279901	Check Valve	1	NBR		
7	011057004	Delivery Flange	1	ADC MARK		
8	011058402	Flange Packing	1	CR		
9	012820501	Base Set(Black)	1			
9	012820801	Base Set(Orange)	1			
9	012830101	Base Set(Side Panel)	1			
10	011551001	Adjusting Washer	3	BSP		
11	011807802	20A Plug Set	1			
12	-----	Engine	1	HONDA GX160K1WBT		
13	012006201	Mechanical Seal	1	HJ-20(B)	66BAHT	
14	011702802	Coupling Set	2	ABS		
15	011437502	Coupling	2	ABS		
16	011437801	Coupling Packing	2	NBR		
17	011030105	Nipple	2	ABS		
18	011819501	Strainer Set	1	PP		
19	-----	Name Plate	1		NO.2	
20	011501501	O-Ring 1517-46.5	1	NBR	1517-46.5	
21	011398901	O-Ring P74	1	NBR	P74	
22	743119061	Bolt M10X25	4	SWRM	M10X25	
23	743119063	BOLT M10X30	4	SWRM	M10X30	
24	743119053	BOLT M8X40	4	SWRM	M8X40	
25	734532066	Socket Bolt	4	SCM	M8X25	
26	827419008	Nut M8	4	SWRM	M8	
27	854255008	Seal Washer	4		φ 8	
28	940019090	Hose Band	3		φ 90	

◆ Bare engine can not be supplied

SEH-80X



DWG No. 066861501 MODEL: SEH-80X FORM:SEH-80X-BEW

No.	PARTS CODE	PARTS NAME	QTY	MATERIAL	SIZE	REMARKS
29	743119061	Bolt M10X25	3	SWRM	M10X25	
30	011807901	25A Plug Set	1			
31	012121901	Side Panel Label	1			

◆ Bare engine can not be supplied