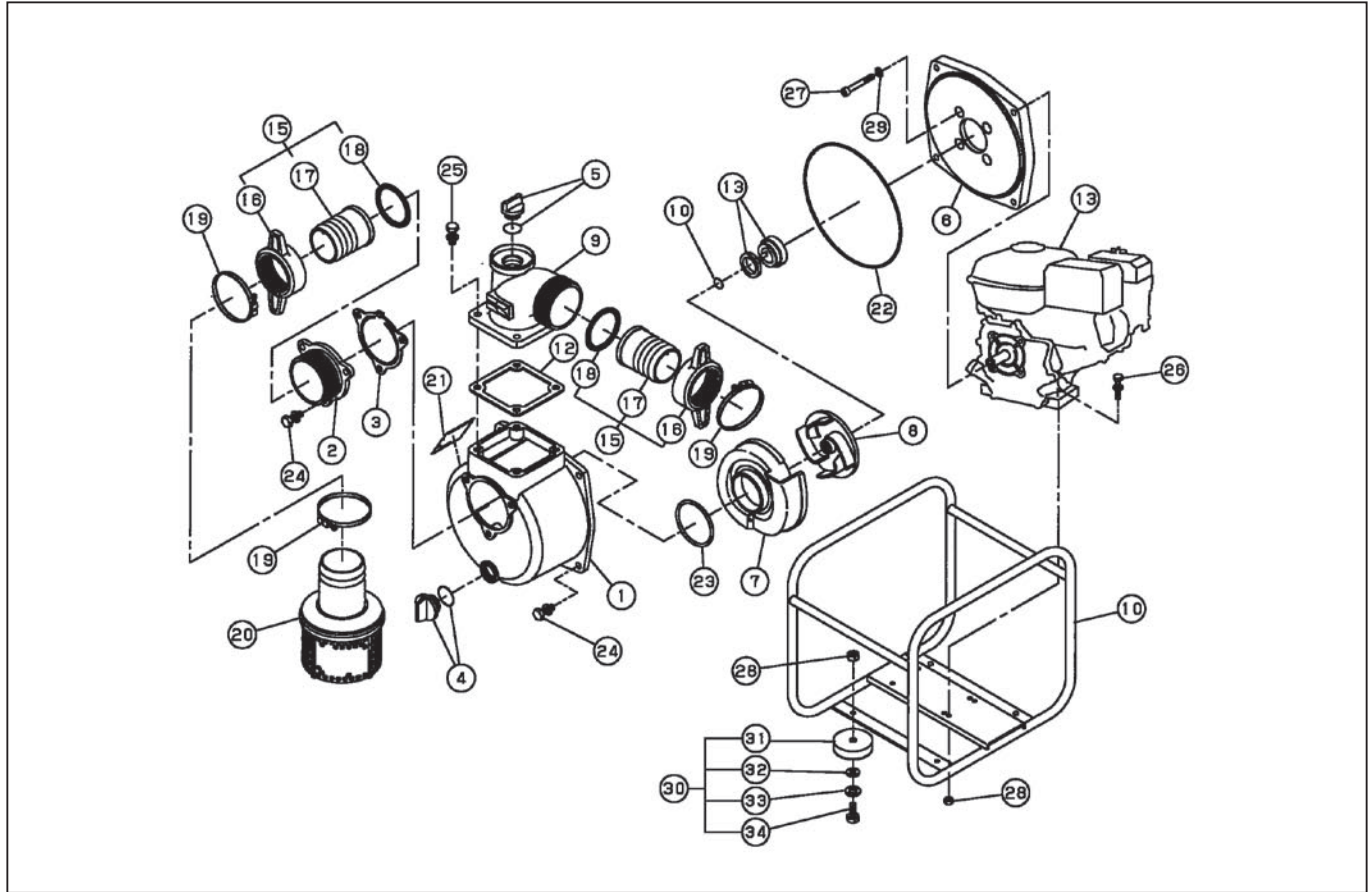


SEH-80X

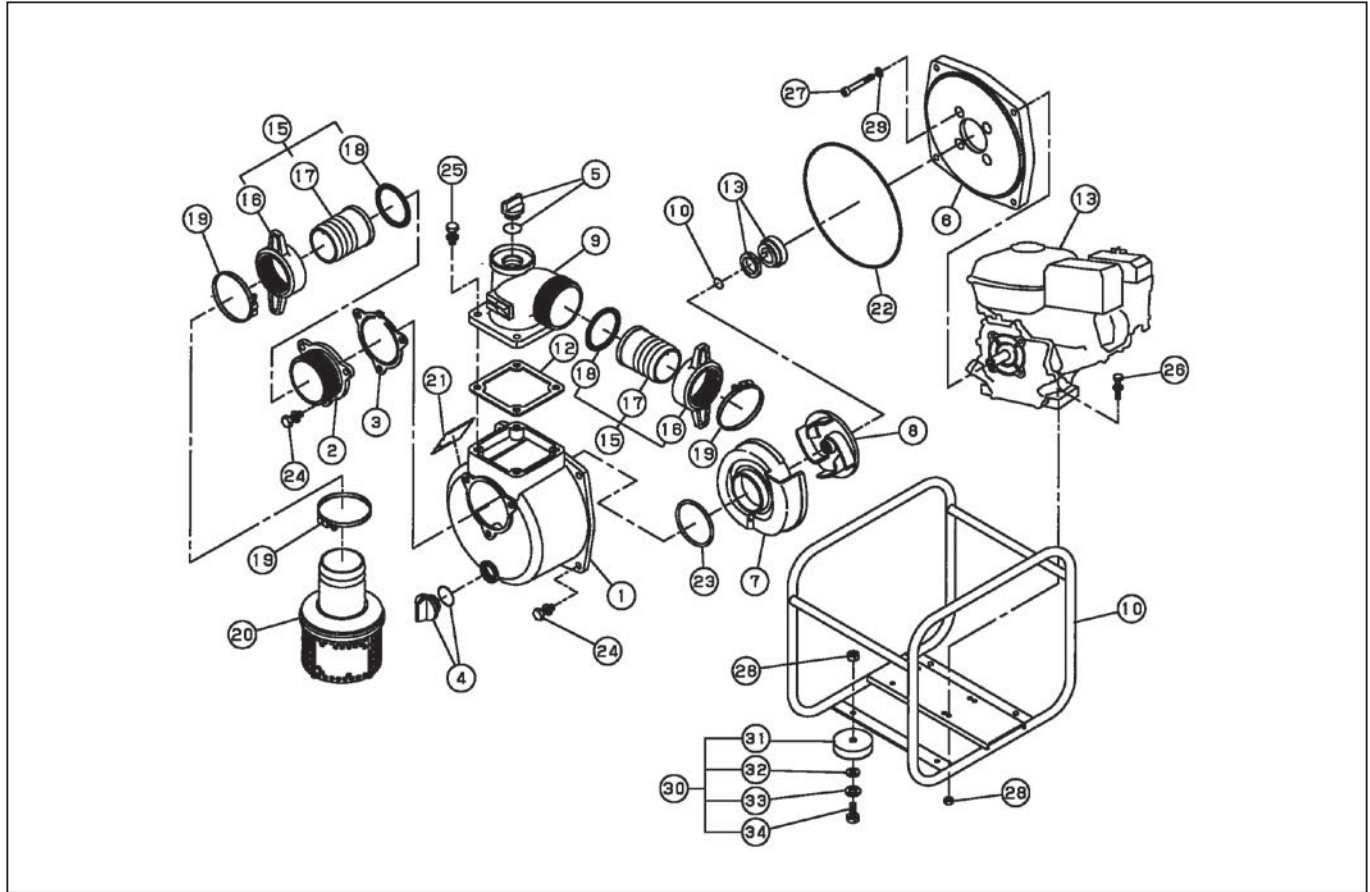


DWG No. 066851809 MODEL:SEH-80X FORM:SEH-80X-BDQ-1

| No. | PARTS CODE | PARTS NAME | QTY | MATERIAL | SIZE | REMARKS |
|-----|------------|---------------------------|-----|------------------|-----------|----------------|
| 1 | 012019601 | PUMP CASING | 1 | ADC | | |
| 2 | 011279701 | SUCTION FLANGE | 1 | ADC | | FOR SE/SEH-80X |
| 3 | 011279901 | CHECK VALVE | 1 | NBR | | |
| 4 | 011807802 | 20A PLUG SET | 1 | | | |
| 5 | 011807901 | 25A PLUG SET | 1 | | | |
| 6 | 011526902 | FLANGE BRACKET | 1 | ADC | | |
| 7 | 011437902 | VOLUTE CASING | 1 | FC-20 | | |
| 8 | 011661701 | IMPELLER | 1 | FC | | |
| 9 | 011057004 | DELIVERY FLANGE | 1 | ADC MARK | | |
| 10 | 012820801 | BASE SET | 1 | | | |
| 11 | 011551001 | INPELLER ADJUSTING WASHER | 3 | BSP | | |
| 12 | 011058402 | DELIVERY FLANGE PACKING | 1 | CR | | |
| 13 | 011666101 | ENGINE | 1 | HONDA GX160K1WBT | | |
| 14 | 012006201 | MECHANICAL SEAL | 1 | HJ-20(B) | 66BAHT | |
| 15 | 011702802 | COUPLING SET | 2 | ABS | | |
| 16 | 011437502 | COUPLING | 2 | ABS | | |
| 17 | 011030105 | HOSE NIPPLE | 2 | ABS | | |
| 18 | 011437801 | COUPLING PACKING | 2 | NBR | | |
| 19 | 940019090 | HOSE BAND | 3 | | φ 90 | |
| 20 | 011819501 | STRAINER SET | 1 | PP | | |
| 21 | 012080701 | NAME PLATE | 1 | | | |
| 22 | 011501501 | O-RING | 1 | NBR | 1517-46.5 | |
| 23 | 011398901 | O-RING | 1 | NBR | P74 | |
| 24 | 743119061 | HEXAGON BOLT | 7 | SWRM | M10X25 | |
| 25 | 743119063 | HEXAGON BOLT | 4 | SWRM | M10X30 | |
| 26 | 743119053 | HEXAGON BOLT | 4 | SWRM | M8X40 | |
| 27 | 735719148 | HEXAGON BOLT | 4 | | M8X20 | |
| 28 | 734532066 | HEXAGON SOCKET BOLT | 4 | SCM | M8X25 | |
| 29 | 827419008 | HEXAGON NUT | 8 | SWRM | M8 | |
| 30 | 854255008 | SEAL WASHER | 4 | | φ 8 | |

◆ Bare engine can not be supplied

SEH-80X



DWG No. 066851809 MODEL:SEH-80X FORM:SEH-80X-BDQ-1

| No. | PARTS CODE | PARTS NAME | QTY | MATERIAL | SIZE | REMARKS |
|-----|------------|---------------------|-----|----------|------|---------|
| 31 | 011734501 | CUSHION RUBBER SET | 1 | 50L | | |
| 32 | 011051502 | CUSHION RUBBER | 4 | F-23 | | |
| 33 | 846007008 | WASHER | 1 | | φ 8 | |
| 34 | 843822008 | SPRING WASHER | 1 | | φ 8 | |
| | 012024301 | PACKING CASE | 1 | | | |
| | 012045801 | OPERATION MANUAL | 1 | | | |
| | 012045904 | SPECIFICATION SHEET | 1 | | | |

◆ Bare engine can not be supplied