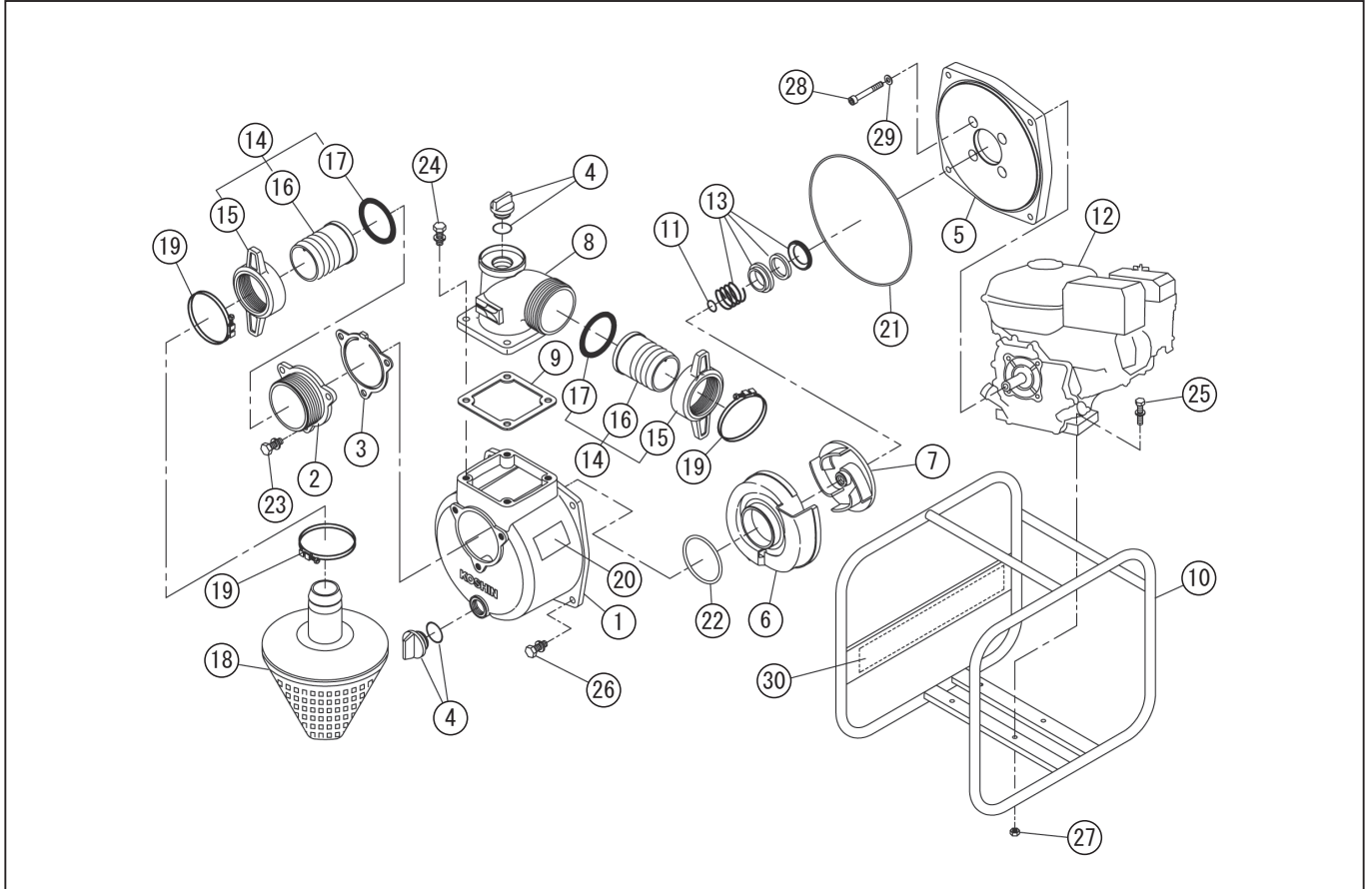


DWG No.012924001 MODEL : SEH-50X FORM : SEH-50X-BFY-0

No.	PARTS CODE	PARTS NAME	QTY	MATERIAL/SIZE	REMARKS
1	0120195	PUMP CASE	1	ADC "MADE IN JAPAN"	
2	0112662	SE-50X SUCTION FLANGE	1	ADC	
3	0112665	CHECK VALVE	1	NBR	
4	0118078	20A PLUG SET	2		
5	0121226	SEV-50X FLANGE BRACKET	1	ADC	
6	0120933	VOLUTE CASING	1	FC	
7	0121227	IMPELLER	1	FC	
8	0110556	DELIVERY FLANGE	1	ADC	
9	0110541	FLANGE PACKING	1		
10	0127048	BASE SET	1	NO.519	
11	0110491	IMPELLER ADJUSTING WASHER	3	BSP	
12	0122194	GX160H1-WMKK ENGINE	1		
13	0110664	SE-80L MECHANICAL SEAL	1	φ 2 0	
14	0117026	COUPLING SET	2	ABS	
15	0113390	COUPLING	2	ABS	
16	0110356	NIPPLE	2	ABS	
17	0113391	COUPLING PACKING	2	NBR	
18	0121258	STRAINER SET	1	PP	
19	940019060	HOSE BAND	3	φ 6 0	
20	0122213	NAME PLATE	1		
21	0115014	O-RING 1517-42.5	1	1517-42.5 NBR	
22	0112792	O-RING	1	P54 NBR	
23	743119045	BOLT	3	M 8 × 2 0 SWRM	
24	743119047	BOLT	4	M8×25 SWRM	
25	743119051	BOLT	4	M 8 × 3 5 SWRM	
26	743119046	BOLT	4	M 8 × 2 2 SWRM	
27	827419008	NUT	4	M8	
28	734532076	SOCKET BOLT	4	M8×60 SCM CS	
29	854255008	SEAL WASHER	4	φ8	
30	0120428	SIDE PANEL LABEL	1		

◆ Bare engine can not be supplied



DWG No.012924001 MODEL : SEH-50X FORM : SEH-50X-BFY-0

No.	PARTS CODE	PARTS NAME	QTY	MATERIAL/SIZE	REMARKS
	0122214	PACKING CASE	1		
	0120474	OPERATION MANUAL(SE)	1		
	0122215	MANUAL (SPEC)	1		

◆ Bare engine can not be supplied