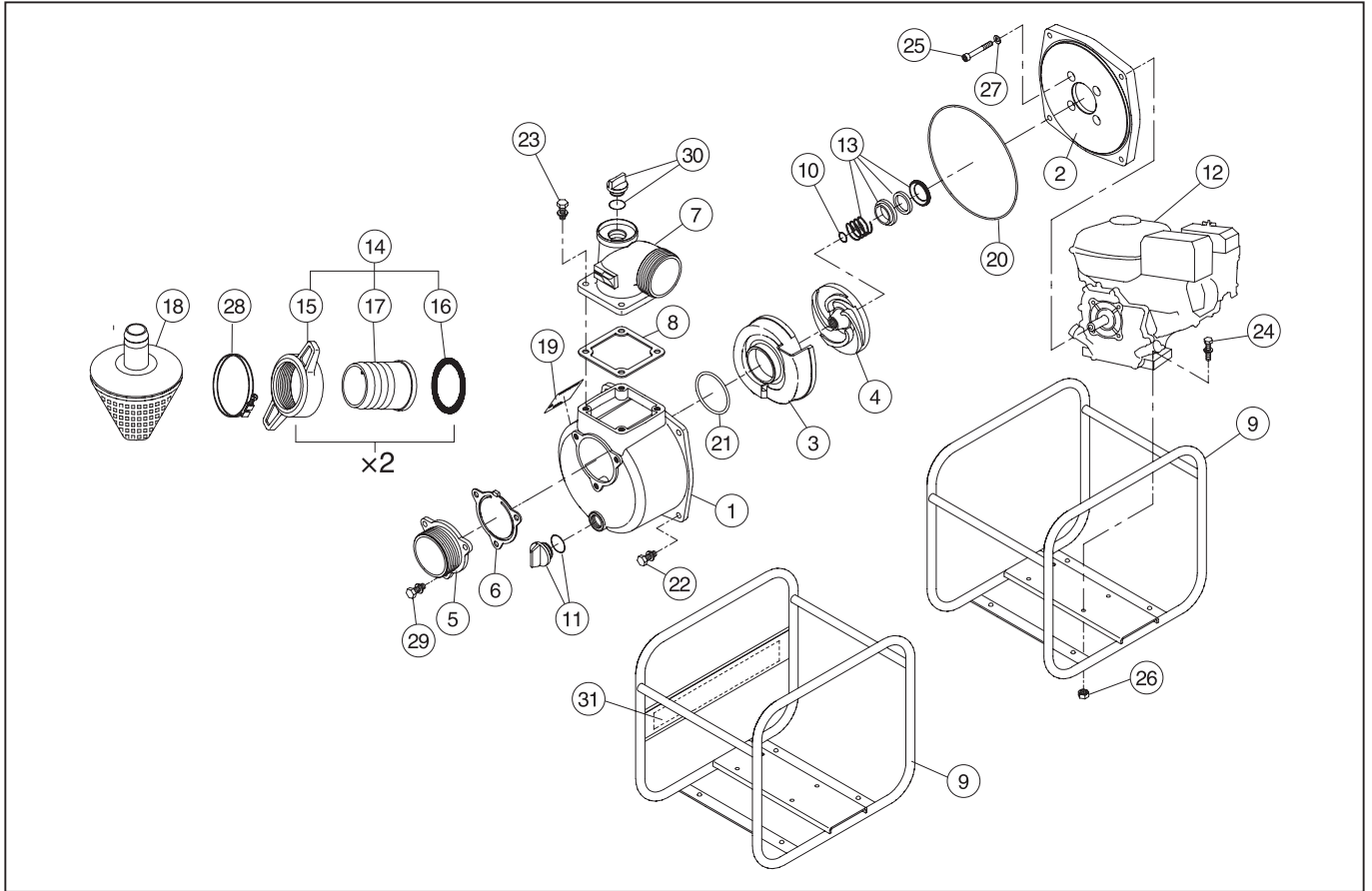


# SEH-50X

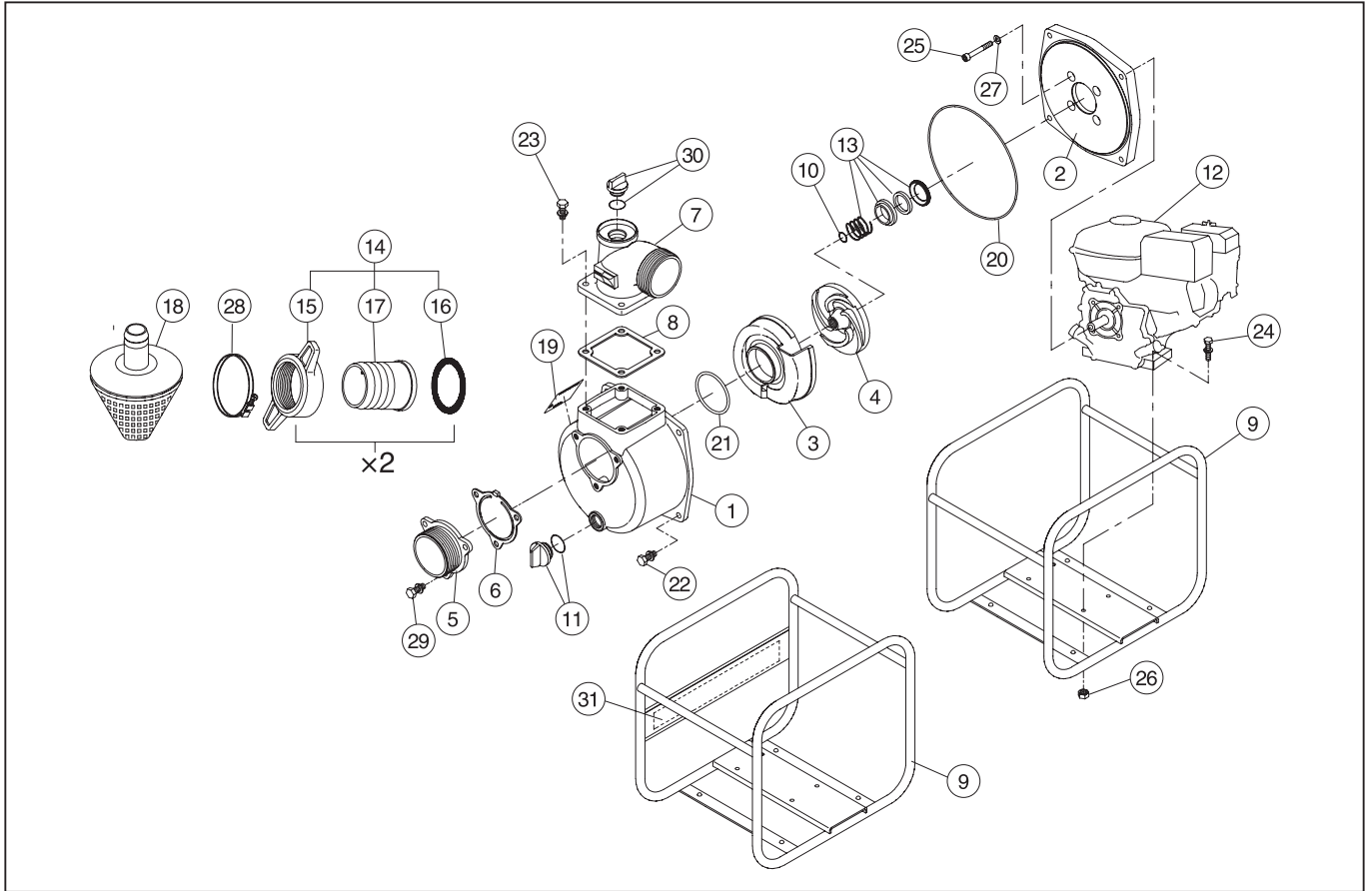


DWG No. 066861401 MODEL:SEH-50X FORM:SEH-50X-BFQ

No.	PARTS CODE	PARTS NAME	QTY	MATERIAL	SIZE	REMARKS
1	012019501	Pump Casing	1	ADC	(0112578)	
2	011526802	Flange Bracket	1	ADC		
3	011464001	Volute Casing	1	FC-20		
4	011661601	Impeller	1	FC-20		
5	011266203	Suction Flange	1	ADC		
6	011266501	Check Valve	1	NBR		
7	011055605	Delivery Flange(High)	1	ADC		
7	011462802	Delivery Flange(Low)	1	ADC		
8	011054102	Flange Packing	1	CR		
9	012820101	Base Set(Black)	1			
9	012813401	Base Set(Orange)	1			
9	012829901	Base Set(Side Panel)	1			
11	011807802	20A Plug Set	1			
12	-----	Engine	1	HONDA GX120K1WBTR8		
13	012006201	Mechanical Seal	1	HJ-20(B)	66BAHT	
14	011702602	Coupling Set	2	ABS		
15	011339002	Coupling	2	ABS		
16	011339101	Coupling Packing	2	NBR		
17	011035605	Nipple	2	ABS		
18	011815901	Strainer Set	1	PP		
19	012123301	Name Plate	1			
20	011501401	O-Ring 1517-42.5	1	NBR	1517-42.5	
21	011279201	O-Ring P54	1	NBR	P54	
22	743119046	Bolt M8X22	4	SWRM	M8X22	
23	743119047	Bolt M8X25	4	SWRM	M8X25	
24	743119051	Bolt M8X35	4	SWRM	M8X35	
25	734532066	Hexagon Socket Bolt M8x25	4	SCM	M8X25	
26	827419008	Nut M8	4	SWRM	M8	
27	854255008	Seal Washer $\phi$ 8	4		$\phi$ 8	
28	940019060	Hose Band $\phi$ 6	3		$\phi$ 60	

◆ Bare engine can not be supplied

# SEH-50X



DWG No. 066861401 MODEL:SEH-50X FORM:SEH-50X-BFQ

No.	PARTS CODE	PARTS NAME	QTY	MATERIAL	SIZE	REMARKS
29	743119045	Bolt M8X20	3	SWRM	M8X20	
30	011807802	20A Plug Set	1			
31	012121901	Side Panel Label	1			

◆ Bare engine can not be supplied