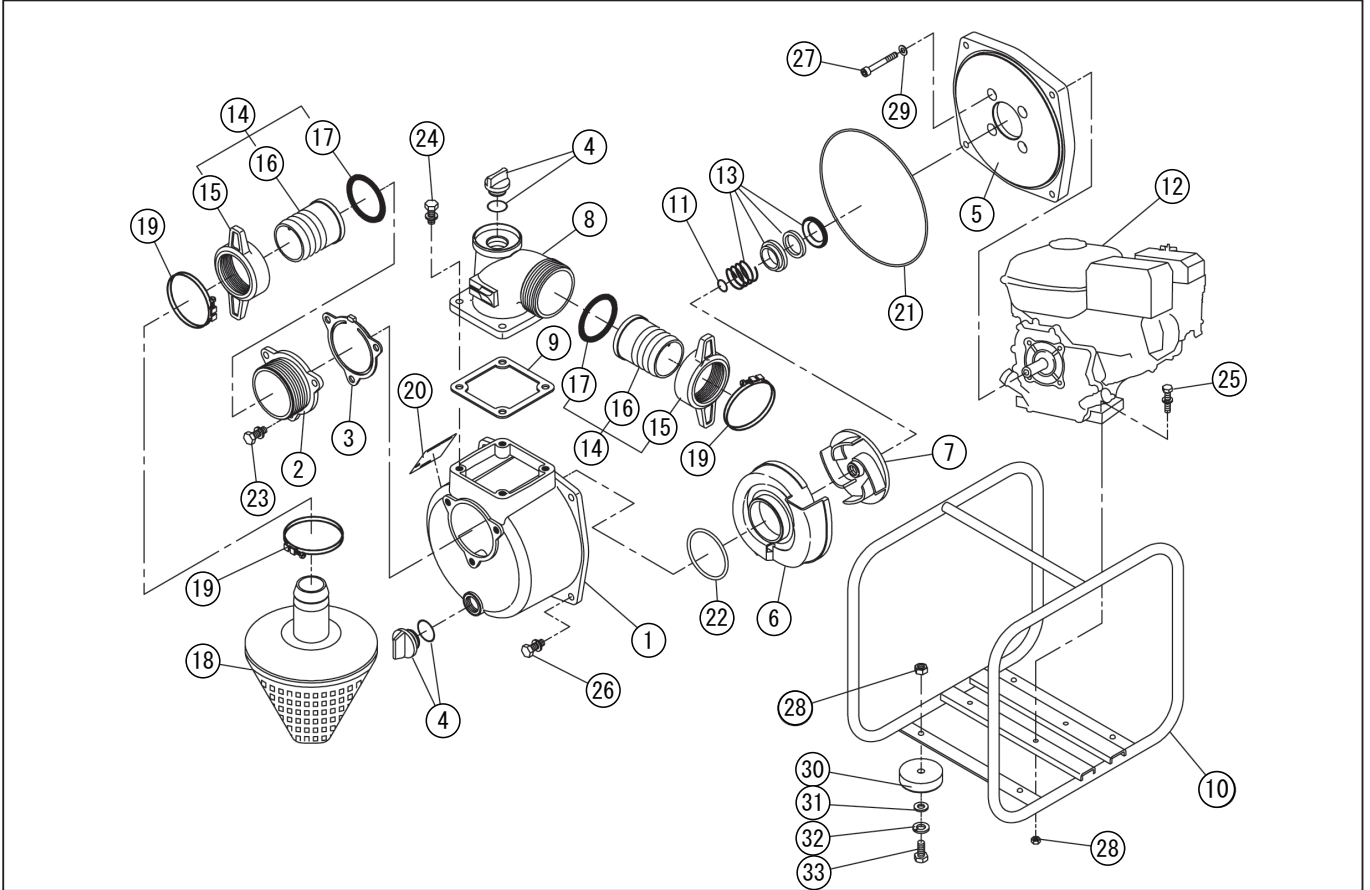


DWG No.066852413 MODEL : SEH-50X FORM : SEH-50X-BEJ-2

No.	PARTS CODE	PARTS NAME	QTY	MATERIAL/SIZE	REMARKS
1	0120195	PUMP CASING	1	ADC	
2	0112662	SUCTION FLANGE	1	ADC	
3	0112665	CHECK VALVE	1	NBR	
4	0118078	20A PLUG SET	2		
5	0115268	FLANGE BRACKET	1	ADC 生地	
6	0114640	VOLUTE CASING	1	FC-20	
7	0116616	IMPELLER	1	FC-20	
8	0110556	DELIVERY FLANGE	1	I=0.63 S=0.38	
9	0110541	DELIVERY FLANGE PACKING	1	CR 70 °	
10	0128235	BASE SET	1		
11	0115510	IMPELLER ADJUSTING WASHER	3	BSP T0.3	
12	0116802	ENGINE	1	HONDA GX120UT2WKS	
13	0120062	MECHANICAL SEAL	1	HJ-20(B)	
14	0117026	COUPLING SET	2		
15	0113390	COUPLING	2	ABS	
16	0110356	HOSE NIPPLE	2	ABS	
17	0113391	COUPLING PACKING	2	NBR	
18	0118159	STRAINER SET	1	PP	
19	940019060	HOSE BAND	3	φ 60	
20	0116815	NAME PLATE	1	CE	
21	0115014	O-RING	1	1517-42.5 NBR	
22	0112792	O-RING	1	P54 NBR	
23	743119045	HEXAGON BOLT	3	M8X20 SWRM	
24	743119047	HEXAGON BOLT	4	M8X25 SWRM	
25	743119051	HEXAGON BOLT	4	M8X35 SWRM	
26	743119046	HEXAGON BOLT	4	M8X22 SWRM	
27	734532066	HEXAGON SOCKET BOLT	4	M8X25 SCM	
28	827419008	HEXAGON NUT	8	M8 SWRM	
29	854255008	SEAL WASHER	4	φ 8	
30	0110515	CUSHION LUBBER	4	F-23	

◆ Bare engine can not be supplied



DWG No.066852413 MODEL : SEH-50X FORM : SEH-50X-BEJ-2

No.	PARTS CODE	PARTS NAME	QTY	MATERIAL/SIZE	REMARKS
31	846007008	WASHER	4	φ 8	
32	843822008	SPRING WASHER	4	φ 8	
33	735719148	HEXAGON BOLT	4	M8X20	
	0116814	PACKING CASE	1		

◆ Bare engine can not be supplied