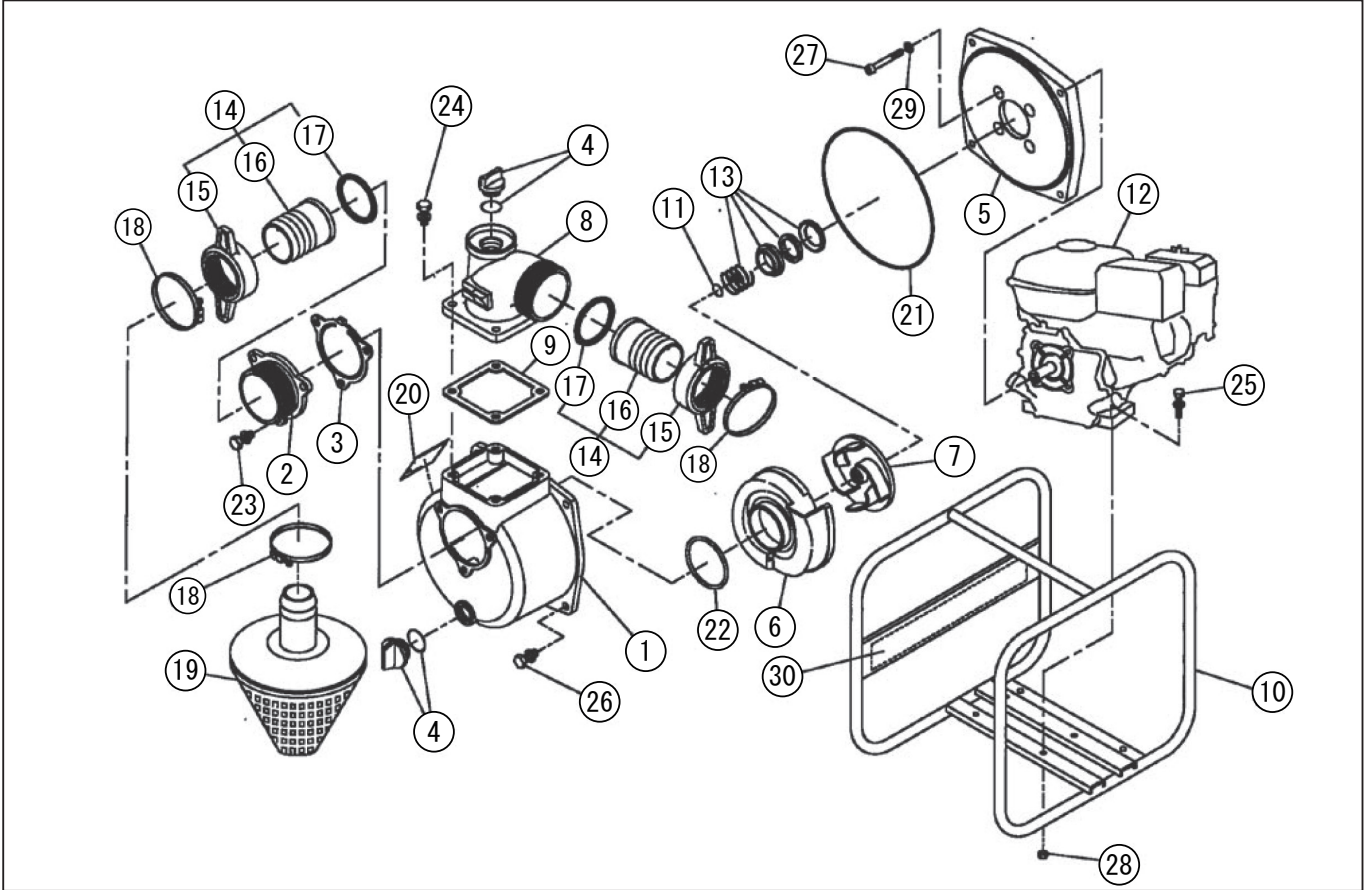


DWG No.011933226 MODEL:SEH-50X FORM:SEH-50X-BAE-4

No.	PARTS CODE	PARTS NAME	QTY	MATERIAL/SIZE	LIST PRICE	REMARKS
1	012019502	PUMP CASING	1	ADC "MADE IN JAPAN"	5,500	
2	011266203	SUCTION FLANGE	1	ADC	1,300	
3	011266501	CHECK VALVE	1	NBR	700	
4	011807802	20A PLUG SET	2		300	
5	011257905	FLANGE BRACKET	1	ADC	4,200	
6	011353303	VOLUTE CASING	1	ADC	2,200	
7	011353202	IMPELLER	1	H=19 FC-20	2,100	
8	011462802	DELIVERY FLANGE	1	ADC	2,600	
9	011054102	DELIVERY FLANGE PACKING	1	CR 70 °	300	
10	011797702	BASE SET	1	NO.415	5,600	
11	011046601	IMPELLER ADJUSTING WASHER	3	T=0.3 BSP	100	
12	012054803	ENGINE	1	HONDA GX120T2WMK	-	
13	011068803	MECHANICAL SEAL	1	φ 18 CARBON CERAMIC	2,300	
14	011702603	COUPLING SET	2	ABS	900	
15	011339002	COUPLING	2	ABS	550	
16	011035605	HOSE NIPPLE	2	ABS	250	
17	011339101	COUPLING PACKING	2	NBR	100	
18	940019060	HOSE BAND	3	φ 60	200	
19	011815901	STRAINER SET	1	PP	1,800	
20	011315306	NAME PLATE	1	TFILM	100	
21	011501401	O-RING	1	1517-42.5 NBR	400	
22	011279201	O-RING	1	P54 NBR	200	
23	743119045	HEXAGON BOLT	3	M8X20 SWRM	100	
24	743119046	HEXAGON BOLT	4	M8X22 SWRM	100	
25	743119047	HEXAGON BOLT	4	M8X25 SWRM	100	
26	743119051	HEXAGON BOLT	4	M8X35 SWRM	100	
27	827419008	HEXAGON SOCKET BOLT	4	M8X60 SCM CS	100	
28	734532076	HEXAGON NUT	4	M8 SWRM	100	
29	854255008	SEAL WASHER	4	φ 8	100	
30	012042802	SIDE PANEL LABEL	1		200	

◆ Bare engine can not be supplied



DWG No.011933226 MODEL:SEH-50X FORM:SEH-50X-BAE-4

No.	PARTS CODE	PARTS NAME	QTY	MATERIAL/SIZE	LIST PRICE	REMARKS
	011399009	PACKING CASE	1		1,200	

◆ Bare engine can not be supplied