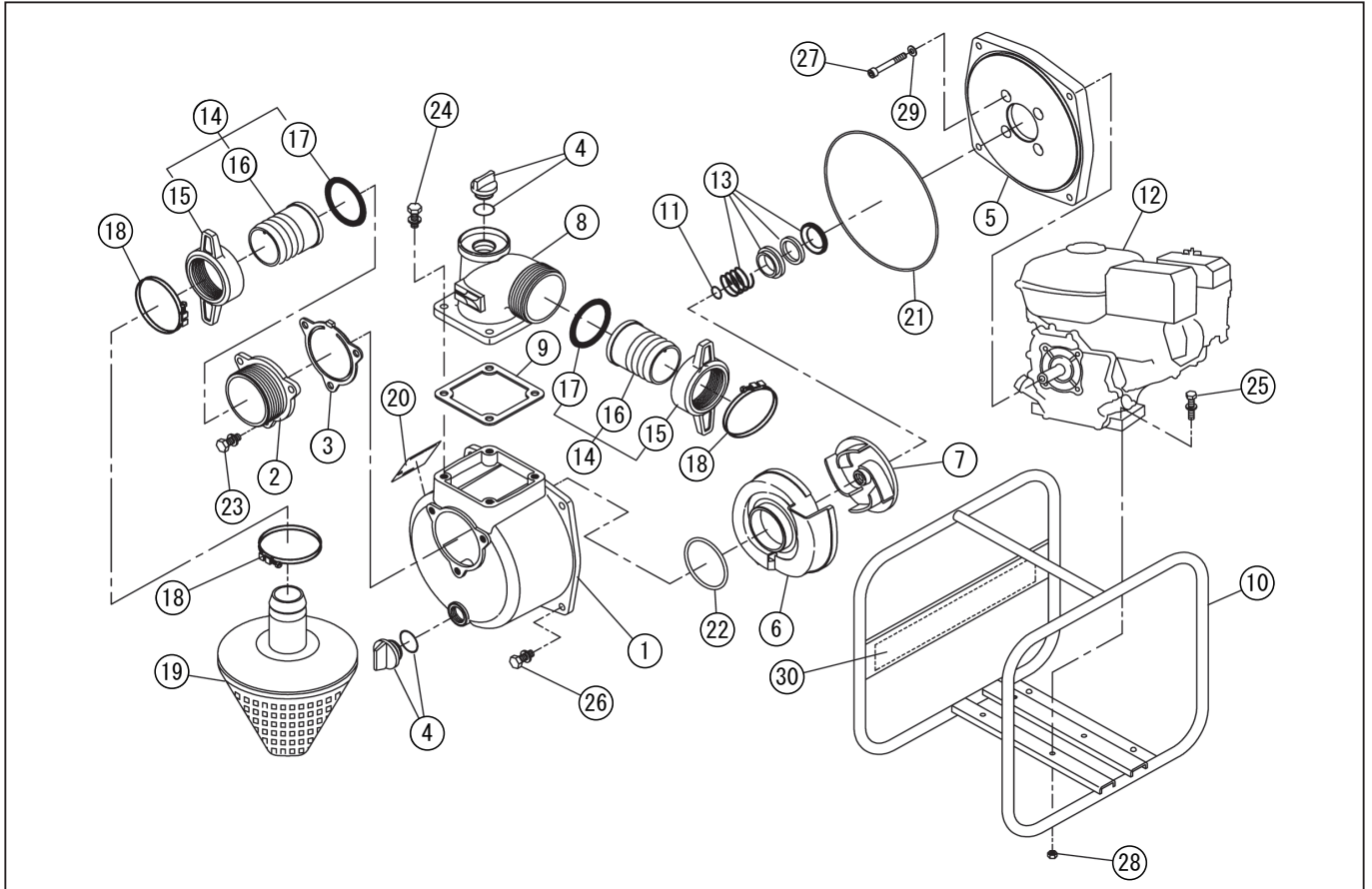


DWG No.011933224 MODELE : SEH-50X FORM : SEH-50X-BAE-2

| No. | PARTS CODE | PARTS NAME                | QTY | MATERIAL/SIZE       | REMARKS             |
|-----|------------|---------------------------|-----|---------------------|---------------------|
| 1   | 0120195    | PUMP CASING               | 1   | ADC "MADE IN JAPAN" |                     |
| 2   | 0112662    | SUCTION FLANGE            | 1   | ADC                 |                     |
| 3   | 0112665    | CHECK VALVE               | 1   | NBR                 |                     |
| 4   | 0118078    | 20A PLUG SET              | 2   |                     |                     |
| 5   | 0112579    | FLANGE BRACKET            | 1   | ADC                 |                     |
| 6   | 0113533    | VOLUTE CASING             | 1   | ADC                 |                     |
| 7   | 0113532    | IMPELLER                  | 1   | H=19 FC-20          |                     |
| 8   | 0114628    | DELIVERY FLANGE           | 1   | ADC                 |                     |
| 9   | 0110541    | DELIVERY FLANGE PACKING   | 1   | CR 70 °             |                     |
| 10  | 0117977    | BASE SET                  | 1   | NO.415              |                     |
| 11  | 0110466    | IMPELLER ADJUSTING WASHER | 3   | T=0.3 BSP           |                     |
| 12  | 0120548    | ENGINE                    | 1   | HONDA GX120K1WMK    |                     |
| 13  | 0110688    | MECHANICAL SEAL           | 1   | φ 18 CARBON CERAMIC |                     |
| 14  | 0117026    | COUPLING SET              | 2   | ABS                 |                     |
| 15  | 0113390    | COUPLING                  | 2   | ABS                 |                     |
| 16  | 0110356    | HOSE NIPPLE               | 2   | ABS                 |                     |
| 17  | 0113391    | COUPLING PACKING          | 2   | NBR                 |                     |
| 18  | 940019060  | HOSE BAND                 | 3   | φ 60                |                     |
| 19  | 0118159    | STRAINER SET              | 1   | PP                  |                     |
| 20  | 0113153    | NAME PLATE                | 1   | TFILM               |                     |
| 21  | 0115014    | O-RING                    | 1   | 1517-42.5 NBR       |                     |
| 22  | 0112792    | O-RING                    | 1   | P54 NBR             | (SAME AS 889855055) |
| 23  | 743119045  | HEXAGON BOLT              | 3   | M8X20 SWRM          |                     |
| 24  | 743119046  | HEXAGON BOLT              | 4   | M8X22 SWRM          |                     |
| 25  | 743119047  | HEXAGON BOLT              | 4   | M8X25 SWRM          |                     |
| 26  | 743119051  | HEXAGON BOLT              | 4   | M8X35 SWRM          |                     |
| 27  | 734532076  | HEXAGON NUT               | 4   | M8 SWRM             |                     |
| 28  | 827419008  | HEXAGON SOCKET BOLT       | 4   | M8X60 SCM CS        |                     |
| 29  | 854255008  | SEAL WASHER               | 4   | φ 8                 |                     |
| 30  | 0120428    | SIDE PANEL LABEL          | 1   |                     |                     |

◆ Bare engine can not be supplied



DWG No.011933224 MODELE : SEH-50X FORM : SEH-50X-BAE-2

| No. | PARTS CODE | PARTS NAME   | QTY | MATERIAL/SIZE | REMARKS |
|-----|------------|--------------|-----|---------------|---------|
|     | 0113990    | PACKING CASE | 1   |               |         |

◆ Bare engine can not be supplied