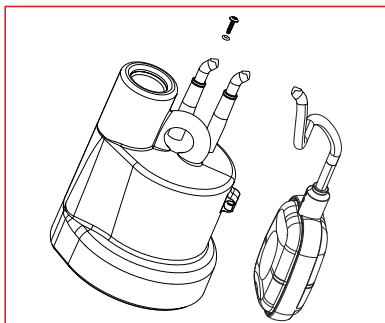
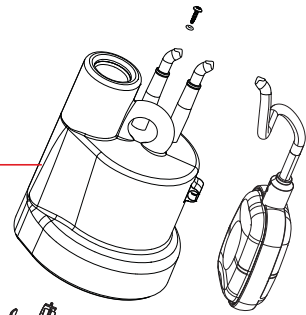


iDIVER-1200

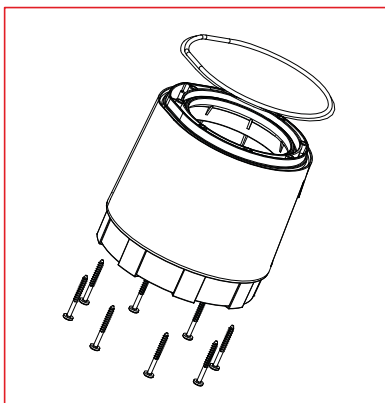
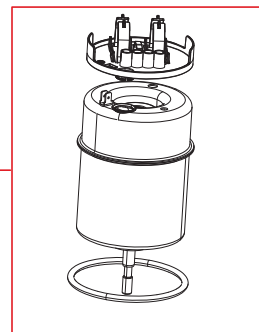


1

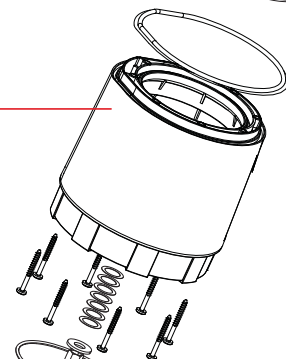
2



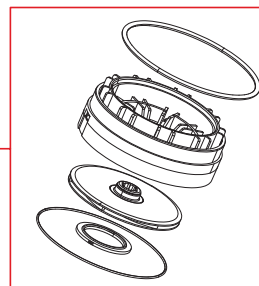
3



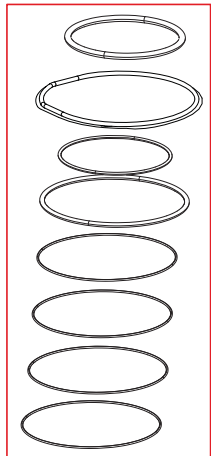
4



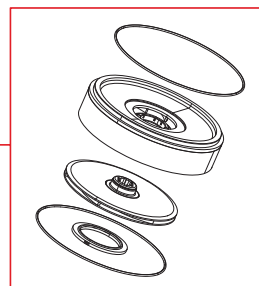
5



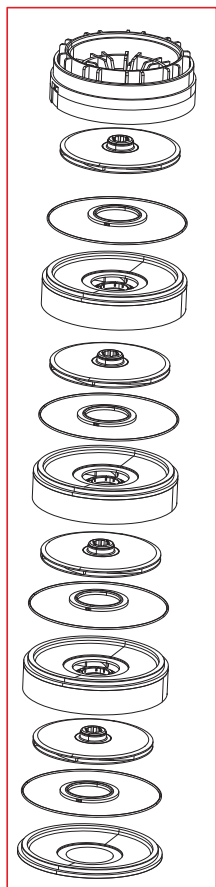
9



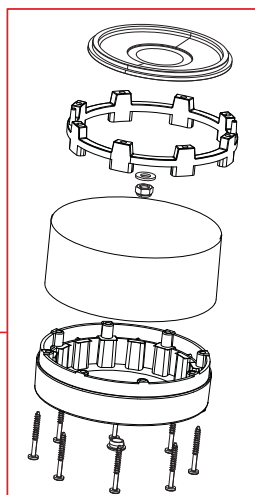
6



8



7



iDIVER-1200

Ref. No.	SP code	SP description	Cant
1	SP00001904X	(SP) PUMP COVER WIRED DEEP 2H PLUG SCHUKO, 0.2	1
2	SPP1360003X	CONDENSATORE 12.5UF V450 DOPPIO FASTON, 0.1.4	1
3	SP60153125X	SPARE PARTS KIT - MOTOR ASS.Y H80 DIVER V230-50Hz W/C AISI30, 0.	1
4	SP00000513X	(SP) PUMP BODY DEEP 3-4I BLU, 0.1.8 (Manufacturing)	1
5	SP60153114X	(SP) GROUP DIFFUSERS SUPPORT DIVERTRON, 0.1.9	1
6	SP60153119X	(SP) DIFFUSER + IMPELLER DIVERTRON, 0.1.8	1
7	SP00000512X	(SP) BASE ECODIVER/DEEP BLU, 0.1.11 (Manufacturing)	1
8	SP60153121X	SPARE PARTS KIT-COMPL. HYDR. KIT DIVERTRON 1200 50Hz-Step 2, 0.1	1