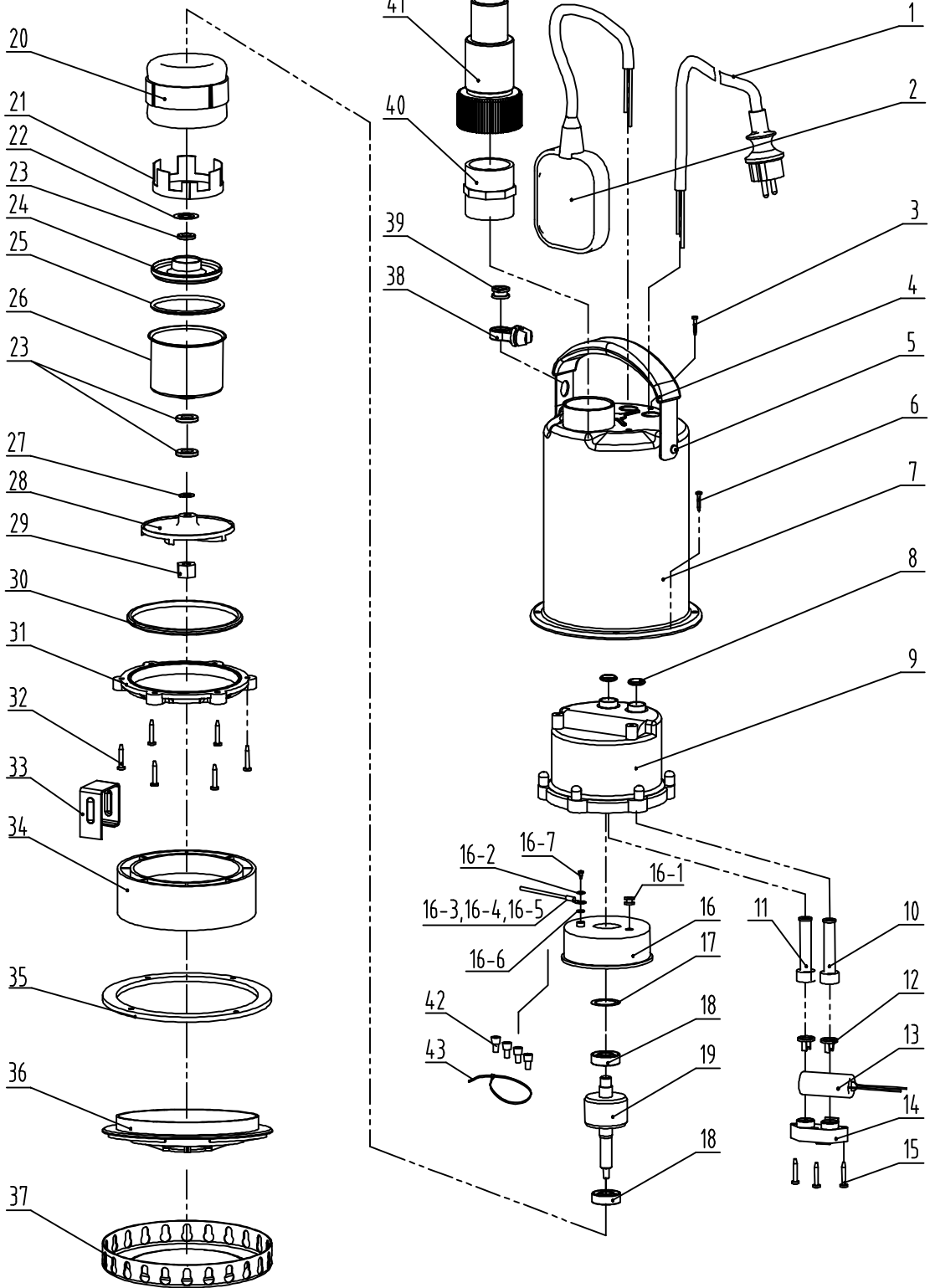


XKS750S



XKS-750S

N.FIGURA	REFERENCIA	D E N O M I N A C I O N	CANTIDAD
1	XKS750SW-2	CABLE CON CONECTOR	1
2	XKS750SW-1	REGULADOR DE NIVEL	1
3	DA11-3	TORNILLO ST 4,2X13	5
4	DA11-4	EMPUÑADURA	1
5	DA11-5	TUERCA M5	2
6	DA11-6	TORNILLO M4X10	4
7	XKS500S-6	CUERPO INOX	1
8	DA11-8	JUNTA TORICA D14x2,65	2
9	DH-47	CUERPO SUPERIOR BOMBA	1
10	XKS500S-13	GUIA	1
11	DH-006	GUIA	1
12	DH-069	BLOQUEADOR CABLE	1
12	DH-007	BLOQUEADOR CABLE	1
13	XKS500S-11	CONDENSADOR 8 MF	1
14	XKS750SW-15	CLIP CONDENSADOR	1
15	DH-132	VASTAGO	3
16	DH-013	CUERPO SUPERIOR	1
16-1	DH-128	WIRE SHEATH	1
16-2	GB93-4	ARANDELA MUELLE D4	1
16-3	DH-015	CABLE AMARILLO/VERDE	1
16-4	DH-016	LUG PLATE	1
16-5	DH-133	TUBO	1
16-6	DH-085	ARO	1
16-7	DH-018	TORNILLO	1
17	DH-085	ARO	1
18	DH-019	RODAMIENTO 6201-2RS	2
19	XKS750S-21	EJE-ROTOR	1
20	XKS750S-38	ESTATOR	1
21	DH-199	CUERPO INFERIOR	1
22	DH-023	ARANDELA	1
23	DA11-18	ANILLOS DE CIERRE	3
23	XKS500S-36	SELLO MECANICO	1
24	DH-025	ALUMINUM BUSH	1
25	DH-026	JUNTA TORICA	1
26	--	SOPORTE INFERIOR MOTOR NO SUMINISTRABLE PEDIR XKS550S-KM	1
27	DA11-31	ARANDELA AJUSTE Ø20X8,2XH1	1
27	DA11-32	ARANDELA AJUSTE Ø20X8,2XH0,5	1
28	XKS750S-37	RODETE	1
29	DH-032	TUERCA	1
30	DH-028	JUNTA TORICA	1
31	XKS500S-40	ARO	1
32	XKS500S-41	TORNILLO ST4,2X32	6
33	DH-198	SOPORTE	1
34	DA11-39	ARO ORIENTADOR	1
35	XKS500S-42	JUNTA PLANA	1
36	XKS500S-43	BASE	1

37	XKS500S-44	REJILLA	1
38	DH-196	PASACABLES	1
39	DH-197	BRIDA FIJACION CABLE	1
40	XKS500S-27	RACOR	1
41	XKS500S-25	TOMA MANGUERA	1
42	DH-009	TORNILLO NYLON	2
42	DH-010	TORNILLO NYLON	3
43	DH-012	SOPORTE	1
	XKS750S-KM	KIT MOTOR	1

37	XKS500S-44	REJILLA	1
38	DH-196	PASACABLES	1
39	DH-197	BRIDA FIJACION CABLE	1
40	XKS500S-27	RACOR	1
41	XKS500S-25	TOMA MANGUERA	1
42	DH-009	TORNILLO NYLON	2
42	DH-010	TORNILLO NYLON	3
43	DH-012	SOPORTE	1
	XKS750S-KM	KIT MOTOR	1

XKS-750S

N.FIGURA	REFERENCIA	D E N O M I N A C I O N	CANTIDAD
1	XKS500S-22	EMPUNADURA	1
2	XKS500S-3	BRIDA	1
3	XKS500S-1	TORNILLO M5X10	1
4	XKS500S-2	PASACABLES	1
5	XKS500S-4	CABLE CON CONECTOR	1
6	XKS750SW-1	REGULADOR DE NIVEL	1
7	XKS750S-6	CUERPO INOX	1
8	XKS500S-7	TORNILLO M4X12	4
9	XKS500S-50	JUNTA TORICA D15x2,65	2
10	XKS500S-10	CUERPO SUPERIOR BOMBA	1
11	XKS500S-12	PASACABLES	2
12	XKS500S-13	GUIA	2
13	XKS750SW-15	CLIP CONDENSADOR	1
14	XKS500S-15	ARANDELA	3
15	XKS500S-51	CONECTOR	1
16	XKS500S-17	VASTAGO	3
17	XKS500S-52	CONECTOR	2
18	XKS500S-18	CUERPO SUPERIOR	1
19	XKS500S-19	ARANDELA	1
20	XKS500S-20	RODAMIENTO 6201-2RZ	2
21	XKS750S-21	EJE-ROTOR	1
22	XKS500S-28	TUERCA M5	2
23	XKS500S-23	TORNILLO M5X8	3
24	XKS500S-24	ESCUADRA	2
25	XKS500S-25	TOMA MANGUERA	1
26	XKS500S-26	JUNTA TORICA	2
27	XKS500S-27	RACORD	1
28	XKS500S-29	TORNILLO ST4,7X16	3
29	XKS750S-11	CONDENSADOR	1
30	XKS500S-53	TORNILLO M4X6	2
31	XKS500S-54	ARANDELA	2
32	XKS500S-55	CONECTOR	2
33	XKS500S-56	ARANDELA DE BLOQUEO	2
34	XKS500S-57	PASACABLES	1
35	XKS500S-58	CIRCLIP PARA EJE	2
36	XKS500S-59	ARANDELA DE AJUSTE	1
37	XKS253P-15	ARO DE CIERRE	1
38	XKS750S-38	ESTATOR	1
39	XKS500S-36	CIERRE MECANICO	1
40	XKS750S-37	RODETE	1
41	XKS500S-38	TUERCA M8	1
42	XKS750SW-39	JUNTA TORICA D90X4,4	1
43	XKS500S-40	CUERPO	1
44	XKS500S-60	ARANDELA	6
45	XKS500S-41	TORNILLO	6
46	XKS500S-61	SOPORTE BOMBA	1
47	XKS500S-42	JUNTA	1
48	XKS500S-43	BASE	1
49	XKS500S-44	REJILLA	1