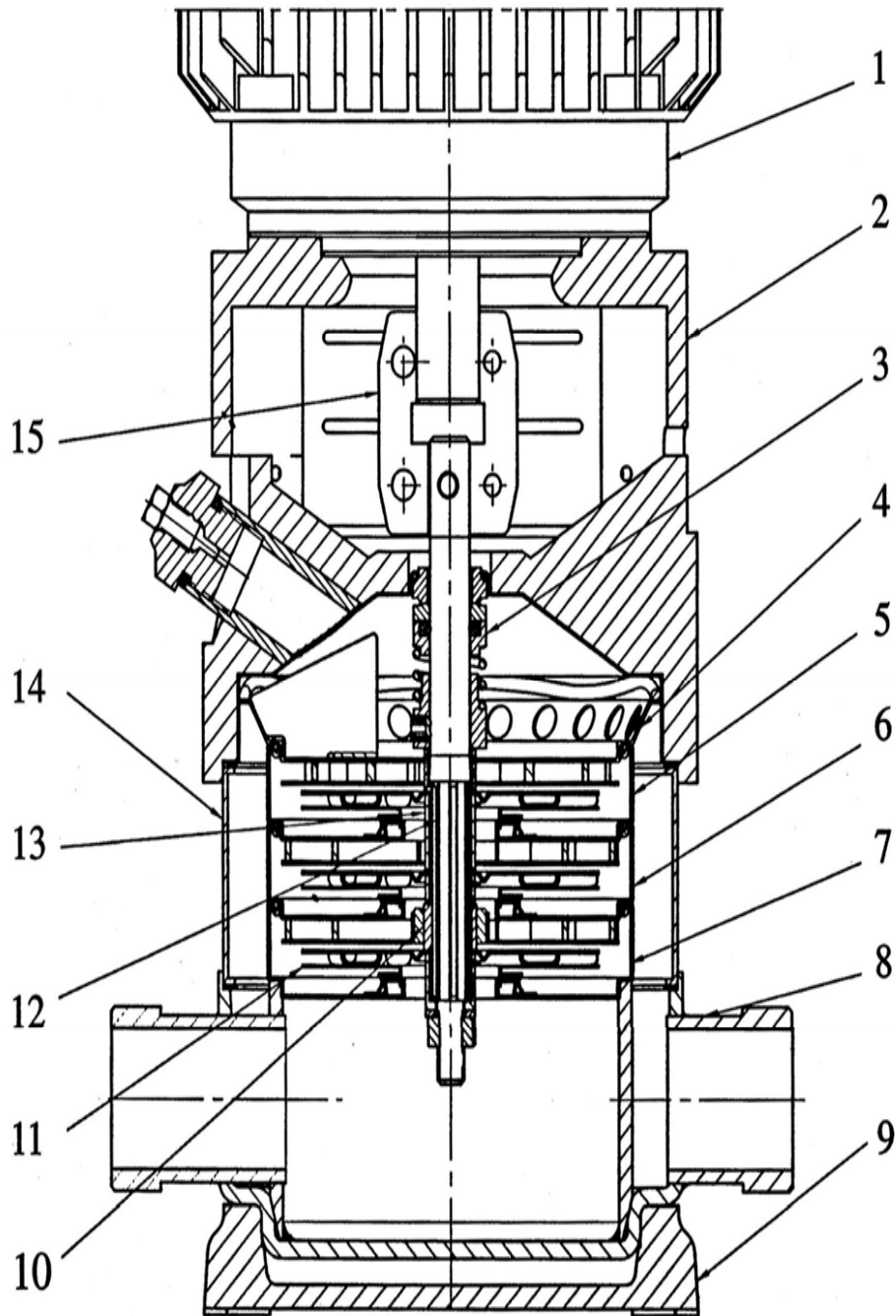


VS 2-26



10/10/2007

KW 3



| Pos. | Code | Description | |
|------|---------|----------------------------|--|
| 1 | 8101022 | Electric motor three phase | |
| 2 | 8101323 | Pump head | |
| 3 | 8101081 | Mechanical seal | |
| 4 | 8101098 | Superior diffuser | |
| 5 | 8101062 | Diffuser | |
| 6 | 8101088 | Inferior diffuser | |
| 7 | 8101370 | Inducer | |
| 8 | 8101380 | Inlet and outlet section | |
| 9 | 8101390 | Base frame | |
| 10 | 8101400 | Bearing | |
| 11 | 8101052 | Impeller | |
| 12 | 8101122 | Shaft | |
| 13 | 8101410 | Impeller separating sleeve | |
| 14 | 8101138 | Cylinder | |
| 15 | 8101291 | Coupling | |
| | 8101310 | Counterflange | |
| | 8101276 | Rubber parts | |
| | 8101426 | Tie rods | |