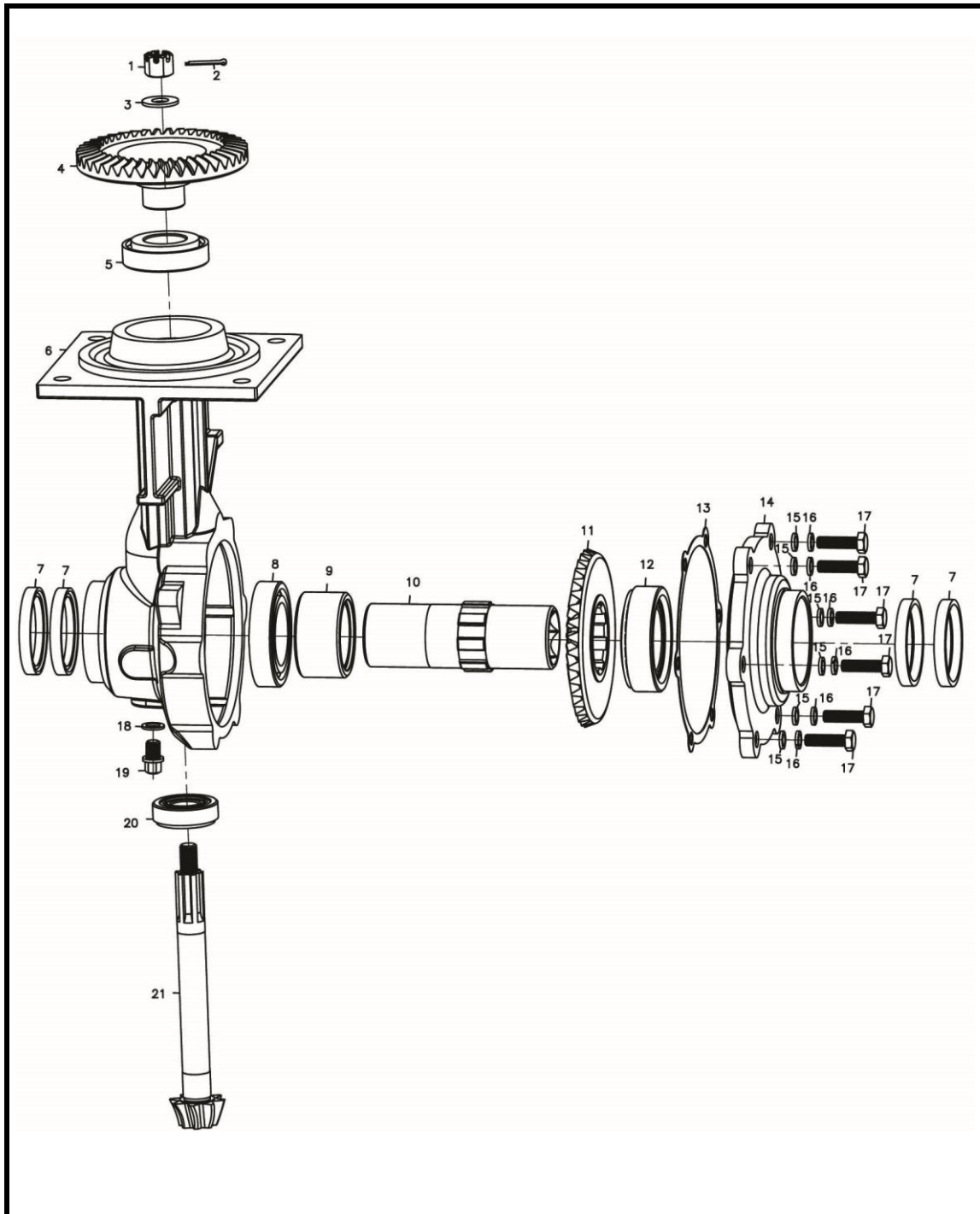


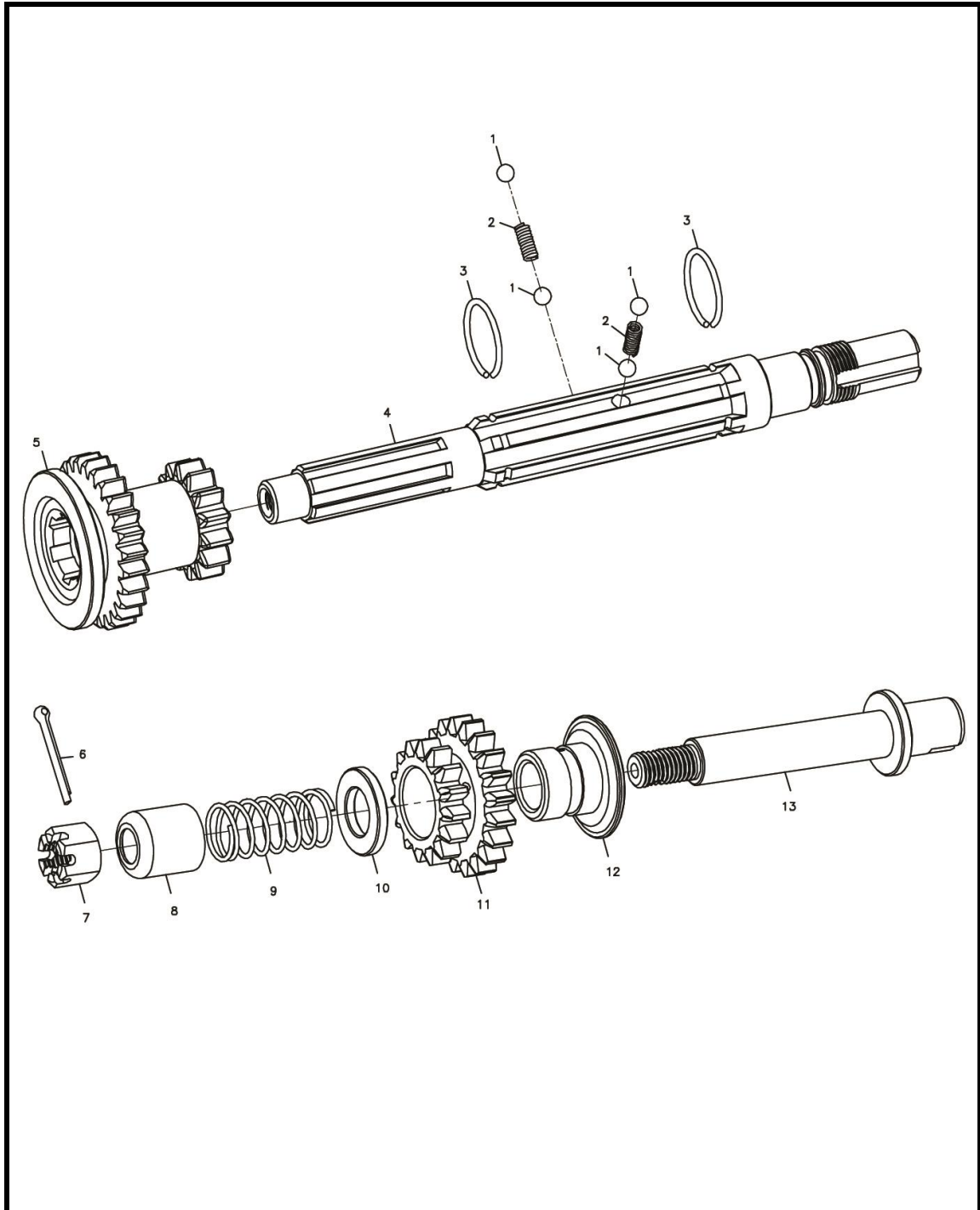


# TM900G





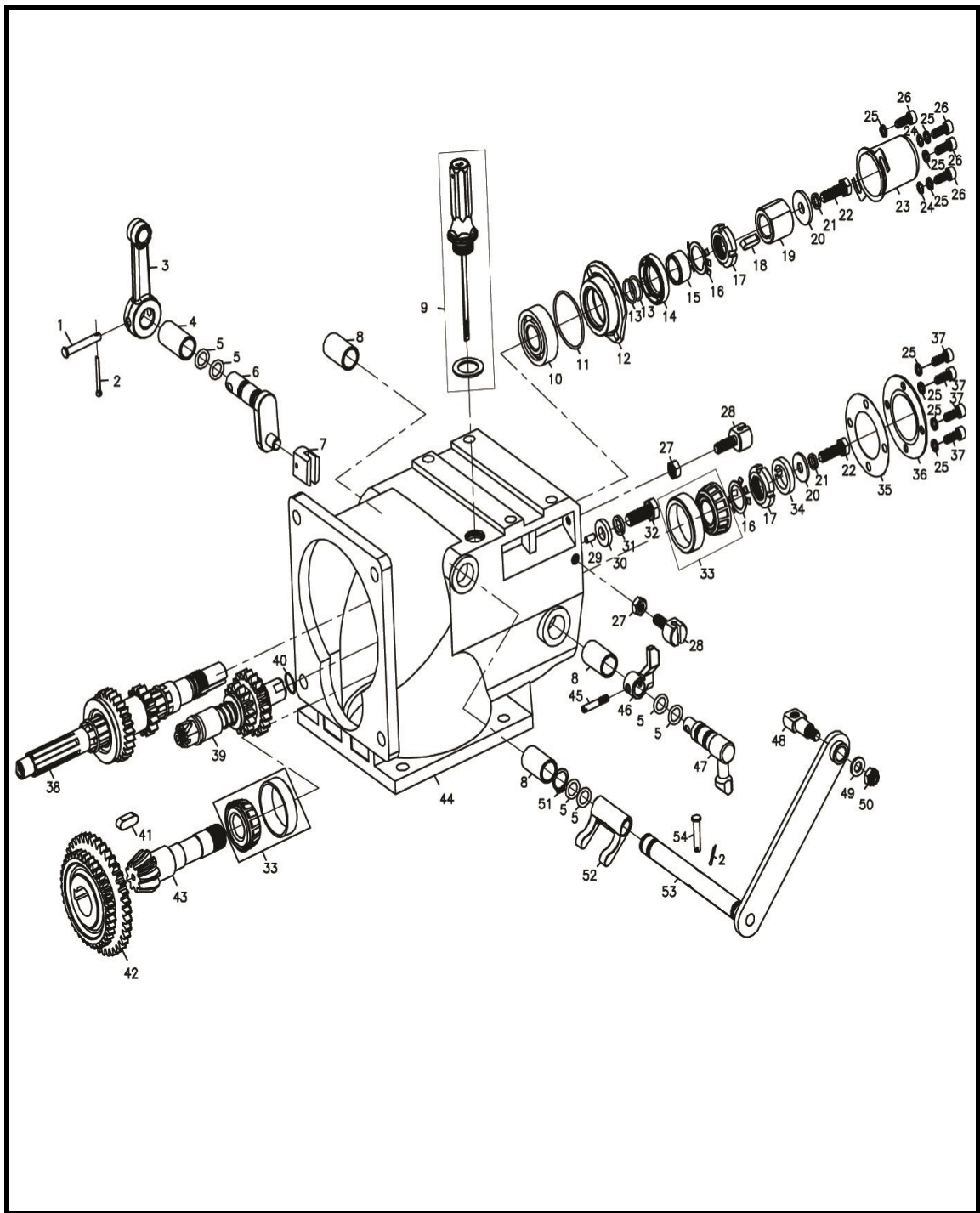
# TM900G



# TM900G

NO.	REFERENCIAS	Description	Descripción	(Reqd. QTY)
1	380610177-0001	PIN 6x41	Pin 6x41	1
2	380590010-0003	PIN 1.6x20	Pin 1,6x20	2
3	192430016-0001	SHIFT ARM	Biela	1
4	380822344-0001	BUSH $\phi$ 16x $\phi$ 20x36	Cojinete	1
5	380840789-0001	AIRPROOF CIRCLE	Junta tórica	6
6	195300003-0001	SHIFT CAM	eje leva	1
7	192370011-0001	SHIFT DIAL	acople	1
8	380822418-0001	BUSH $\phi$ 16x $\phi$ 20x32	Cojinete	3
9	110690053-0001	DIPSTICK	Nivel aceite	1
10	380630005-0001	BEARING 6204 GB/T276	Rodamiento 6204	1
11	380840791-0001	AIRPROOF CIRCLE	Junta tórica	1
12	195190003-0001	SEAL SEAT	Platina	1
13	380840788-0001	AIRPROOF CIRCLE	Junta tórica	2
14	380650349-0001	OIL SEAL 25x40x7	Anillo Retencion aceite 25x40x7	1
15	380822345-0001	BUSH $\phi$ 20x $\phi$ 25.2x12.8	Cojinete	1
16	380490017-0001	STOP WASHER	Arandela de freno	2
17	380810052-0001	NUT GB/T812 M20x1.5	Tuerca M20x1,5	2
18	380620106-0001	KEY GB/T1096 6x20	Chavera 6x20	1
19	192660002-0001	JACKET	Casquillo	1
20	380450039-0003	WASHER 8	Arandela D8	2
21	380460001-0006	WASHER GB/T93 8	Arandela D8	2
22	380070045-0005	BOLT M8x25	Tornillo M8x25	2
23	141140004-0001	DUSTPROOF CAP	Funda protectora	1
24	380450004-0003	WASHER 6	Arandela D6	2
25	380460003-0003	WASHER 6 GB/T93	Arandela	4
26	380190008-0005	BOLT M6x20	Tornillo M6x20	4
27	380340005-0005	NUT M8	Tuerca M8	2
28	193910016-0001	POTHOOK	Fijador	2

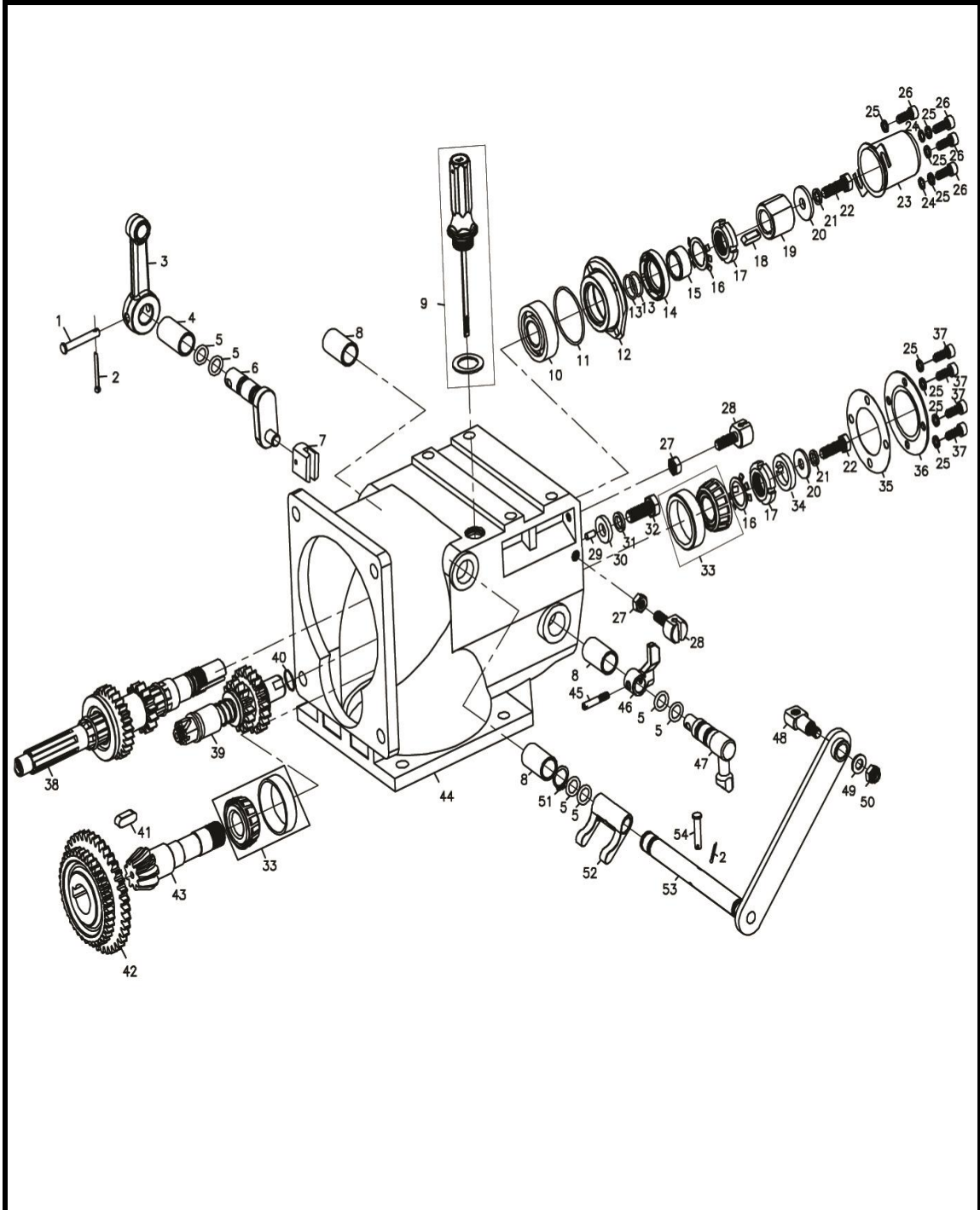
# TM900G



# TM900G

NO.	REFERENCIAS	Description	Descripción	(Reqd. QTY)
29	380600156-0001	PIN $\phi$ 5×10	Pin $\phi$ 5x10	1
30	380450826-0001	WASHER $\phi$ 10.5× $\phi$ 22×4	Arandela	1
31	380460002-0006	WASHER 10	Arandela D10	1
32	380070123-0004	BOLT M10×25	Tornillo M10x25	1
33	380630345-0001	BEARING 30204	Rodamiento 30204	2
34	380520003-0001	WASHER	Arandela	1
35	660310016-0001	GASKET	Junta	1
36	191690003-0001	OIL SEAL COVER	Tapa	1
37	380190005-0006	BOLT M6×16	Tornillo M6x16	4
38	191250082-0001	MAIN SHAFT PARTS	Eje principal	1
39	196180001-0001	REVERSE GEAR SHAFT PARTS	Eje	1
40	380840790-0001	AIRPROOF CIRCLE	Junta tórica	1
41	380620107-0001	KEY 8×20	Chaveta 8x20	1
42	195240005-0001	DOUBLE DRIVEN GEAR	Dobre engranaje	1
43	191400084-0001	DRIVEN SHAFT	Eje	1
44	110180013-0001	WHEEL BOX	Caja engranajes	1
45	380600166-0001	PIN $\phi$ 5×30	PIN $\phi$ 5×30	1
46	192120057-0001	FORK	Soporte	1
47	192130026-0001	FORK SHAFT	Eje soporte	1
48	660190015-0001	SEAT	Asiento	1
49	380450003-0006	WASHER 8	Arandela D8	1
50	380350006-0001	NUT M8	Tuerca M8	1
51	380550031-0001	ELASTICITY CUSHION	Junta	1
52	192120058-0001	FORK	Soporte	1
53	190810055-0001	JOY STICK	Palanca de mando	1
54	380610178-0001	PIN SHAFT 6×28	Eje pin 6x28	1

# TM900G

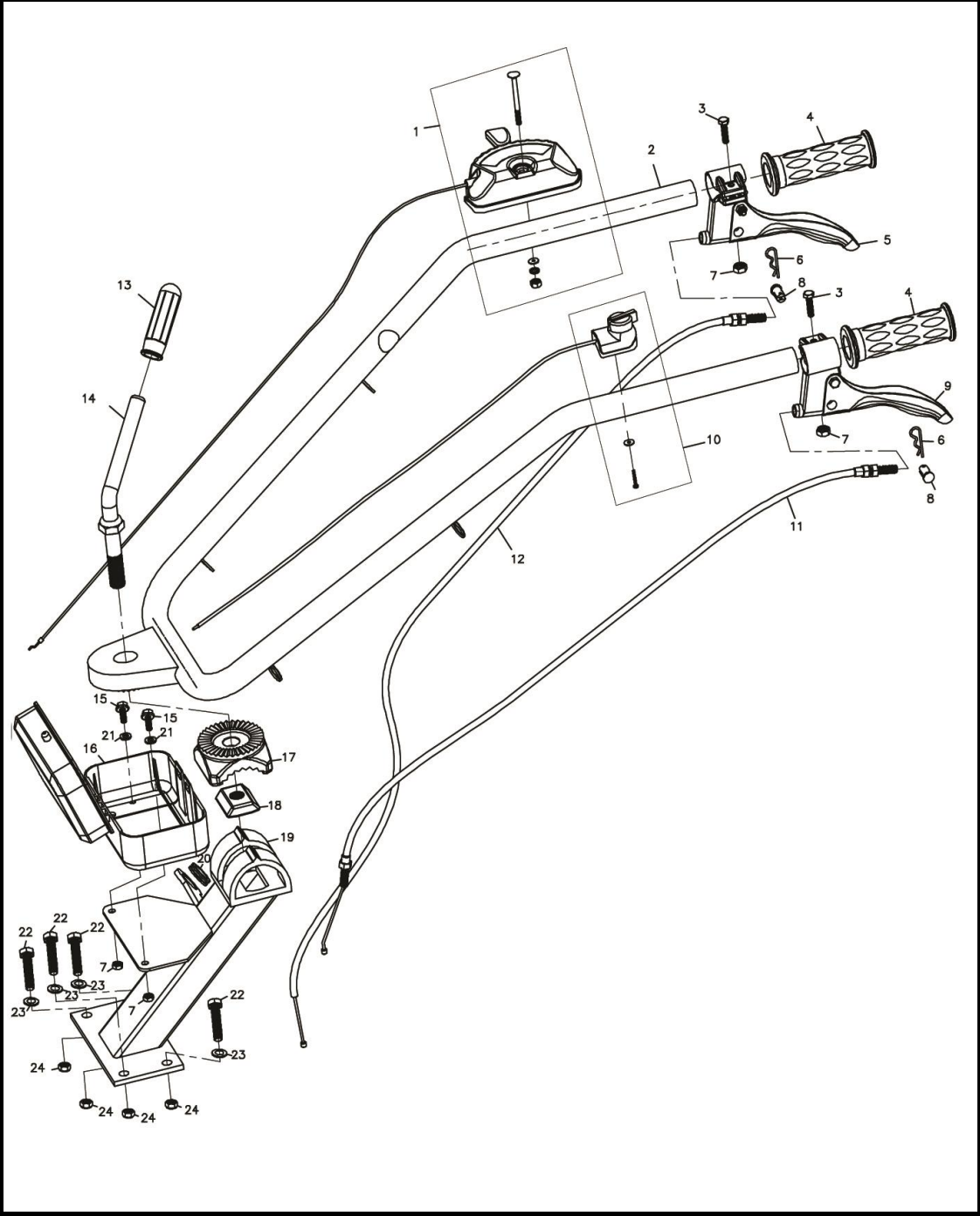




# TM900G

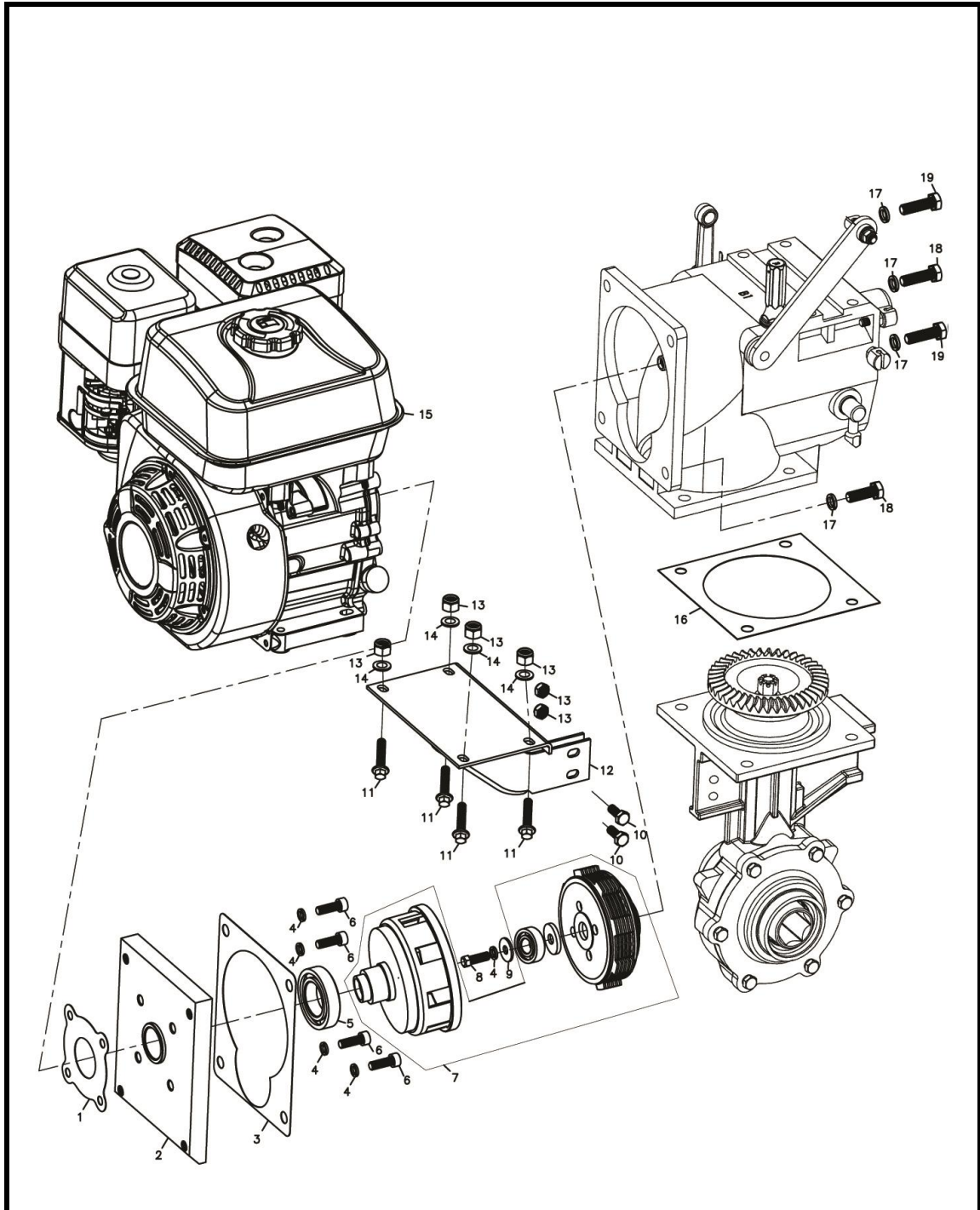
NO.	REFERENCIAS	Description	Descripción	(Reqd. QTY)
1	171210422-0001	ROPE	Soporte-cable	1
2	320400017-0001	MULRIPLA ARMREST	Manillar	1
3	380070014-0006	BOLT M6×25	Tornillo M6x25	2
4	320180196-0001	ARMREST RUBBER HANDLE	Empuñadura	2
5	271710081-0001	RIGHT HANDLE PARTS	Mando	1
6	381350010-0001	PIN, LOCK	Bloqueo eje	2
7	380350003-0002	NUT M6	Tuerca M6	4
8	193910017-0001	POTHOOK	Bloqueo	2
9	271510130-0001	LEFT HANDLE PARTS	Mando	1
10	271660067-0001	SWITCH	Interruptor paro	1
11	320240308-0001	ROPE	cable	1
12	192780004-0001	ROPE	cable	1
13	192490004-0001	HANDLE COVER	Eje bloqueador	1
14	661750002-0001	HANDLE	Empuñadura	1
15	380140013-0005	BOLT, FLANGE M6×16	Tornillo M6X16	2
16	312730107-0001	TOOL BOX	Caja herramientas	1
17	320440001-0001	ADJUSTIVE GEAR DISC	Base manillar ajustable	1
18	271550025-0001	ADJUSTIVE NUT M16	Platina M16	1
19	320050062-0001	JION SEAT	Soporte manillar	1
20	170700122-0001	SHOCK ABSORPTION MAT	Silembloc	1
21	380450004-0003	WASHER 6	Arandela D6	2
22	380070100-0004	BOLT M10×40	Tornillo M10x40	4
23	380450129-0003	WASHER 10	Arandela D10	4
24	380350009-0001	NUT M10	Tuerca M10	4

# TM900G





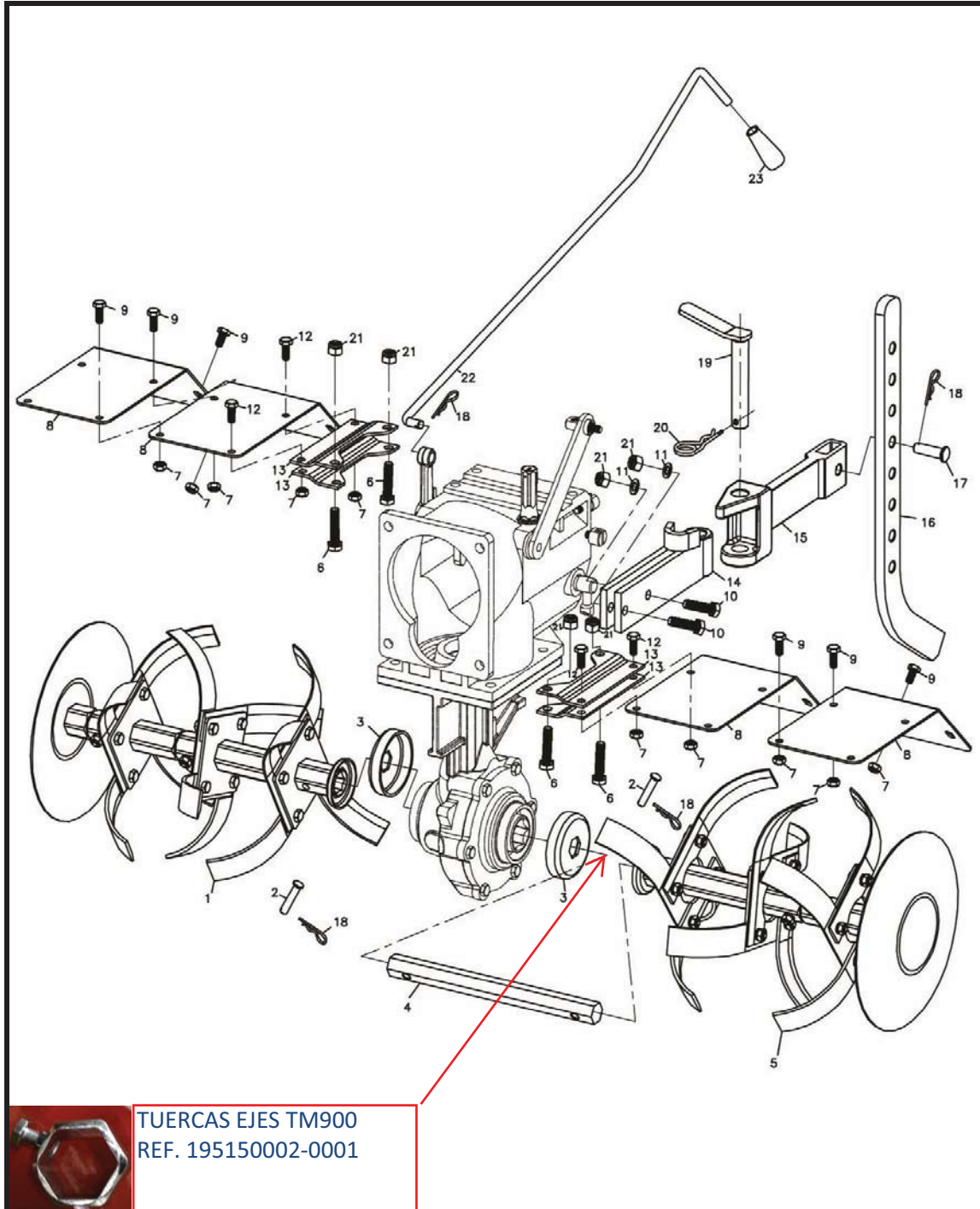
# TM900G



# TM900G

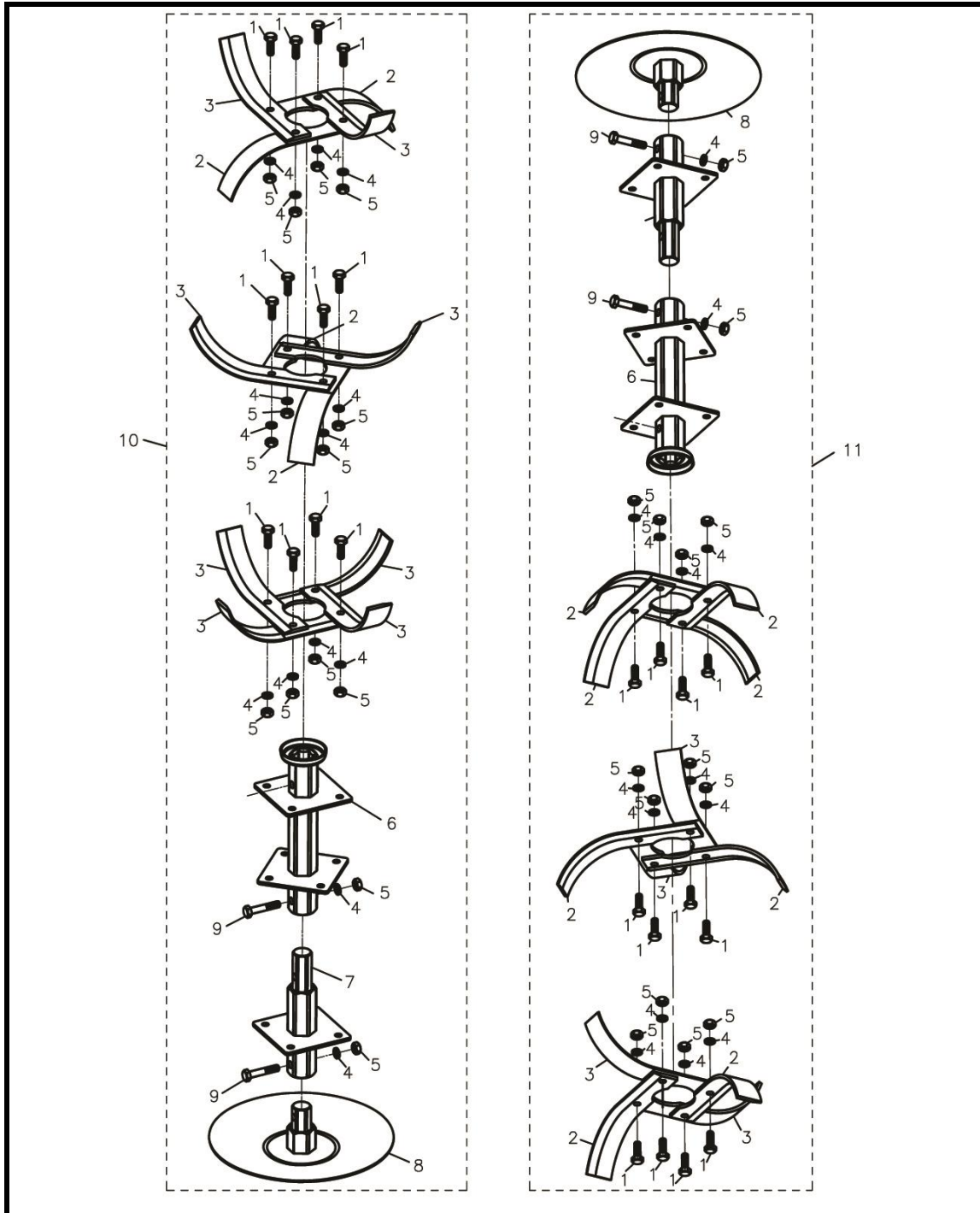
NO.	REFERENCIAS	Description	Descripción	(Reqd. QTY)
1	661500003-0001	BLADE ASSEMBLY,RH STD	Conjunto eje derecho	1
2	380610047-0001	PIN SHAFT 8x50	Eje fijo 8x50	2
3	195640002-0001	DUSTPROOF COVER	Plato protector	2
4	193050017-0001	OUTPUT SHAFT	eje externo	1
5	661490003-0001	BLADE ASSEMBLY,LH STD	Conjunto eje izquierdo	1
6	380070039-0003	BOLT M10x45	Tornillo M10x45	4
7	380350006-0001	NUT M8	Tierca M8	10
8	661800001-0001	FENDER	Protector fresas	4
9	380070018-0004	BOLT M8x20	Tornillo M8x20	6
10	380070039-0003	BOLT M10x45	Tornillo M10x45	2
11	380450129-0003	WASHER 10	Arandela D10	2
12	380070045-0005	BOLT M8x25	Tornillo M8x25	4
13	661530002-0001	FENDER BRACKET	Protector	4
14	661380002-0001	DAMPING SEAT	Soporte	1
15	661390002-0001	DAMPING ARM SEAT	Soporte	1
16	661400002-0001	DAMPING ARM	Espolon	1
17	380610184-0001	PIN SHAFT	Eje	1
18	381350011-0001	PIN, LOCK	Bloquedor eje	4
19	661550002-0001	PIN	Eje	1
20	381350012-0001	PIN, LOCK	Bloquedor eje	1
21	380350009-0001	NUT M10	Tuerca M10	6
22	195940002-0001	SHIFT STAFF ASSEMBLY	Variilla mando	1
23	195720001-0001	SHIFT STAFF COVER	Empuñadura mando	1

# TM900G





# TM900G



referencia  
9902  
juego de fresas completo + discos  
TM900



(WHEEL COMP)

序号	零部件件号	Description	数量
No.	Part No.		Reqd. QTY
1	380340005-0006	NUT M8	10
2	380460001-0008	ELASTICITY CUSHION	10
3	660730035-0001	AXLE	2
4	660710013-0001	SUPPORT HUB	2
5	290180266-0001	INNER TUBE	2
6	290160406-0001	SHOE	2
7	660710012-0001	SUPPORT HUB	2
8	380070072-0002	BOLT M8×16	10
9	660690019-0001	SUPPORTING WHEEL PARTS	1
10	660690021-0001	SUPPORTING WHEEL PARTS	1
11	380070301-0001	BOLT M10×20	16
12	380460002-0003	ELASTICITY CUSHION	16
13	380340010-0007	NUT M10	16

