

GLENDALE

GASOLINE CULTIVATOR

PARTS CATALOG

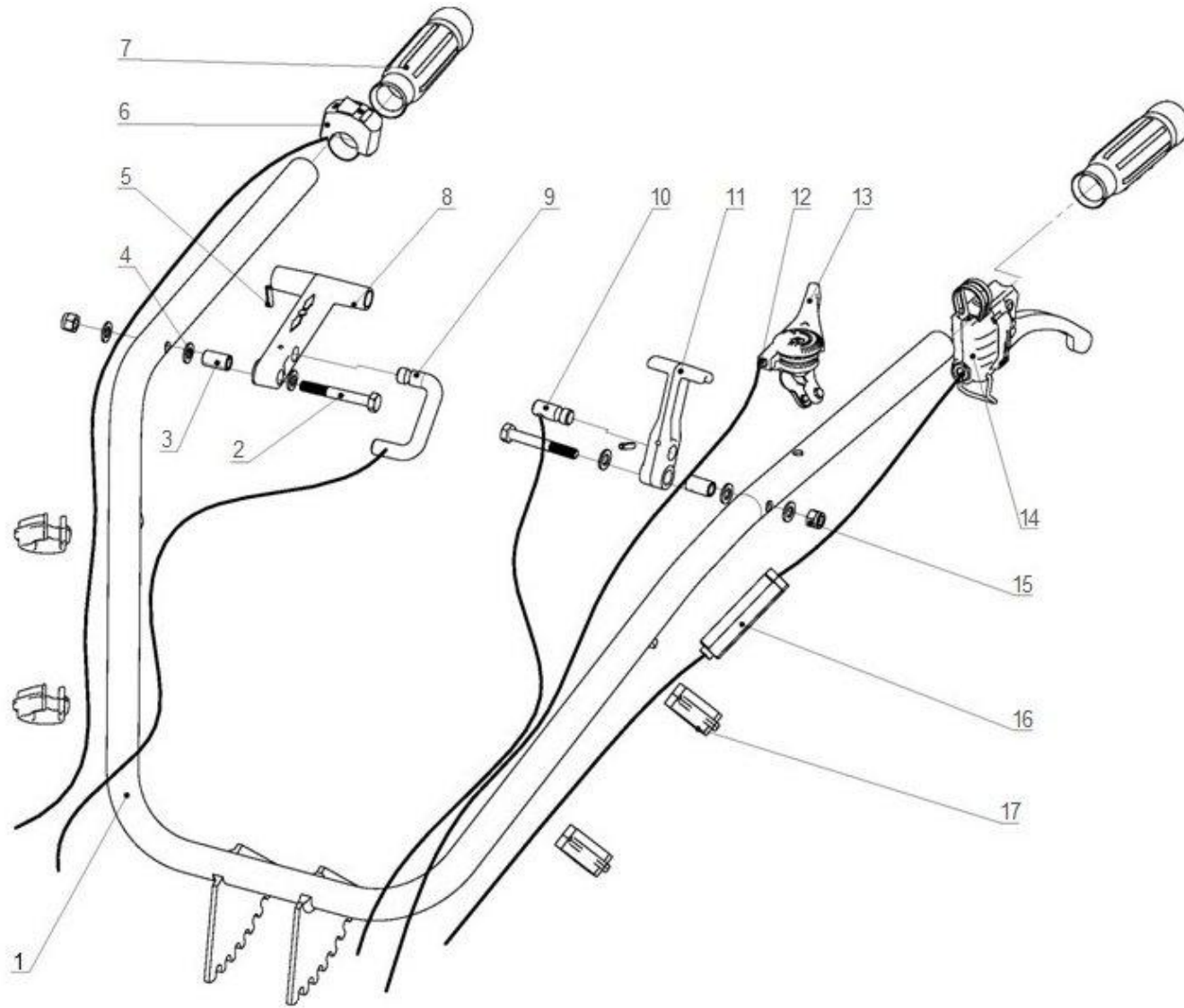
Models:

TM-720X-720XA-720XB-720XBE

CONTENTS

	page
1. Handrail control.....	3~ 4
2. Handrail seat.....	5~ 6
3. Support seat.....	7~ 8
4. Left walking wheel.....	9~10
5. Engine.....	11~13
6. Clutch assy.....	14
8. Clutch core assy.....	15~16
9. Transmission case assy.....	17~18
10. Transmission case comp.....	19~22
11. Transmission case cover.....	23~25
12. Right walking wheel.....	26~27
13. Rotary tiller connecting parts.....	28~29
14. Rotary tiller connecting comp.....	30~31
15. Rotary tiller right blade holder.....	32
16. Rotary tiller transmission case.....	33~34
17. Rotary tiller left blade holder.....	35
18. Rotary tiller protective fender.....	36~37

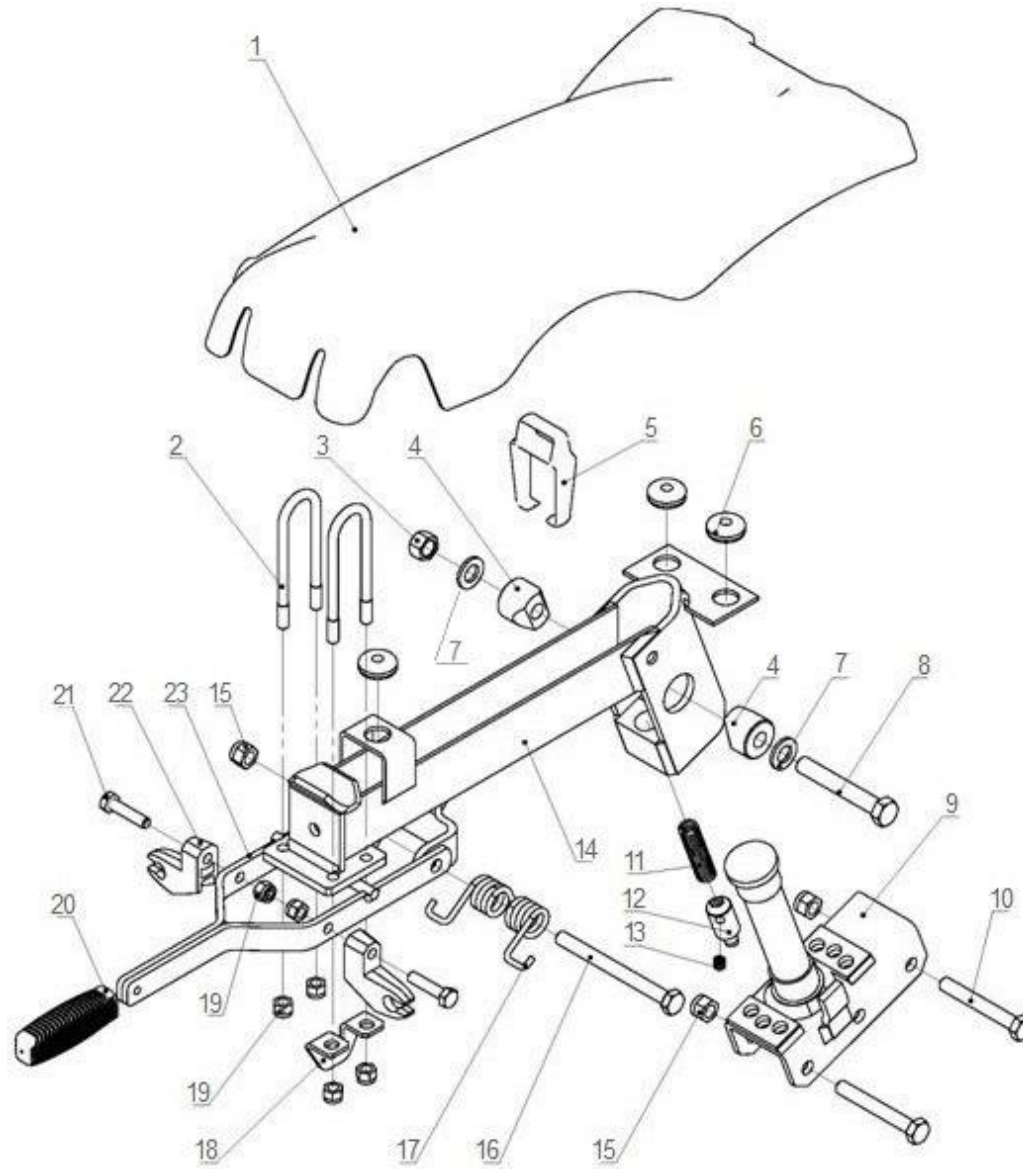
Handrail Control 11.101.000.4000



Handrail Control 11.101.000.4000

Ref. No	Parts Code	Parts Name	Q"ty	Remarks
1	11.101.009.3000	Handrail frame	1	
2	GB/T5783-2000	Hex bolt M8x60	2	
3	11.106.024.0091	Reverse gear switch bush	2	
4	GB/T97-2002	Flat washer 8	6	
5	GB/T879.2-2000	Straight groove light type elastic cylindrical pin 4x20	2	
6	11.101.004.0101	Flameout cable	1	TM-720XB-XBE are exclusive
7	11.101.001.0001	Shock absorption handle rubber sleeve	2	
8	11.101.097.0001	Reverse gear switch	1	
9	11.101.008.0150	Reverse gear cable	1	
10	11.101.100.0001	Handrail turning cable	1	
11	11.101.101.0001	Angle adjusting handle	1	
12	11.101.002.0040	Throttle cable	1	TM-720X/TM-720XA
	11.101.002.0041	Throttle cable	1	TM-720XB/TM-720XBE
13	11.101.031.0050	Throttle switch	1	
14	11.101.021.0060	Clutch handle	1	
15	GB/T6187-2000	Chrome plated insets hex locking nut M8	2	
16	11.101.007.0300	Normally disengaged clutch cable	1	
17	11.101.008.0001	Cable clip	4	

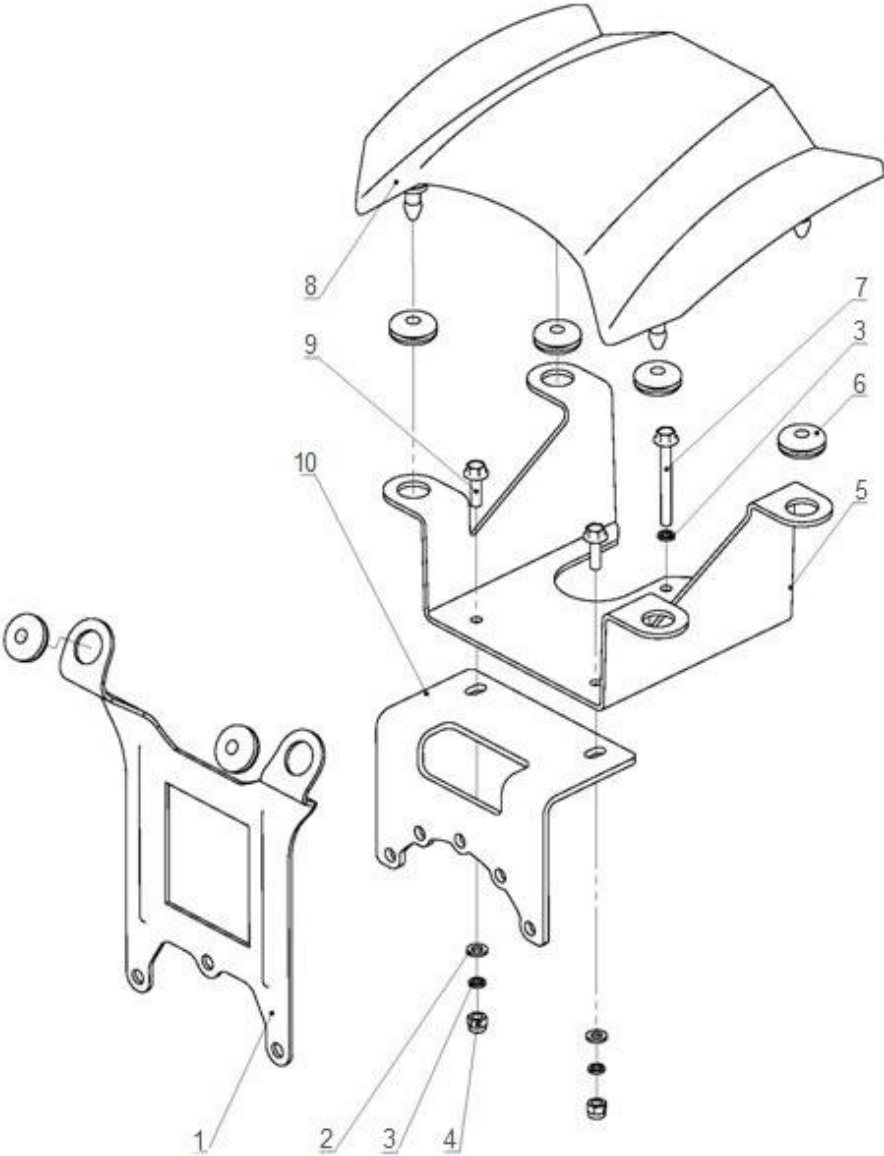
Handrail Seat



Handrail Seat

Ref. No	Parts Code	Parts Name	Q"ty	Remarks
1	11.120.014.0302	Handrail seat cover	1	
2	JB/ZQ4321-1986	U-shaped double-headed screw	2	
3	GB/T889.1-2000	Hex lock nut M12	1	
4	11.120.137.0001	Stand pipe locking pin	2	
5	11.106.034.0100	Line hoop	1	
6	11.120.013.0001	Round cushion	3	
7	GB/T97-2002	Flat gasket 12	2	
8	GB/T5782-2000	Hex bolt M12x80	1	
9	11.101.102.0001	Fixed seat, stand pipe	1	
10	GB/T5780-2000	Hex bolt M10x75	2	
11	11.120.104.0040	Regulating pressure spring	1	
12	11.120.138.0001	Fixed pin, regulating pressure spring	1	
13	GB/T77-2000	Internal hex flush end fastening screw M8x8	1	
14	11.101.022.0400	Handrail seat	1	
15	GB/T889.1-2000	Hex nut M10	3	
16	GB/T5782-2000	Hex bolt M10x100	1	
17	11.120.104.0050	Torsion spring	1	
18	11.152.062.0010	Restriction position plate	1	
19	GB/T889.1-2000	Hex lock nut M8	6	
20	11.101.061.0004	Height adjusting handle grip	1	
21	GB/T5787-2000	Hex flange bolt M8x35	2	
22	11.101.066.0001	Locating block	2	
23	11.101.061.0006	Height adjusting handle	1	

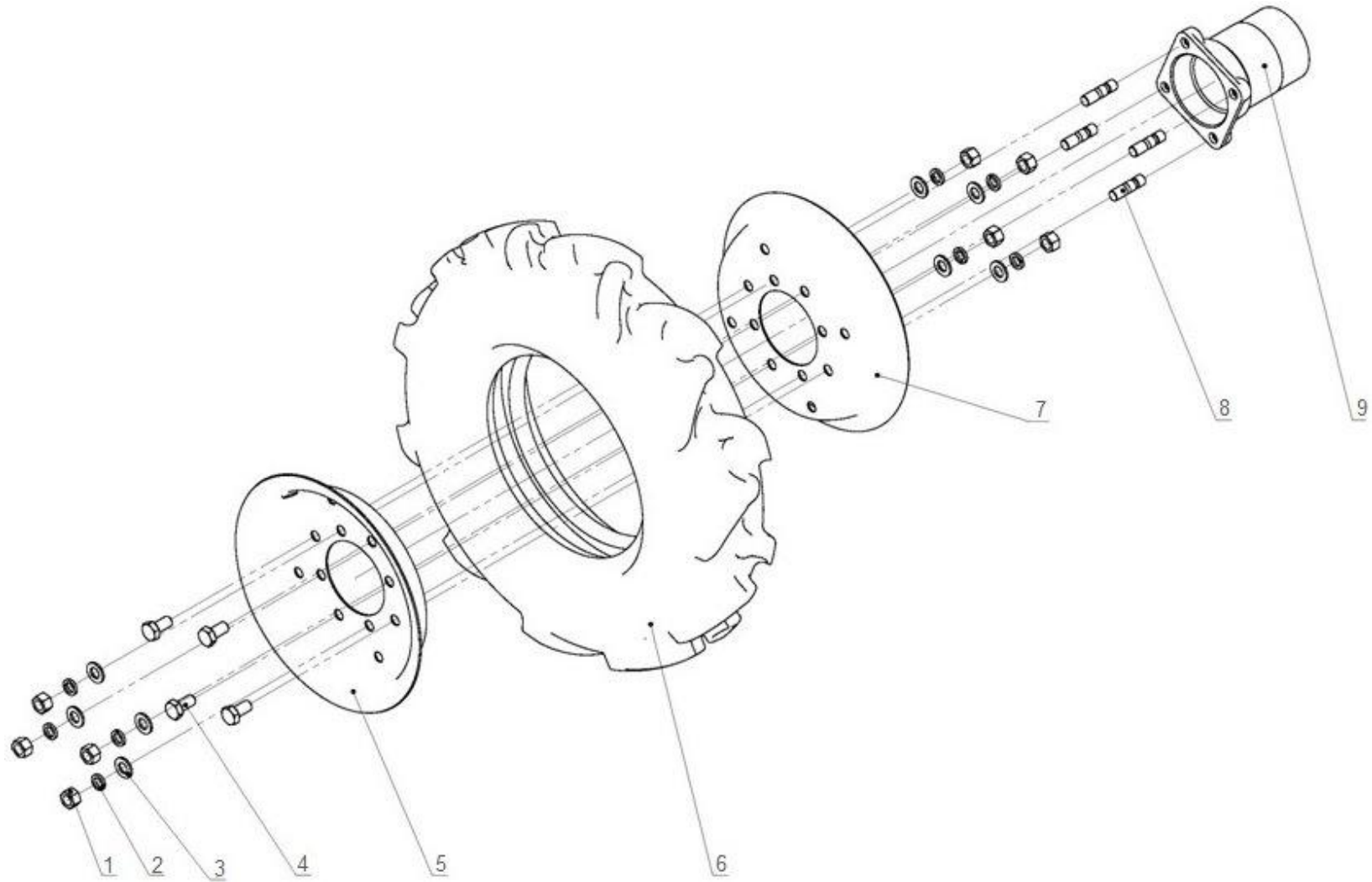
Support Seat



Support Seat

Ref. No	Parts Code	Parts Name	Q'ty	Remarks
1	11.120.015.0002	Supporting frame GE200 engine	1	TM-720X
	11.119.008.0002	Supporting frame GE270 engine	1	TM-720XA
	11.120.015.0003	Support frame GE178D/GE178DE engine	1	TM-720XB/TM-720XBE
2	GB/T97-2002	Flat washer 6	2	
3	GB/T93-1987	Spring washer 6	3	
4	GB/T889.1-2000	Hex lock nut M6	2	
5	11.120.004.0080	U-shaped supporting seat	1	
6	11.120.013.0001	Round cushion	6	
7	GB/T5789-1986	Hex flange bolt M6x55	1	
8	11.120.014.0502	Cover, transmission case	1	
9	GB/T5789-1986	Hex flange bolt M6x20	2	
10	11.120.004.0081	Supporting seat A	1	

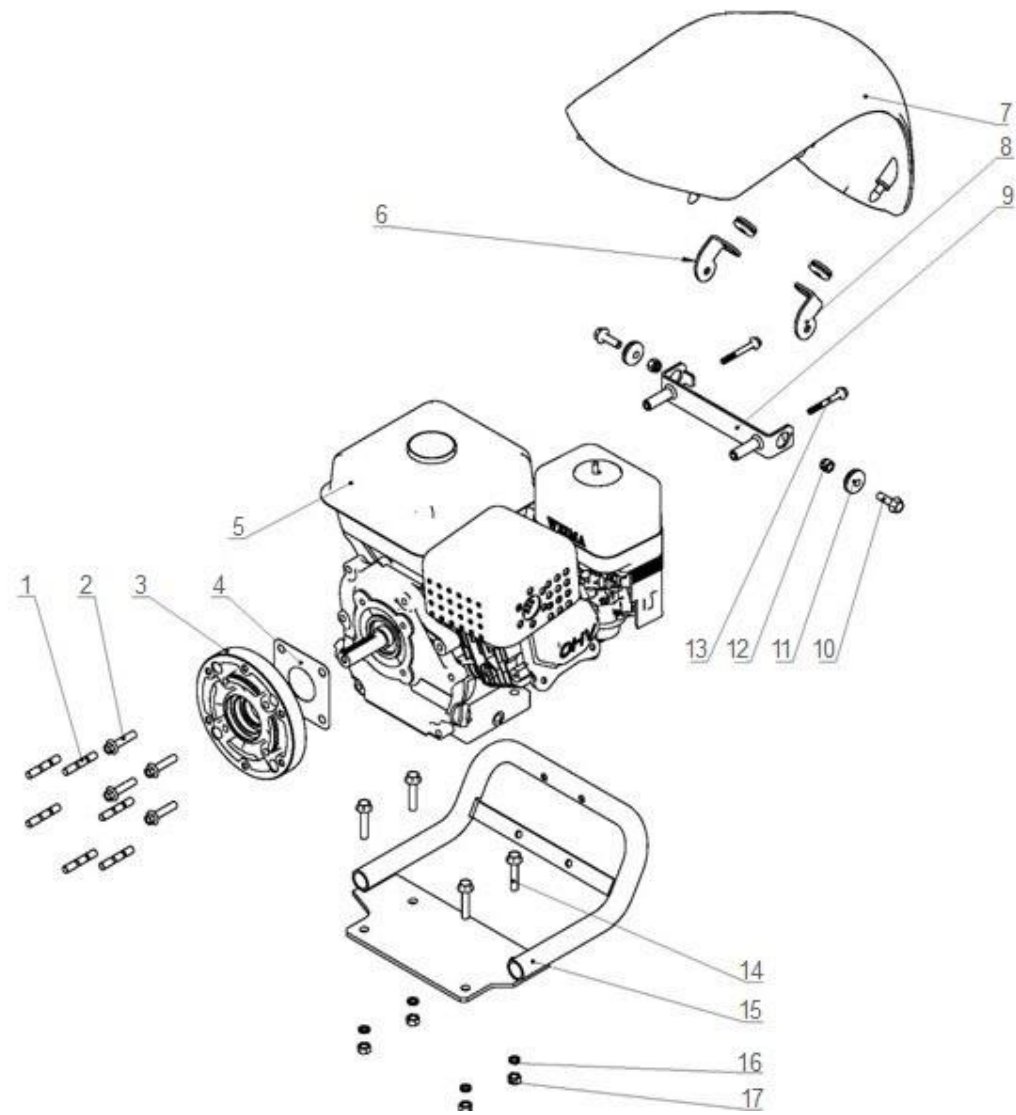
Left Walking Wheel 11.111.000.0183



Left Walking Wheel 11.111.000.0183

Ref. No	Parts Code	Parts Name	Q'ty	Remarks
1	GB/T6170-2000	Hex nut M10	8	
2	GB/T93-1987	Spring washer 10	8	
3	GB/T95-2002	Flat washer C	8	
4	GB/T5783-2000	Hex bolt full threaded M10x20	4	
5	11.111.004.0047	4.0-8 outer spoke	1	
6	11.111.003.0100	Tire with inner tube AG16.2x4.0-8 4pr	1	
7	11.111.002.0030	4.0-8 inner spoke	1	
8	GB/T898-1988	Stud bolt M10x25	4	
9	11.120.002.0212	Flange, tire	1	

Engine



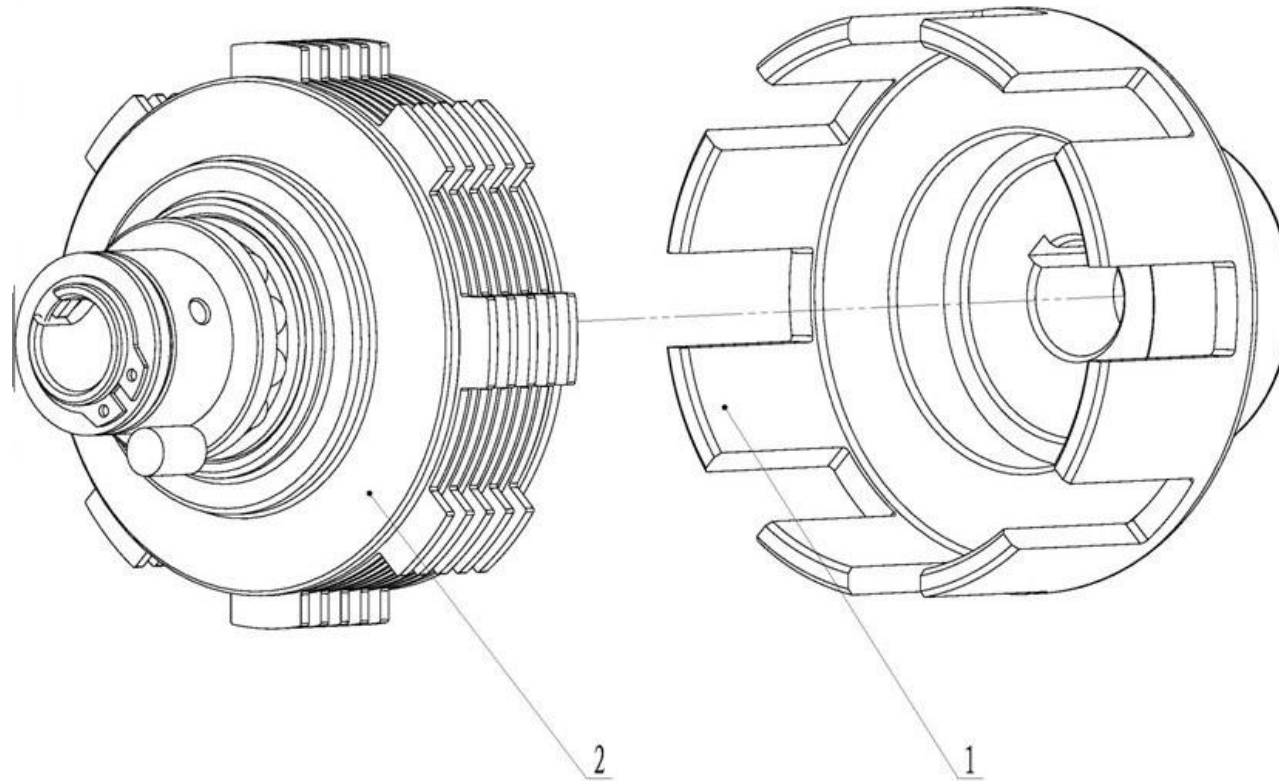
Engine

Ref. No	Parts Code	Parts Name	Q"ty	Remarks
1	GB/T900-1988	Stud bolt M8x32	6	
2	GB/T16674-1996	Hex flange bolt M8x35	4	
3	11.120.002.0211	Flange plate GE200 engine	1	TM-720X
	11.120.002.0210	Flange plate GE270 engine	1	TM-720XA
	11.120.002.0220	Flange plate GE178D/GE178DE engine	1	TM-720XB/TM-720XBE
4	11.120.024.0001	Gasket	1	used for TM-720X only
5	10.005.007.8004	Gasoline engine GE200	1	TM-720X
	10.005.047.1002	Gasoline engine GE270	1	TM-720XA
	10.006.003.1591	Diesel engine GE178D	1	TM-720XB
	10.006.004.3010	Diesel engine GE178DE	1	TM-720XBE
6	11.120.011.0002	Connecting block B, GE200/GE270 engine cover	1	TM-720X/TM-720XA
	11.120.011.0001	Connecting block B, GE178D/GE178DE engine cover	1	TM-720XB/TM-720XBE
7	11.119.005.0001	Engine cover, GE200/GE270	1	TM-720X/TM-720XA
	11.120.014.0001	Engine cover, GE178D/GE178DE	1	TM-720XB/TM-720XBE
	11.151.012.0031	Decorator, engine cover GE178D	2	TM-720XB
	-----	Light, engine cover GE178DE	2	TM-720XBE
8	11.120.012.0002	Connecting block A, GE200-GE270 engine cover	1	TM-720X/TM-720XA
	11.120.012.0001	Connecting block A, GE178D/GE178DE engine cover	1	TM-720XB/TM-720XBE

Engine

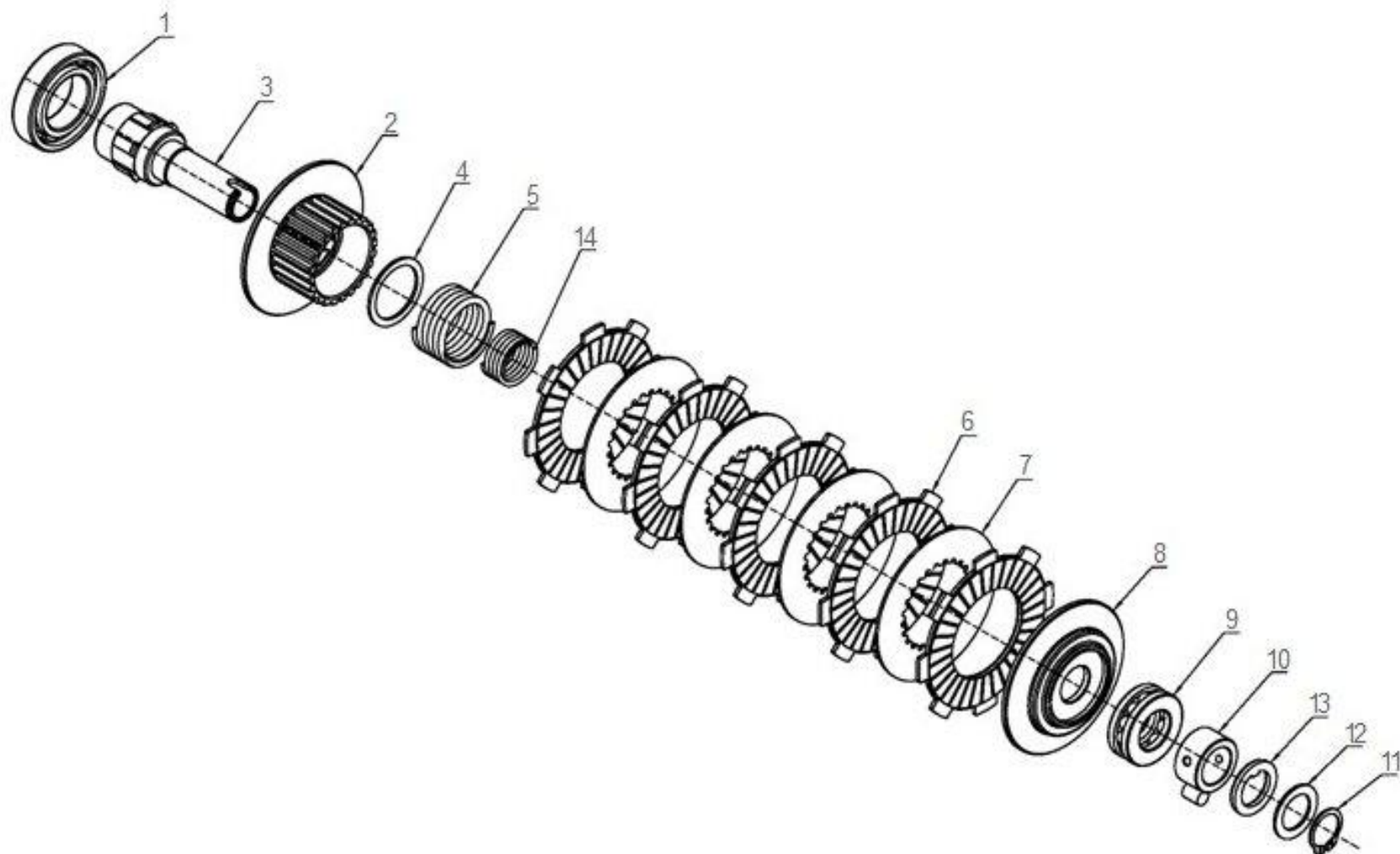
Ref. No	Parts Code	Parts Name	Q"ty	Remarks
9	11.120.017.0002	U-shaped GE200 engine cover support frame	1	TM-720X
	11.119.008.0001	U-shaped GE270 engine cover support frame	1	TM-720XA
	11.120.017.0001	U-shaped GE178D/GE178DE engine cover support frame	1	TM-720XB/TM-720XBE
10	GB/T5789-1986	Hex flange bolt B level M8x25	2	
11	11.120.013.0001	Round cushion	4	TM-720X/TM-720XA
	11.120.085.0001	Rubber isolator, fuel tank	2	TM-720XB/TM-720XBE
12	GB/T889.1-2000	Hex nut M8	2	
13	GB/T5789-1986	Hex flange bolt M6x50	2	
	GB/T5789-1986	Hex flange bolt M6x75	2	
14	GB/T5789-1986	Hex flange bolt M8x40	4	
15	11.109.004.0230	Bumper, GE200 engine	1	TM-720X
	11.109.004.0232	Bumper, GE270 engine	1	TM-720XA
	11.109.004.0231	Bumper, GE178D/GE178DE engine	1	TM-720XB/TM-720XBE
16	GB/T93-1987	Spring washer 8	4	
17	GB/T6170-2000	Hex nut M8	4	

Clutch Assy 11.108.000.0153



Ref. No	Parts Code	Parts Name	Q'ty	Remarks
1	11.108.001.0009	Outer cover	1	
2	11.120.132.0001	Clutch core assy	1	

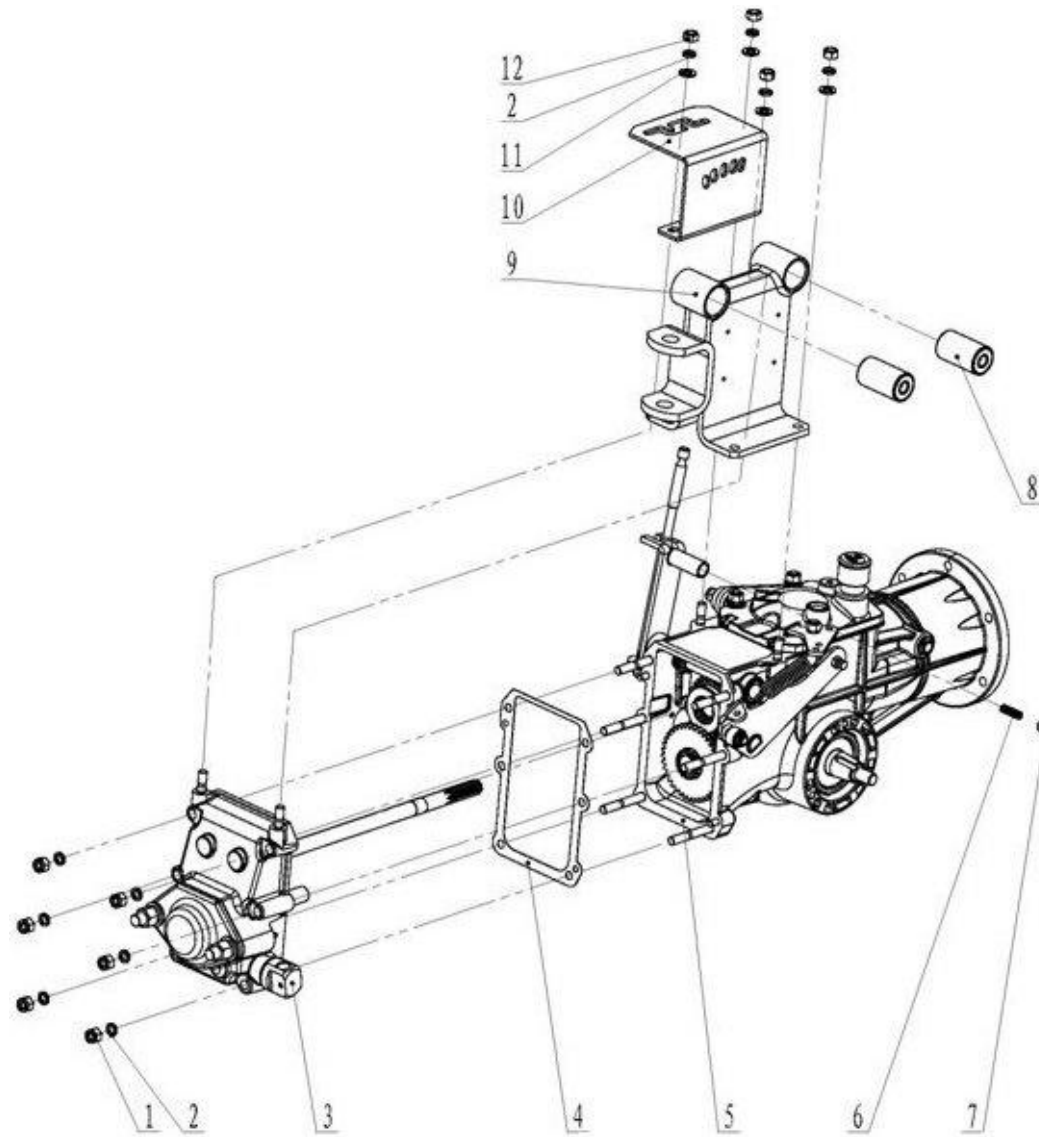
Clutch Core Assy 11.120.132.0001



Clutch Core Assy 11.120.132.0001

Ref. No	Parts Code	Parts Name	Q"ty	Remarks
1	12.009.001.0060	Deep groove ball bearing 6006	1	
2	-----	Central sheath	1	not offer the parts alone
3	-----	Splined sleeve	1	not offer the parts alone
4	11.102.027.0004	Washer 30.2x38x1.5	1	
5	-----	Spring	1	
6	11.108.999.0013	Friction plate	5	not offer the parts alone
7	11.108.008.0001	Steel plate	4	
8	-----	Fasten plate	1	not offer the parts alone
9	12.009.008.0002	Ball trust bearing 51204	1	
10	11.103.005.0002	Cushion sheath	1	
11	GB894.1-86	Cir-clip A-type 20, shaft	1	
12	11.102.021.0011	Adjusting washer	1	
13	11.103.004.0002	Friction slice	1	
14	11.108.012.0002	Small spring	1	

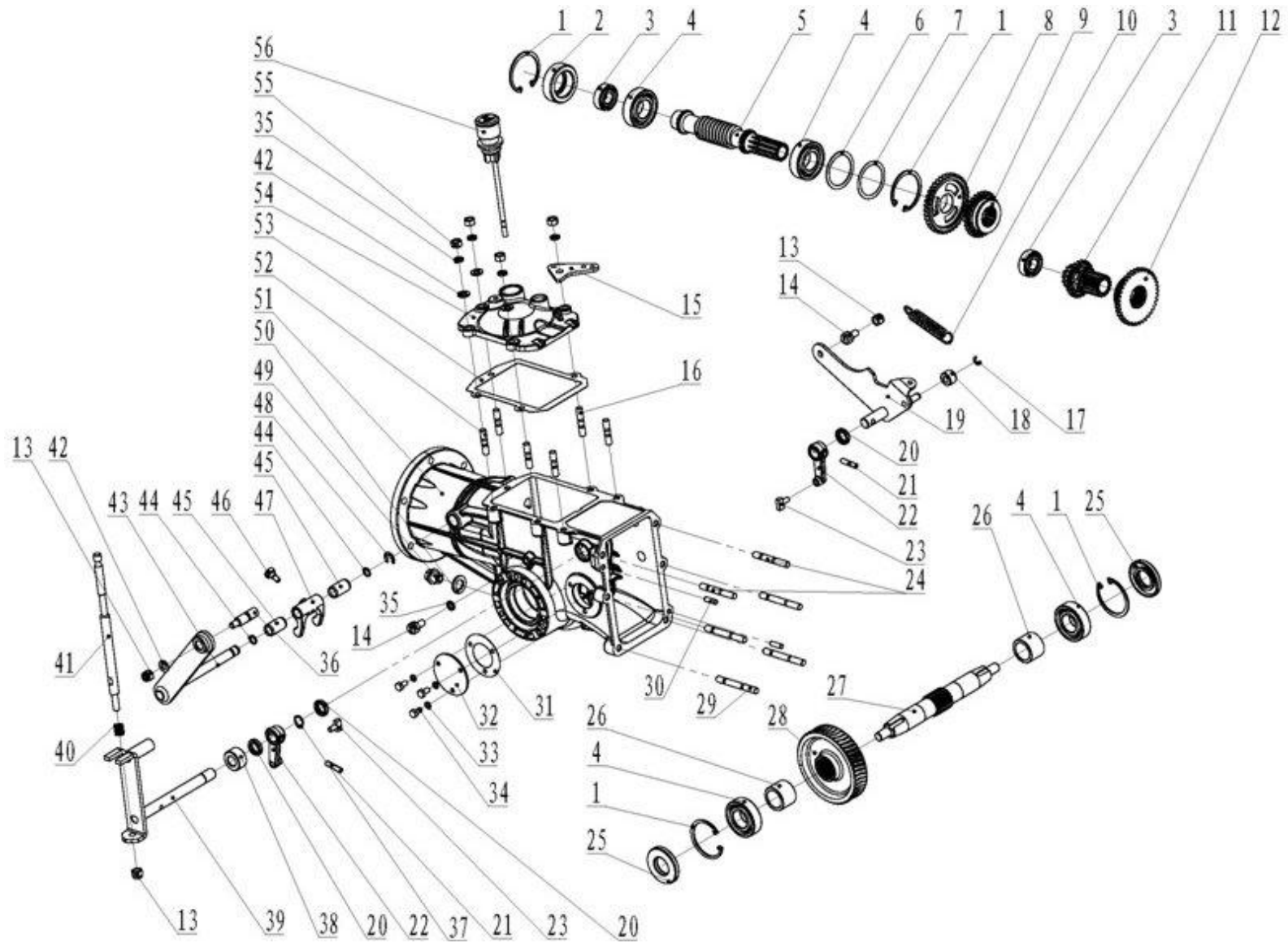
Transmission Case Assy



Transmission Case Assy

Ref. No	Parts Code	Parts Name	Q'ty	Remarks
1	GB/T889.1-2000	Hex lock nut M8	6	
2	GB/T93-1987	Washer 8	10	
3	-----	Transmission case cover comp	1	
4	11.106.002.0040	Gasket	1	
5	-----	Transmission case comp	1	
6	11.120.104.0080	Gear spring	1	
7	-----	Steel ball 11.906 G100 GB/T308-2002	1	
8	11.120.013.0010	Buffer sleeve	2	
9	11.101.022.0080	Standing jointing seat	1	
10	11.101.047.0030	Gear indicator frame	1	
11	GB/T97-2002	Washer 8	4	
12	GB/T6184-2000	Hex lock nut M8	4	

Transmission Case Comp



Transmission Case Comp

Ref. No	Parts Code	Parts Name	Q'ty	Remarks
1	GB 891.1-86	Cir-clip A-type 52, hole	4	
2	11.102.107.0001	Bushing	1	
3	12.009.001.0132	Deep groove bal bearing 6202 GB/T276-94	2	
4	12.009.001.0192	Deep groove ball bearing 6205 GB/T276-94	4	
5	11.106.029.0002	Worm A	1	
6	11.102.027.1902	Washer 51.8x42x1	1	
7	11.102.027.1903	Washer 51.8x42x0.5	1	
8	11.102.104.0004	Shift straight gear C	1	
9	11.102.104.0005	Shift straight gear B	1	
10	11.120.103.0030	Reverse gear spring	1	
11	11.102.104.0003	PTO straight gear C	1	
12	11.102.104.0002	PTO straight gear B	1	
13	GB/T889.1-2000	Hex lock nut M8	1	
14	11.102.033.0001	Clutch cable seat	1	
15	11.120.135.0001	Drag spring arm	1	
16	GB/T900-1988	Stud bolt M8x25	1	
17	GB/T896-86	Cir-clip 6	1	
18	11.120.140.0001	Spacing rubber round	1	
19	11.120.136.0001	Reverse gear arm	1	

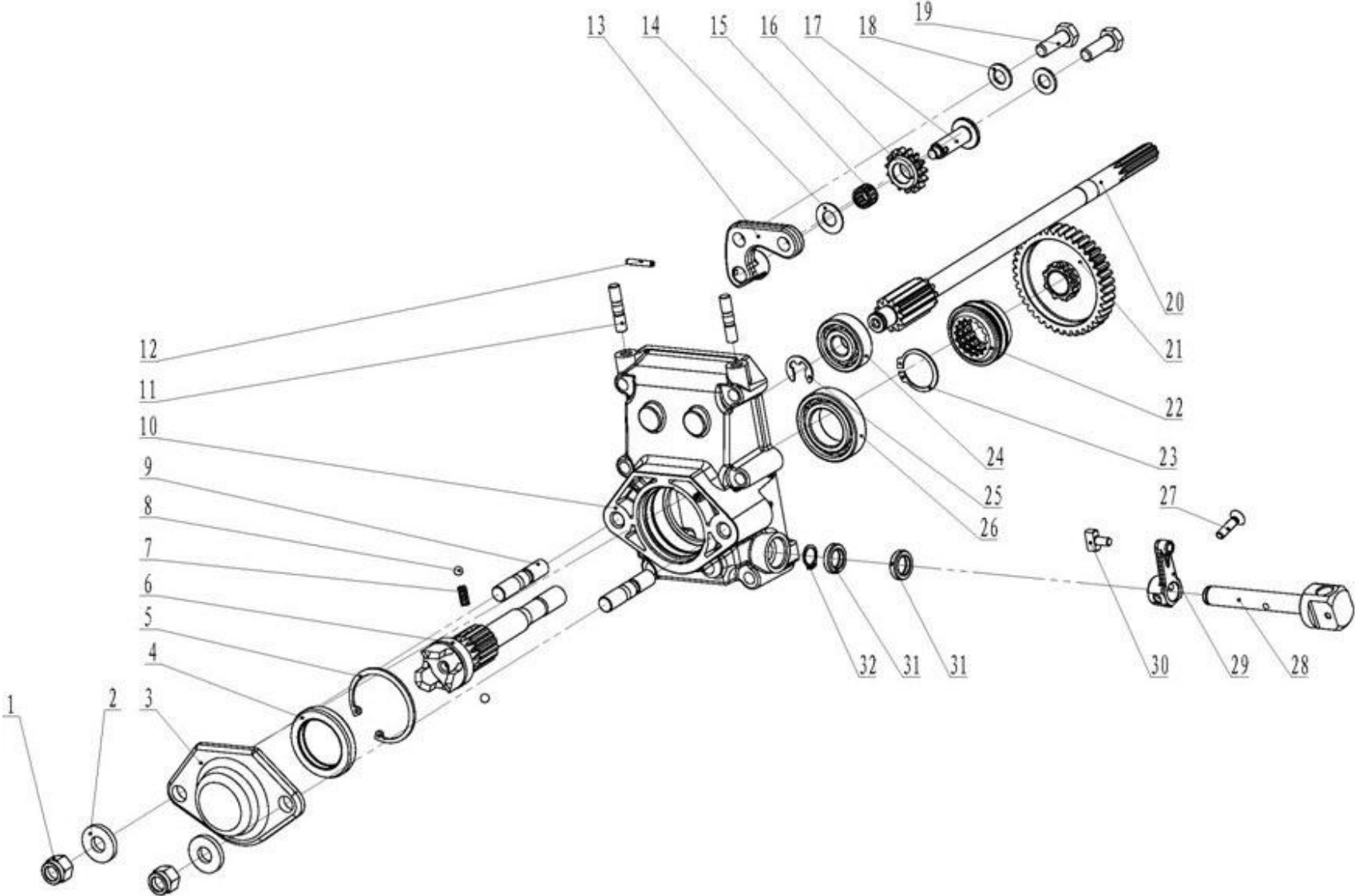
Transmission Case Comp

Ref. No	Parts Code	Parts Name	Q'ty	Remarks
20	12.015.028.0028	FB-type lip seal 14x22x5	3	
21	GB/T879.4-2000	Elastic/roll cylindrical pin 6x26	2	
22	11.102.029.0040	Reverse gear fork	2	
23	11.102.004.0060	Dial block	2	
24	GB/T900-1988	Stud bolt M8x45	2	
25	GB/T13871.1-2007	FB-type lip seal 25x52x7	2	
26	11.106.024.1100	Worm-gear shaft bushing A	2	
27	11.102.112.0001	Worm-gear shaft A	1	
28	11.106.047.0002	Worm-gear A	1	
29	GB/T900-1988	Stud bolt M8x55	4	
30	GB/T119-2000	Cylindrical pin 6x20	2	
31	11.106.002.0041	Gasket	1	
32	11.102.113.0001	Maintenance cover	1	
33	GB/T93-1987	Standard elastic washer 8	3	
34	GB/T5783-2000	Hex bolt I M6x12	3	
35	GB/T93-1987	Washer 8	5	
36	11.102.034.0001	1100 Clutch cable sliding seat	1	
37	GB894.1-86	Cir-clip A type 14, shaft	1	
38	11.106.024.1120	Gear shift bushing	1	

Transmission Case Comp

Ref. No	Parts Code	Parts Name	Q'ty	Remarks
39	11.102.108.0001	Gear shift	1	
40	11.120.104.0090	Shift rod spring	1	
41	11.101.017.0320	Shift rod A	1	
42	GB/T97-2002	Washer 8	4	
43	11.102.035.0050	Axes, clutch fork	1	
44	GB3452.1-92	O-ring 8.75x1.9	2	
45	11.102.028.0003	Sheath, clutch fork axes	2	
46	11.101.020.0002	Locking bolt M8x15	1	
47	11.102.036.0004	Clutch fork	1	
48	GB/T896-86	Split ring 9	1	
49	11.120.105.0015	Hex plug screw M14x1.5x12	1	
50	11.102.020.0003	Aluminum gasket 14	1	
51	11.106.001.0190	Transmission case	1	
52	GB/T900-1988	Stud bolt M8x20	5	
54	11.120.004.0040	Gasket, top cover	1	
54	11.102.111.0001	Top cover	1	
55	GB/T6170-2000	Hex nut M8	4	
56	11.102.006.0050	Decompression oil dipstick	1	

Transmission Case Cover



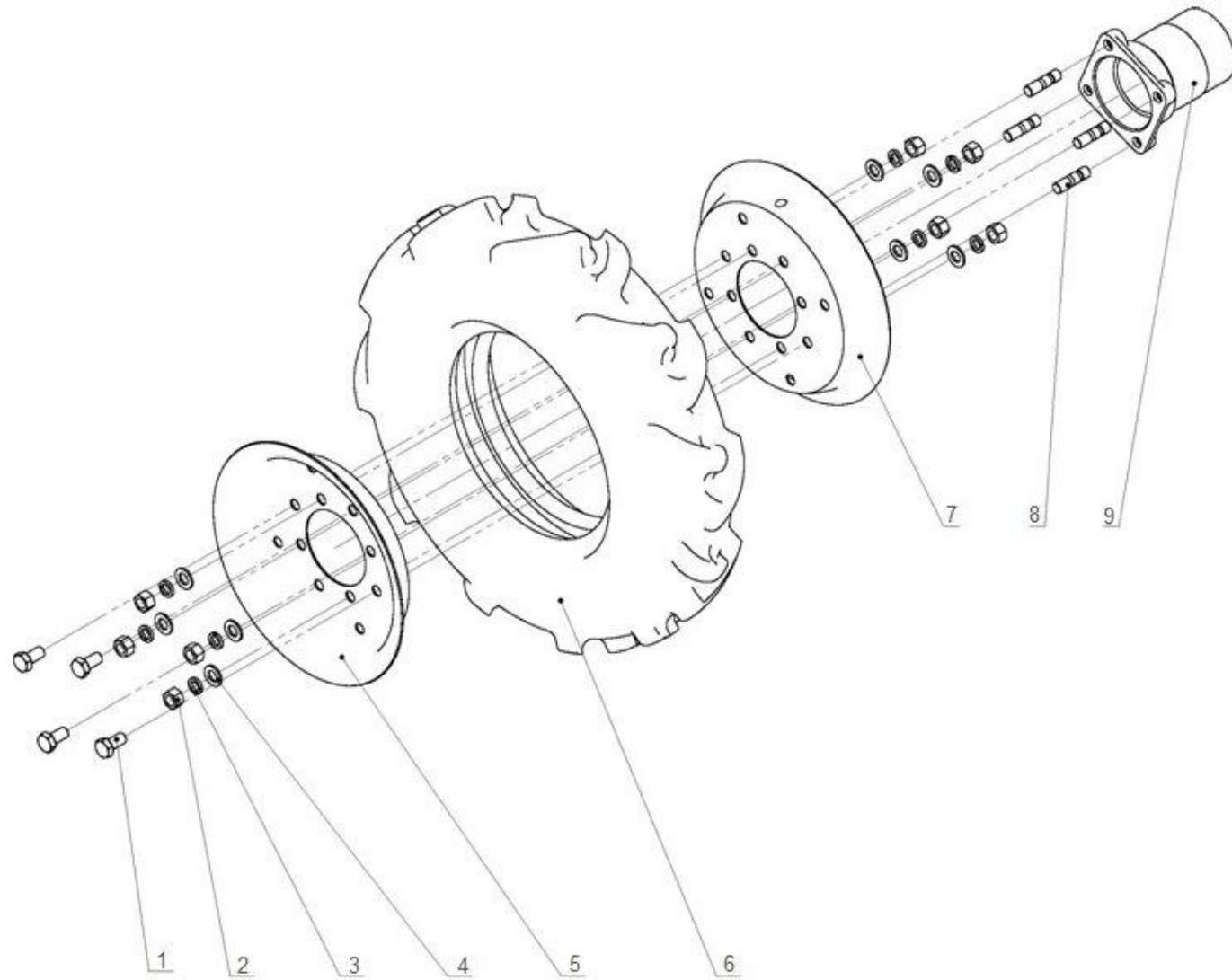
Transmission Case Cover

Ref. No	Parts Code	Parts Name	Q"ty	Remarks
1	GB/T889.1-2000	Hex nut M12	2	
2	11.102.027.0013	Washer 12x29x4	2	
3	11.120.139.0001	PTO shaft shield	1	
4	12.015.028.0027	FB-type lip seal 38x55x8	1	
5	GB893.1-86	Cir-clip A-type 55, hole	1	
6	11.102.103.0001	PTO shaft	1	
7	11.120.104.0070	Spring, coupling sleeve	1	
8	12.010.001.0020	Steel ball 6.35 G100B GB/T308-2002	2	
9	GB/T900-1988	Stud bolt M12x32	2	
10	11.102.056.0002	Transmission case cover	1	
11	GB/T900-1988	Stud bolt M8x20	2	
12	GB/T879.4-2000	Elastic/roll cylindrical pin 4x24	1	
13	11.102.110.0001	Mounting arm, Idle pulley	1	
14	11.102.027.0012	Washer 12x24x1	1	
15	12.009.002.1002	Needle bearing KT121610	1	
16	11.102.105.0001	Idle pulley	1	

Transmission Case Cover

Ref. No	Parts Code	Parts Name	Q"ty	Remarks
17	11.102.106.0001	Shaft, idle pulley	1	
18	GB/T97-2002	Washer 10	2	
19	GB/T5783-2000	Hex bolt M10x30	2	
20	11.102.007.0090	Driving gear principal axis	1	
21	11.102.104.0001	PTO driving gear A	1	
22	11.152.038.0020	Coupling sleeve	1	
23	GB894.2-86	Cir-clip B-type 30, shaft	1	
24	12.009.001.0240	Deep groove ball bearing 6302 GB/T276-94	1	
25	GB/T896-86	Split ring 12	1	
26	12.009.001.0060	Deep groove ball bearing 6006 GB/T276-94	1	
27	GB/T819.2-1986	Cross recessed screw M6x0.75x25	1	
28	11.106.012.0042	PTO fork axes	1	
29	11.102.109.0001	PTO fork arm	1	
30	11.102.004.0060	Shifting fork	1	
31	12.015.028.0028	FB-type lip seal 14x22x5	2	
32	GB894.1-86	Cir-clip A-type14, shaft	1	

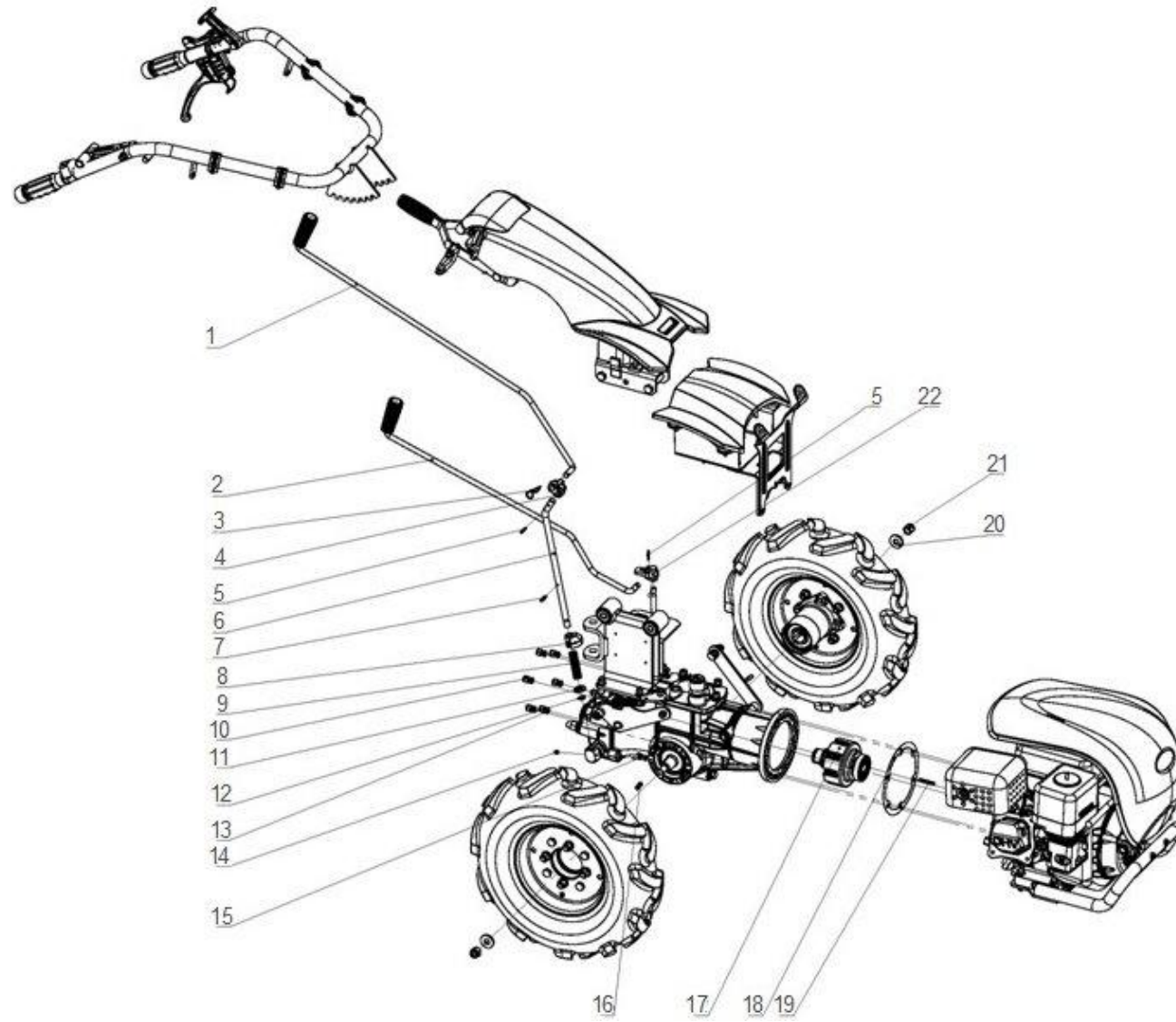
Right Walking Wheel 11.111.000.0183



Right Walking Wheel 11.111.000.0183

Ref. No	Parts Code	Parts Name	Q"ty	Remarks
1	GB/T5783-2000	Hex full threaded bolt M10x20	4	
2	GB/T6170-2000	Hex nut M10	8	
3	GB/T93-1987	Elastic washer 10	8	
4	GB/T95-2002	Washer 10	8	
5	11.111.002.0030	4.0-8 inner spoke	1	
6	11.111.003.0100	Wheel AG16.2x4.0-8 4pr	1	
7	11.111.004.0047	4.0-8 outer spoke	1	
8	GB/T898-1988	Stud bolt M10x25	4	
9	11.120.002.0212	Flange, wheel	1	

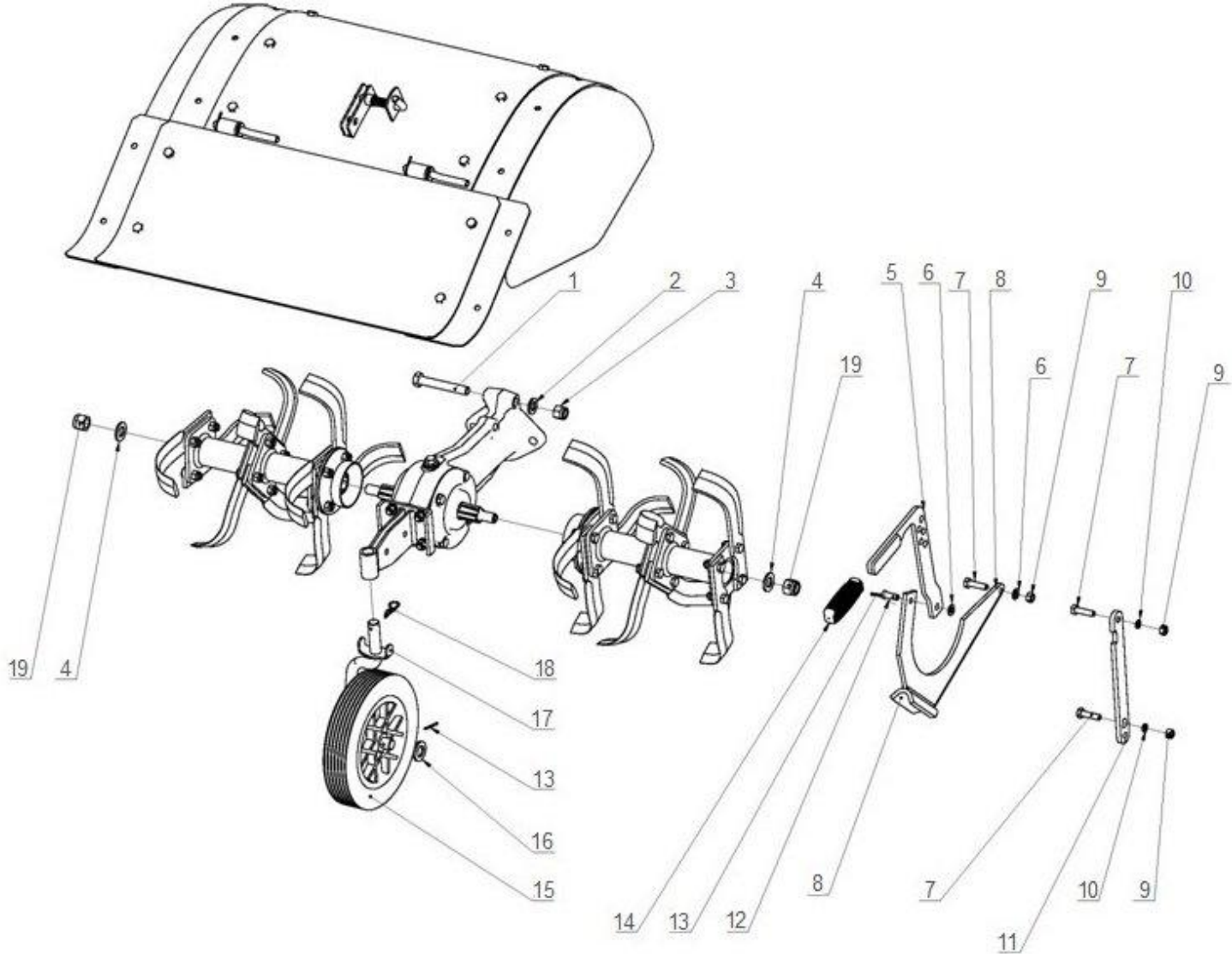
Rotary Tiller Connecting Parts



Rotary Tiller Connecting Parts

Ref. No	Parts Code	Parts Name	Q"ty	Remarks
1	11.120.134.0002	PTO control lever B	1	
2	11.101.017.0321	Shift lever B	1	
3	12.015.006.0002	Clip B	1	
4	11.102.038.0001	PTO hinge B	1	
5	GB/T879.1-2000	Straight groove heavy duty elastic cylindrical pin 3x20	2	
6	11.120.134.0001	PTO control lever A	1	
7	GB/T879.1-2000	Straight groove heavy duty elastic cylindrical pin 4x20	1	
8	11.102.038.0050	PTO hinge A	1	
9	11.120.104.0060	Spring	1	
10	GB/T889.1-2000	Hex nut M8	6	
11	GB/T97-2002	Washer 12	1	
12	GB3452.1-92	O-ring 11.2x1.8	1	
13	GB/T93-1987	Spring washer 8	6	
14	GB/T889.1-2000	Hex nut M4	1	
15	GB/T818-2000	Cross recessed screw M4X30	1	
16	GB/T1096-1979	Key 6x22	2	
17	11.108.000.0153	Clutch assy	1	
18	11.120.001.0002	Gasket	1	
19	GB/T1096-1979	Key 4.78x4.78x35	1	
20	11.102.027.0013	Washer 12x29x4	2	
21	GB/T889.1-2000	Hex nut M12	2	
22	11.102.038.0100	Gear shifting hinge	1	

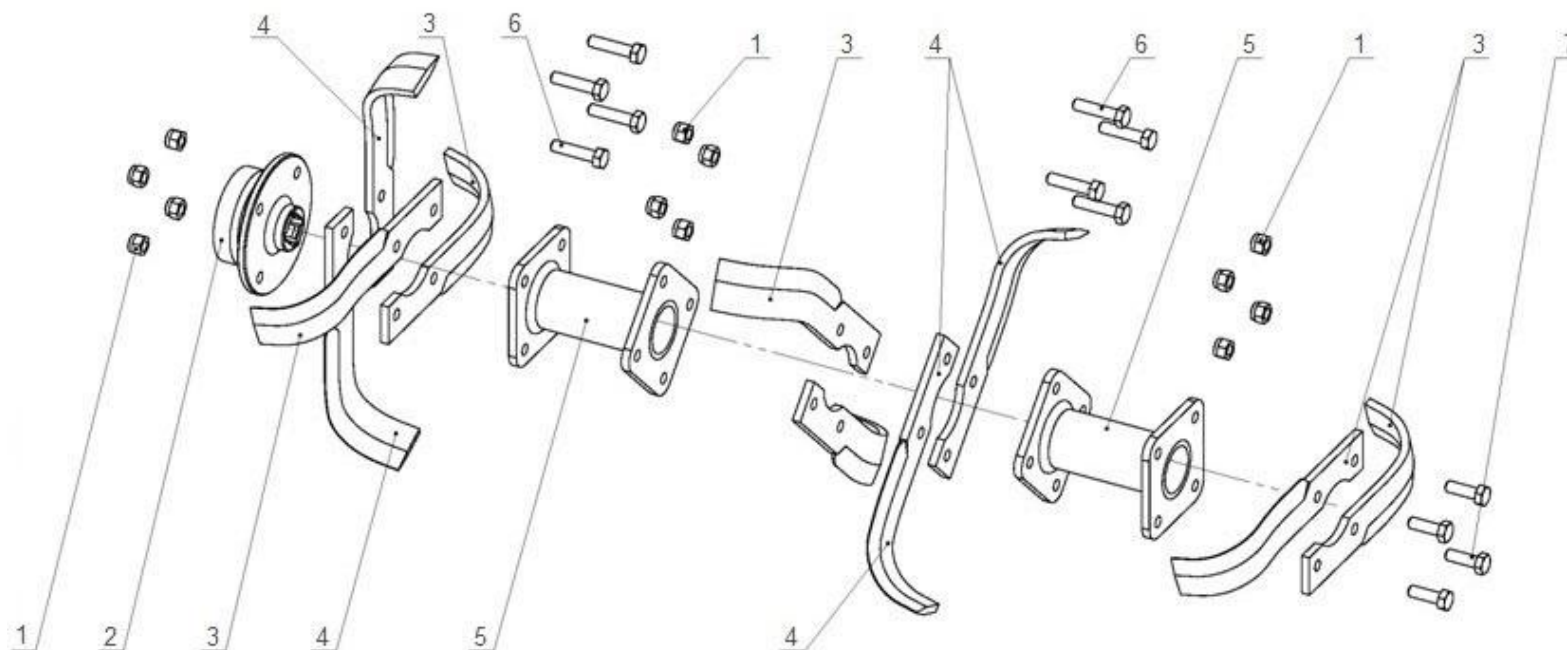
Rotary Tiller Connecting Comp



Rotary Tiller Connecting Comp

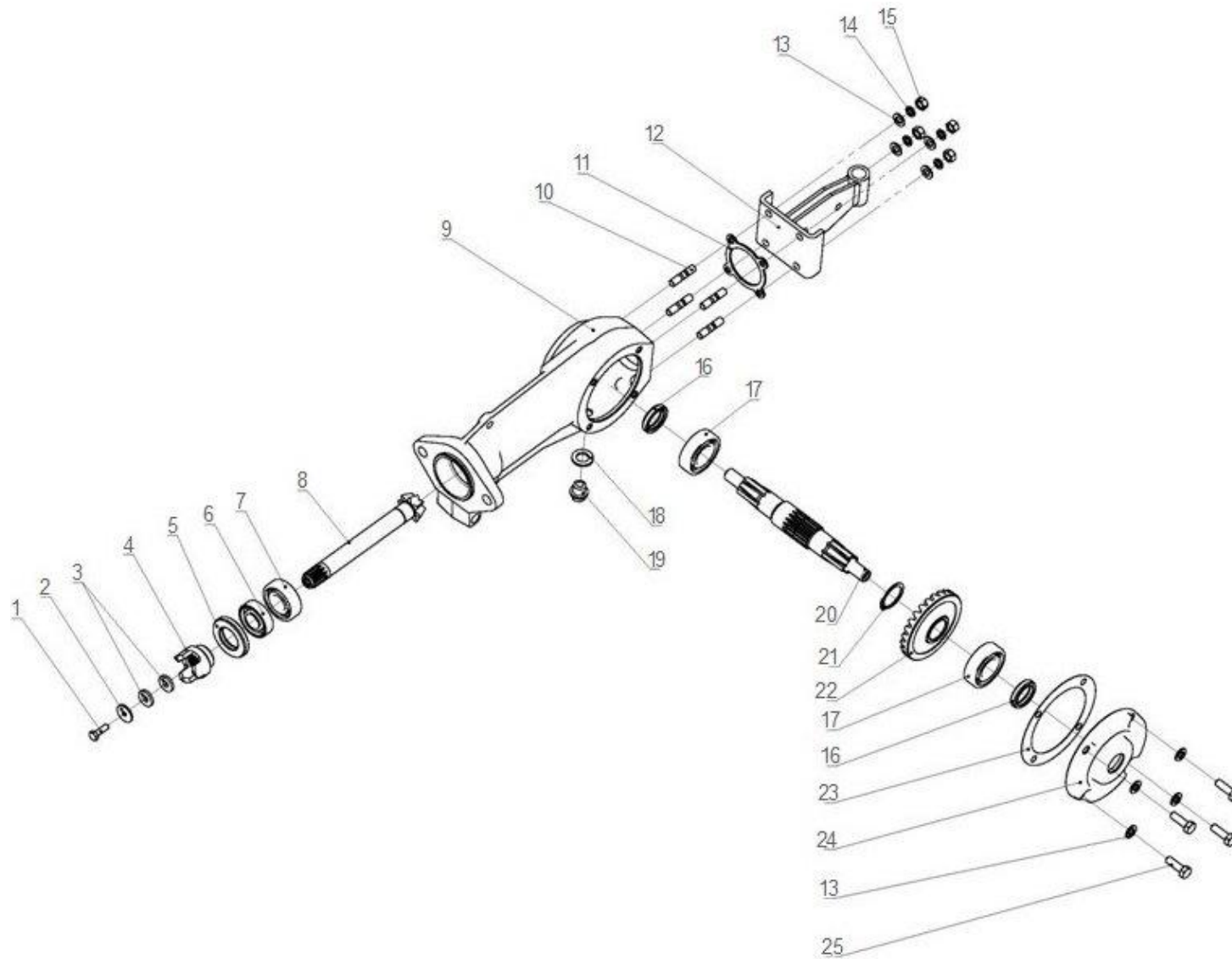
Ref. No	Parts Code	Parts Name	Q'ty	Remarks
1	GB/T5782-2000	Hex bolt M12x80	1	
2	GB/T97-2002	Washer 12	1	
3	GB/T889.1-2000	Hex nut M12	1	
4	GB/T97-2002	Washer 14	2	
5	11.101.103.0001	Height adjusting lever	1	
6	GB/T97-2002	Washer 8	2	
7	GB/T5783-2000	Hex full threaded bolt M8x30	3	
8	11.110.007.0056	Ground-breaking blade	1	
9	GB/T6184-2000	Hex nut M8	3	
10	GB/T93-1987	Spring washer 8	2	
11	11.120.079.0120	Connecting lever	1	
12	GB882-88	Pin 8x22	1	
13	GB/T91-2000	Split pin 2.5x30	2	
14	11.101.061.0004	Height adjusting grip	1	
15	11.120.098.0002	Wheel 8x1.6	1	
16	GB/T97-2002	Washer 16	1	
17	11.120.141.0001	Wheel axle	1	
18	12.015.006.0002	Clip B	1	
19	GB/T889.1-2000	Hex nut M14	2	

Rotary Tiller Right Blade Holder 11.110.000.1301



Ref. No	Parts Code	Parts Name	Q"ty	Remarks
1	GB/T889.1-2000	Hex nut M8	12	
2	11.120.002.0213	Blade handle flange plate	1	
3	11.110.003.0002	Rotary tiller left blade	6	
4	11.110.003.0003	Rotary tiller right blade	4	
5	11.110.002.0680	Blade holder	2	
6	GB/T5783-2000	Hex full threaded bolt M8x35	8	
7	GB/T5783-2000	Hex full threaded bolt M8x25	4	

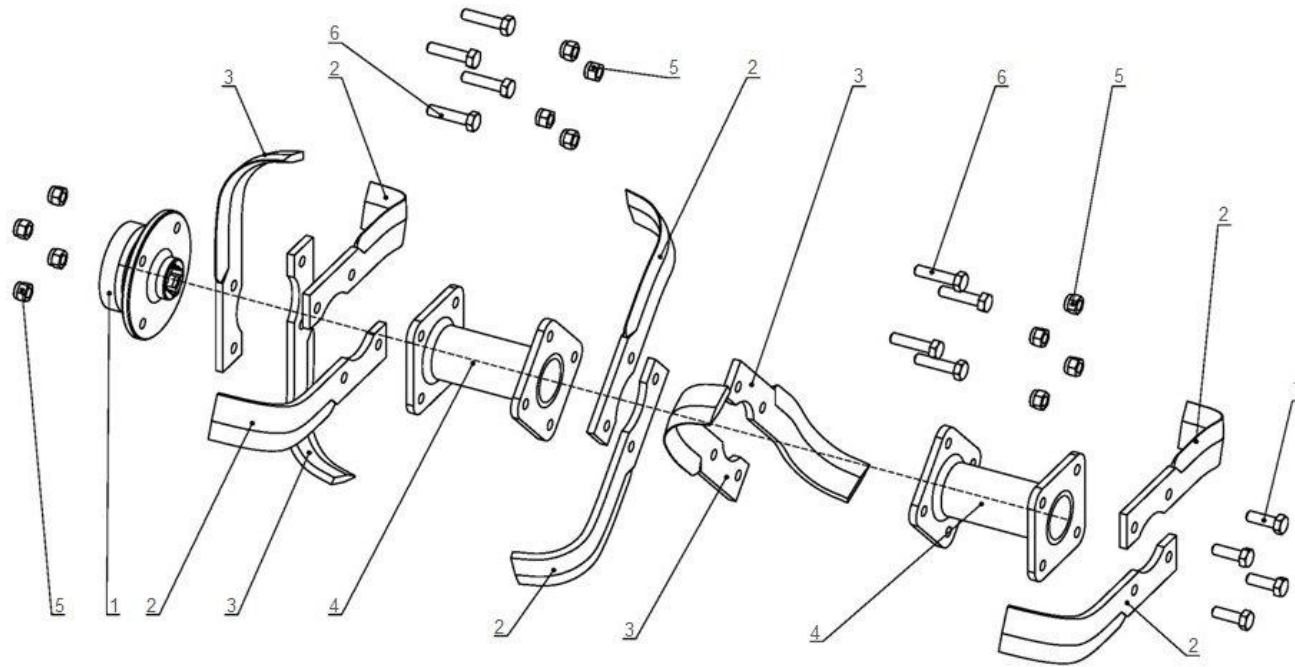
Rotary Tiller Transmission Case 11.106.000.0950



Rotary tiller Transmission Case 11.106.000.0950

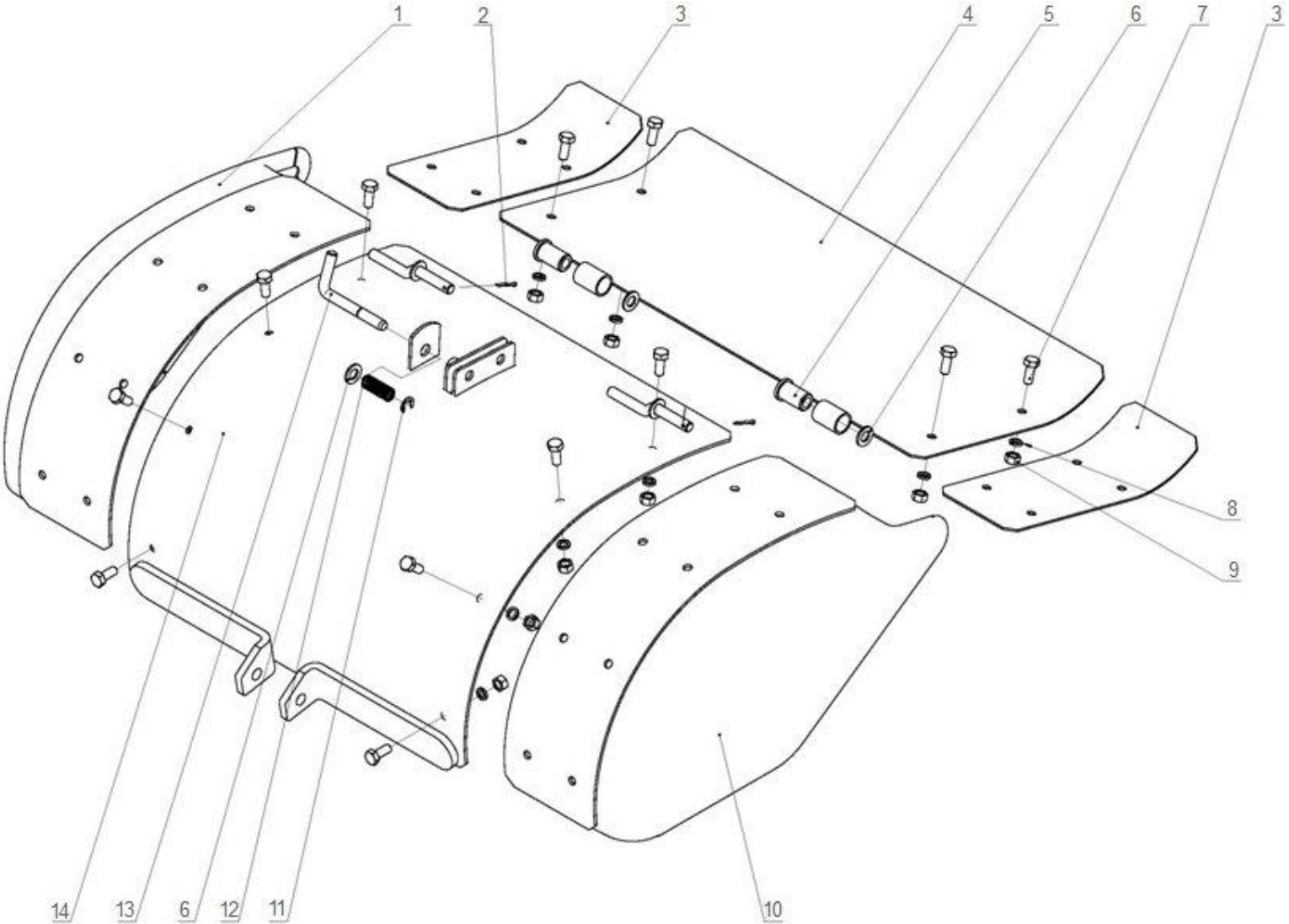
Ref. No	Parts Code	Parts Name	Q"ty	Remarks
1	GB/T5783-2000	Hex full threaded bolt M6x20	1	
2	GB/T5287-2002	Gasket	1	
3	11.120.085.0002	Rubber gasket Φ8	2	
4	11.120.133.0001	Connector	1	
5	12.015.028.0025	FB-type Lip seal 28x50x7	1	
6	12.009.003.0001	Bearing S7004	1	
7	12.009.001.0171	Deep groove ball bearing 6204	1	
8	11.152.040.0003	Rotary tiller bevel pinion	1	
9	11.106.001.0191	Rotary tiller transmission case	1	
10	GB/T900-1988	Stud bolt M8x20	4	
11	11.106.032.0050	Gasket, rotary tiller transmission case	1	
12	11.114.001.0240	Connecting frame	1	
13	GB/T97-2002	Flat washer 8	8	
14	GB/T93-1987	Spring washer 8	4	
15	GB/T6184-2000	Hex lock nut M8	4	
16	12.015.028.0019	FB-type lip seal 25x35x7	2	
17	12.009.001.0192	Deep groove ball bearing 6205	2	
18	11.102.020.0003	Aluminum gasket 14	1	
19	11.120.105.0015	Hex plug M14x1.5x12	1	
20	11.106.009.0650	Rotary splined output shaft	1	
21	GB894.1-86	Cir-clip A-type 30	1	
22	11.152.040.0004	Rotary tiller big bevel pinion	1	
23	11.106.025.0004	Gasket, side cover	1	
24	11.103.011.0040	Side cover	1	
25	GB/T5783-2000	Hex full threaded bolt M8x25	4	

Rotary Tiller Left Blade Holder 11.110.000.1300



Ref. No	Parts Code	Parts Name	Q"ty	Remarks
1	11.120.002.0013	Blade handle flange plate	1	
2	11.110.003.0003	Right rotary tilling blade	6	
3	11.110.003.0002	Left rotary tilling blade	4	
4	11.110.002.0680	Blade holder	2	
5	GB/T889.1-2000	Hex nut M8	12	
6	GB/T5783-2000	Hex full threaded bolt M8x35	8	
7	GB/T5783-2000	Hex full threaded bolt M8x25	4	

Rotary Tiller Protective Fender



Rotary Tiller Protective Fender

Ref. No	Parts Code	Parts Name	Q"ty	Remarks
1	11.120.144.0003	Rotary tiller protective fender C	1	
2	GB/T91-2000	Split pin AB-type 2.5x30	2	
3	11.120.143.0001	Vice board, Rotary tiller protective fender C	2	
4	11.120.144.0001	Rotary tiller protective fender A	1	
5	11.102.055.0002	Vibration absorber	2	
6	GB/T97-2002	Gasket 10	3	
7	GB/T5781-2000	Hex full threaded bolt M8x20	12	
8	GB/T93-1987	Gasket 8	12	
9	GB/T6170-2000	Hex nut 8	12	
10	11.120.144.0002	Rotary tiller protective fender B	1	
11	GB/T896-86	Split pin 8	1	
12	11.120.104.0110	Spring	1	
13	11.120.142.0001	L type pin	1	
14	11.120.144.0004	Rotary tiller protective fender D	1	