



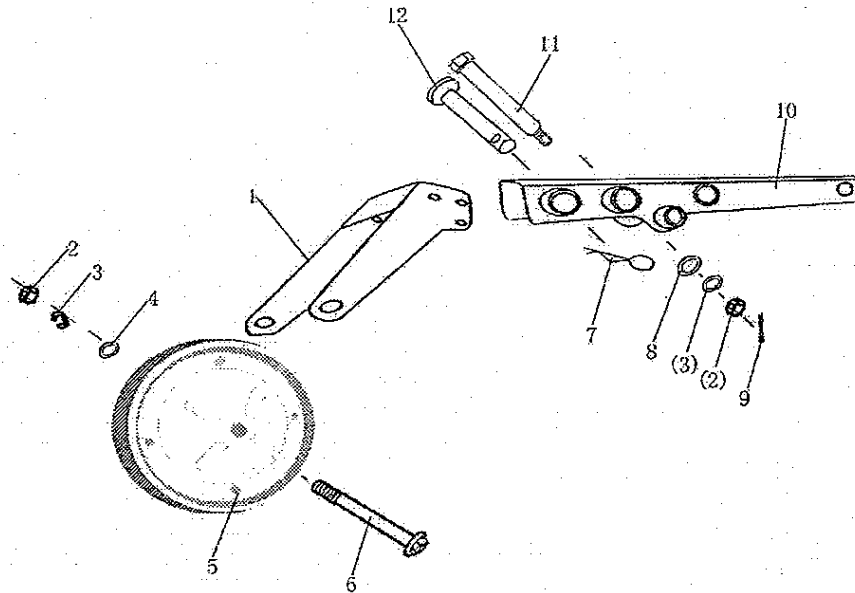
PARTS CATALOG

TM-500

CONTENTS

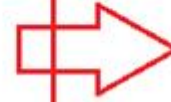
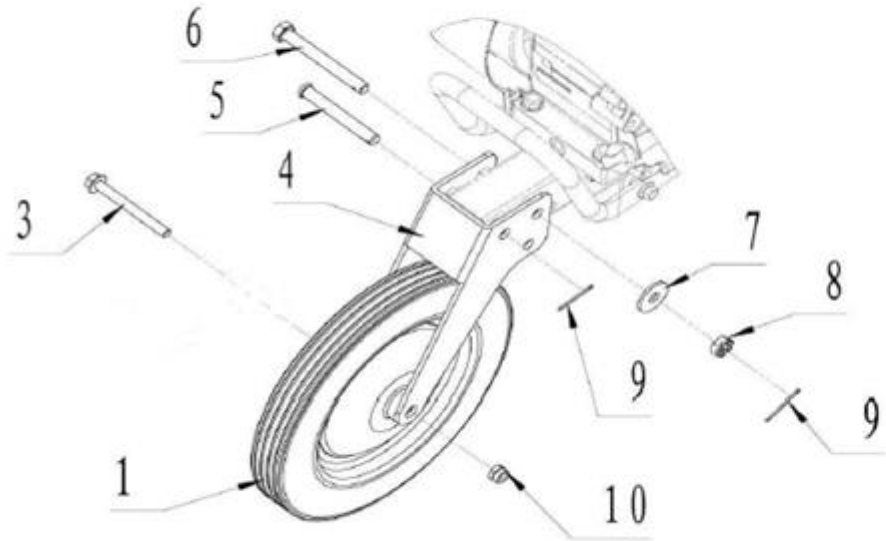
	page
1. Front wheel.....	3
2. Tension.....	4
3. Control.....	5 & 6
4. Gear box-1.....	7 & 8
5. Gear box-2.....	9
6. Rotary tiller.....	10
7. Safety shield.....	11
8. Joint	12 & 13
9. Deep furrowing resistance.....	14
10. Ditch.....	15 & 16

Front wheel

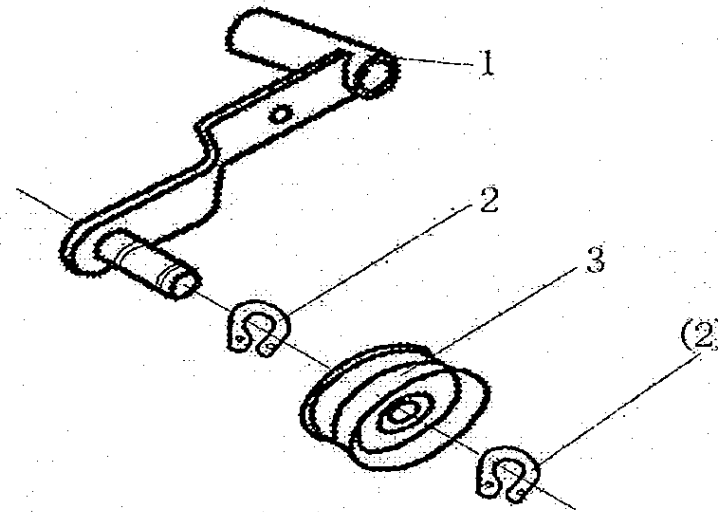


Ref. No	Parts No	Parts Name	Q'ty	Remarks	Ref. No	Parts No	Parts Name	Q'ty	Remarks
1	51102-M101A-0000	Front wheel stand	1		7	91016-M101A-0000	Clip D	1	
2	GB6178-86	Nut M8	2		8	GB97.2-85	Washer 10	1	
3	GB93-87	Spring washer 8	2		9	GB91-86	Cotter pin 2x20	1	
4	GB97.2-85	Washer 8	1		10	51140-M101A-0000	Joint pole comp	1	
5	51150-M101A-0000	Front wheel	1		11	51040-M101A-0000	Bolt M8x80	1	
6	GB5789-86	Bolt M8x75	1		12	GB882-86	Pin 10x76	1	

FRONT WHEEL KIT, Code : 11.112.000.0001

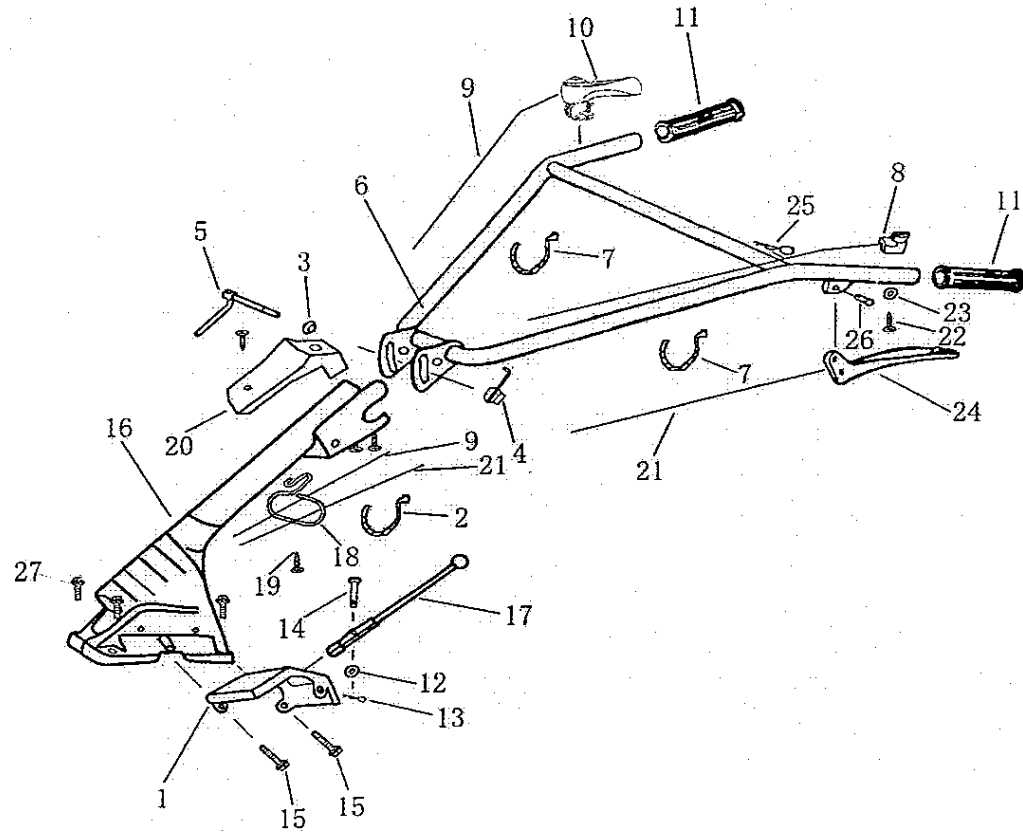


Tension



Ref. No	Parts No	Parts Name	Q' ty	Remarks	Ref. No	Parts No	Parts Name	Q' ty	Remarks
1	23110-M101A-0000	Stand Jointing Comp	1		3	23120-M101A-0000	Tension jointing	1	
2	GB894.1-86	C clip 10	2						

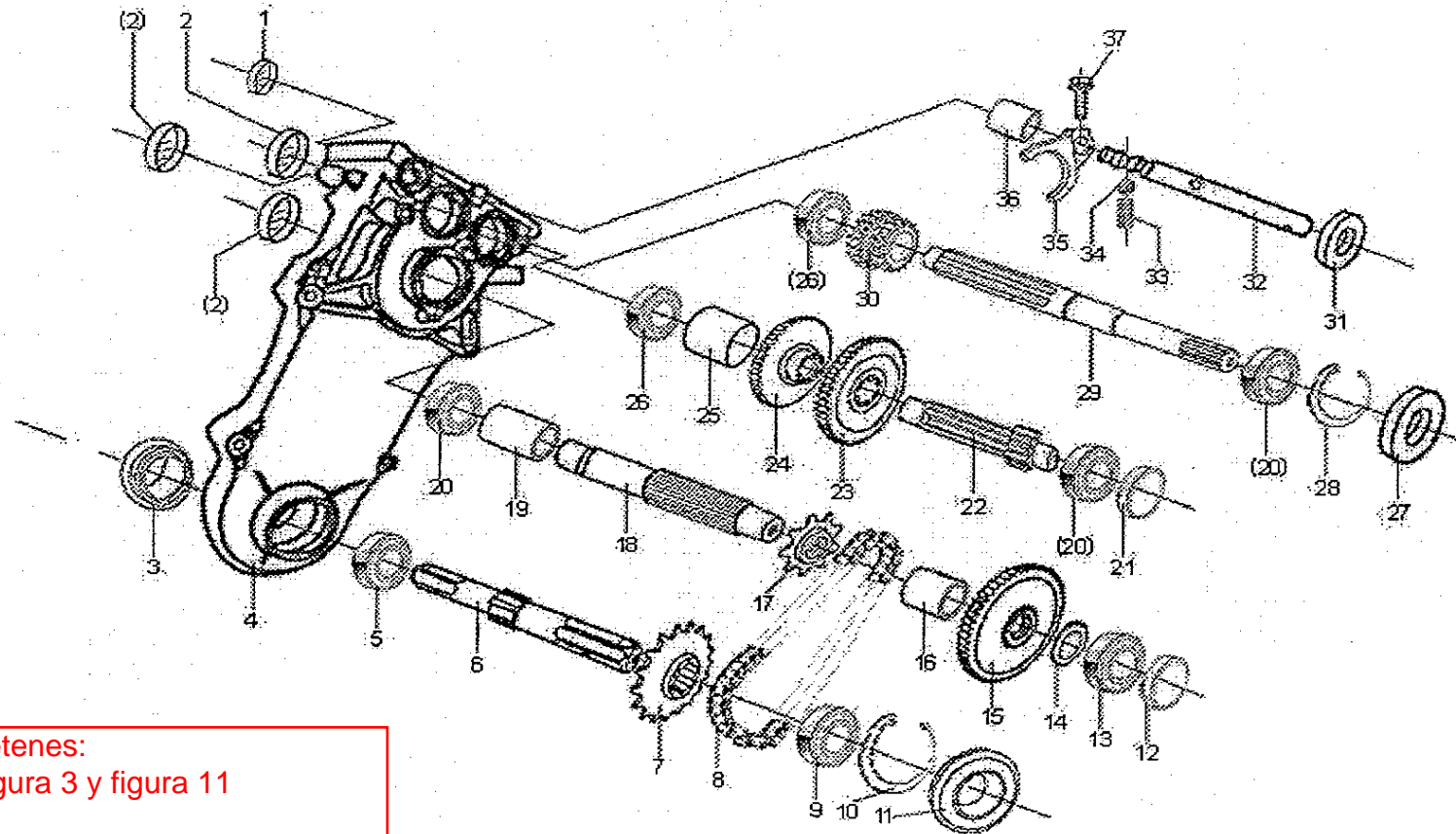
Control



Control

Ref. No	Parts No	Parts Name	Q 'ty	Remarks	Ref. No	Parts No	Parts Name	Q 'ty	Remarks
1	70006-M101A-0000	Gear position indication stand	1		15	GB5789-86	Bolt M6x10	2	
2	91006-M101A-0000	Band A	1		16	70092-M101A-0000	Standing pipe jointing	1	
3	70005-M101A-0000	Wimble bush	1		17	70080-M101A-0000	Shift lever	1	
4	70070-M101A-0000	Stand comp	1		18	70001-M101A-0000	Loop	1	
5	70060-M101A-0000	Handle adjuster comp	1		19	GB6560-86	Screw M5x11	4	
6	70050-M101A-0000	Handle comp	1		20	70040-M101A-0000	Inlet cover	1	
7	91005-M101A-0000	Band B	2		21	70030-M101A-0000	Tension cable	1	
8	84000-M101A-0000	Shut down switch comp	1		22	GB818-85	Screw M3x11	1	
9	70010-M101A-0000	Throttle cable comp	1		23	GB97.2-85	Washer	1	
10	70020-M101A-0000	Throttle handlebar	1		24	70002-M101A-0000	Tension handle	1	
11	70003-M101A-0000	Grip	1		25	91013-M101A-0000	Clip B	1	
12	GB97.2-85	Washer	1		26	91019-M101A-0000	Pin 8x27	1	
13	91012-M101A-0000	Clip A	1		27	GB5787-86	Bolt M8x16	4	
14	GB882-86	Pin 5x23	1						

Gear box -1

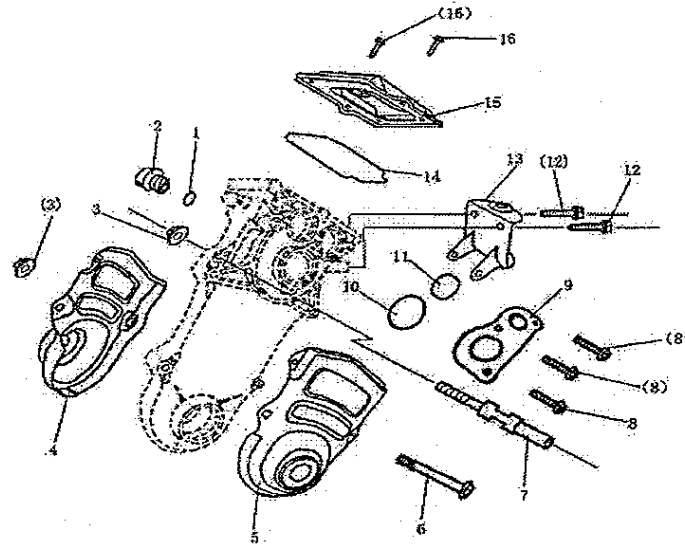


retenes:
figura 3 y figura 11

Gear box - 1

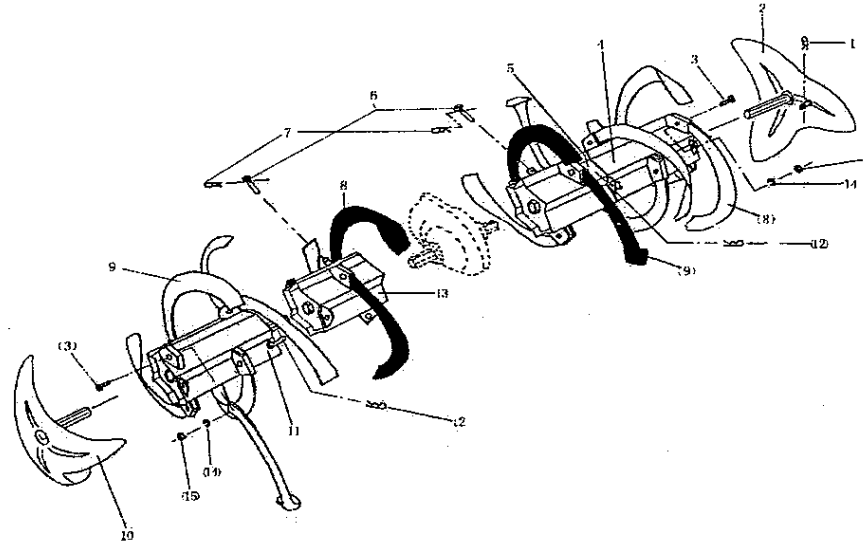
Ref. No	Parts No	Parts Name	Q' ty	Remarks	Ref. No	Parts No	Parts Name	Q' ty	Remarks
1	90006-M101A-0000	Oil plug B	1		20	GB/T276-94	Bearing 6202	3	
2	90005-M101A-0000	Oil plug A	3		21	23003-M101A-0000	Bush C	1	
3	90140-M101A-0000	Oil seal B	1		22	23205-M101A-0000	Counter shaft	1	
4	23005-M101A-0000	Gear box	1		23	23202-M101A-0000	The 1 st driven gear	1	
5	GB/T276-94	Bearing 6005	1		24	23204-M101A-0000	The 2 nd driven gear	1	
6	23216-M101A-0000	Driven sprocket shaft	1		25	23201-M101A-0000	Bush F	1	
7	23215-M101A-0000	Driven sprocket	1		26	GB/T276-94	Bearing 6002	2	
8	23230-M101A-0000	Chain	1		27	90150-M101A-0000	Oil seal 16x35x7	1	
9	GB/T276-94	Bearing 6205	1		28	GB893.1-86	C clip 35	1	
10	GB893.1-86	Check ring 52	1		29	23214-M101A-0000	Main shaft	1	
11	90130-M101A-0000	Oil seal A	1		30	23213-M101A-0000	Two-throw gear	1	
12	23004-M101A-0000	Bush D	1		31	90120-M101A-0000	Oil seal 12x22x6	1	
13	GB/T276-94	Bearing 6203	1		32	23101-M101A-0000	Shift fork shaft	1	
14	23006-M101A-0000	Backup plate	1		33	23104-M101A-0000	Spring	1	
15	23211-M101A-0000	Driving gear	1		34	GB308-89	Steel ball S ϕ 6.35	1	
16	23209-M101A-0000	Bush I	1		35	23103-M101A-0000	Shift fork	1	
17	23208-M101A-0000	Driving sprocket	1		36	23102-M101A-0000	Bush E	1	
18	23212-M101A-0000	Driving sprocket shaft	1		37	GB5789-86	Bolt M6x20	1	
19	23207-M101A-0000	Bush H	1						

Gear box - 2



Ref. No	Parts No	Parts Name	Q' ty	Remarks	Ref. No	Parts No	Parts Name	Q' ty	Remarks
1	90008-M101A-0000	O-ring 17x2.3	1		9	90001-M101A-0000	Oil stopper	1	
2	90007-M101A-0000	Oil hole plug	1		10	90003-M101A-0000	O-ring ϕ 45.5x2.5	1	
3	GB6177-86	Nut M8	2		11	90002-M101A-0000	O-ring ϕ 40.5x2.5	1	
4	63102-M101A-0000	Gear box right cover	1		12	GB5789-86	Bolt M8x20	2	
5	63101-M101A-0000	Gear box left cover	1		13	36010-M101A-0000	Hinge comp	1	
6	GB5789-86	Bolt M6x40	1		14	90004-M101A-0000	Seal ring of top cover	1	
7	23002-M101A-0000	Take-up tumbler backing roll	1		15	63120-M101A-0000	Top cover comp of gear box	1	
8	GB5789-86	Bolt M6x12	3		16	GB5789-86	Bolt M6x14	2	

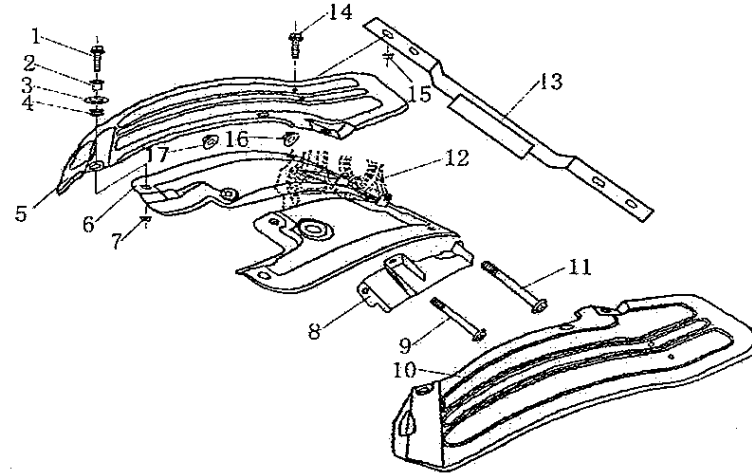
Rotary tiller



Ref. No	Parts No	Parts Name	Q' ty	Remarks	Ref. No	Parts No	Parts Name	Q' ty	Remarks
1	91022-M101A-0000	Garter spring F	2		9	92401-M101A-0000	Rotary blade A	9	
2	92540-M101A-0000	Right end cheek comp	1		10	92440-M101A-0000	Left end cheek comp	1	
3	GB5786-86	Bolt M8x18	18		11	92430-M101A-0000	Left outside blade holder comp	1	
4	92530-M101A-0000	Right outside blade holder comp	1		12	91022-M101A-0000	Garter spring F	2	
5	92520-M101A-0000	Right inside blade holder comp	1		13	92420-M101A-0000	Left inside blade holder comp	1	
6	91018-M101A-0000	Pin spindle	2		14	GB93-87	Washer 8	18	
7	91017-M101A-0000	Garter spring E	2		15	GB6170-86	Nut M8	18	
8	92402-M101A-0000	Rotary blade B	9						

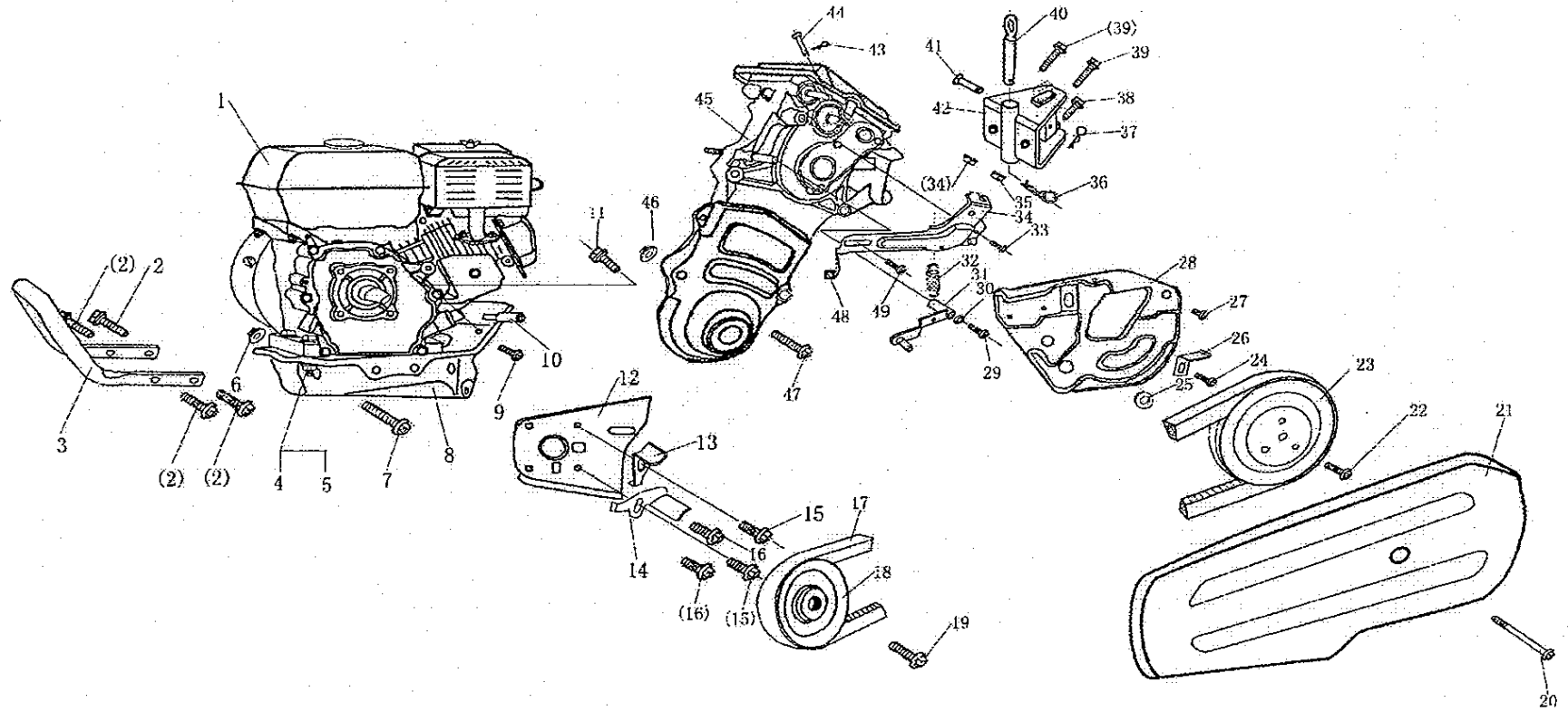
92402-M101ACUCHILLA DERECHA
92401-M101ACUCHILLA IZQUIERDA

Safety shield



Ref. No	Parts No	Parts Name	Q' ty	Remarks	Ref. No	Parts No	Parts Name	Q' ty	Remarks
1	GB5789-86	Bolt M6x16	6		10	60009-M101A-0000	Left fender	1	
2	91011-M101A-0000	Bush J	6		11	GB5789-86	Bolt M10x90	1	
3	GB97.2-85	Washer 12	6		12	23000-M101A-0000	Gear box unit	1	
4	91009-M101A-0000	Rubber sleeve	6		13	60400-M101A-0000	Connecting plate	1	
5	60011-M101A-0000	Right fender	1		14	GB5789-86	Bolt M6x12	4	
6	60200-M101A-0000	Inner fender	6		15	GB6177-86	Nut M6	4	
7	GB6177-86	Nut M6	6		16	GB6177-86	Nut M10	1	
8	60100-M101A-0000	Strengthening plate	1		17	GB6177-86	Nut M8	1	
9	GB5789-86	Bolt M8x70	1						

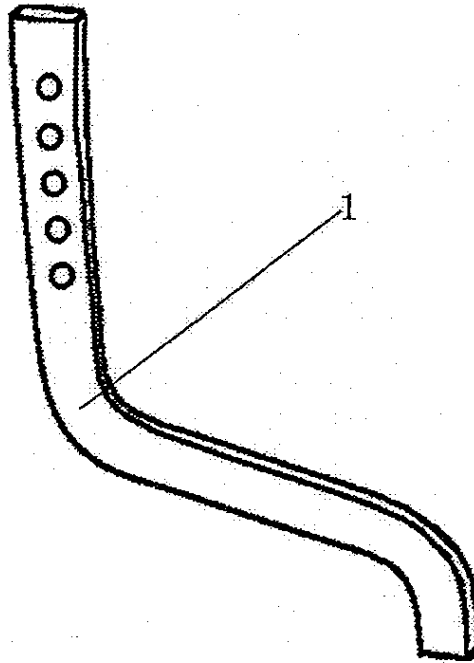
Joint



Joint

Ref. No	Parts No	Parts Name	Q' ty	Remarks	Ref. No	Parts No	Parts Name	Q' ty	Remarks
1	10000-M101A-0000	Gasoline engine	1		26	60002-M101A-0000	V-belt guard A	1	
2	GB5789-86	Bolt M8x16	4		27	GB5789-86	Bolt M6x8	1	
3	32001-M101A-0000	Handrail	1		28	60003-M101A-0000	Passivity pulley plate	1	
4	GB6177-86	Nut M8	4		29	GB5789-86	Bolt M6x12	1	
5	GB5789-86	Bolt M8x35	4		30	GB96	Washer 6	1	
6	GB6177-86	Nut M10	2		31	23110-M101A-0000	Support welding comp	1	
7	GB5789-86	Bolt M10x40	2		32	92001-M101A-0000	Tension spring	1	
8	31000-M101A-0000	Engine bearer	1		33	GB5789-86	Bolt M8x18	1	
9	GB5789-86	Bolt M6x14	1		34	91100-M101A-0000	Connecting plate	1	
10	92002-M101A-0000	Tension Buffer	1		35	GB6177-86	Nut M8	2	
11	GB5789-86	Bolt M8x16	2		36	91015-M101A-0000	Garter spring C	1	
12	60006-M101A-0000	Driving pulley plate	1		37	91013-M101A-0000	Garter spring B	1	
13	60004-M101A-0000	V-belt guard B	1		38	GB5789-86	Bolt M8x20	1	
14	60005-M101A-0000	V-belt guard C	1		39	GB5789-86	Bolt M8x32	2	
15	GB5789-86	Bolt M8x16	2		40	91014-M101A-0000	Pin spindle	1	
16	GB5789-86	Bolt M8x14	2		41	GB882-86	Pin spindle 8x30	1	
17	22010-M101A-0000	V-belt	1		42	92130-M101A-0000	Rotary blade connecting set	1	
18	23020-M101A-0000	Driving pulley	1		43	91012-M101A-0000	Garter spring A	1	
19	GB5789-86	Bolt M8x21	1		44	GB882-86	Pin spindle 5x23	1	
20	GB5789-86	Bolt M6x50	1		45	23000-M101A-0000	Gear box unit	1	
21	60300-M101A-0000	Belt protector	1		46	GB6177-86	Nut M8	1	
22	GB5789-86	Bolt M8x18	1		47	GB5789-86	Bolt M8x55	1	
23	23010-M101A-0000	Drive pulley comp	1		48	91003-M101A-0000	Rubber sleeve B	1	
24	GB5789-86	Bolt M6x16	1		49	GB5789-86	Bolt M8x18	1	
25	91003-M101A-0000	Rubber sleeve A	1						

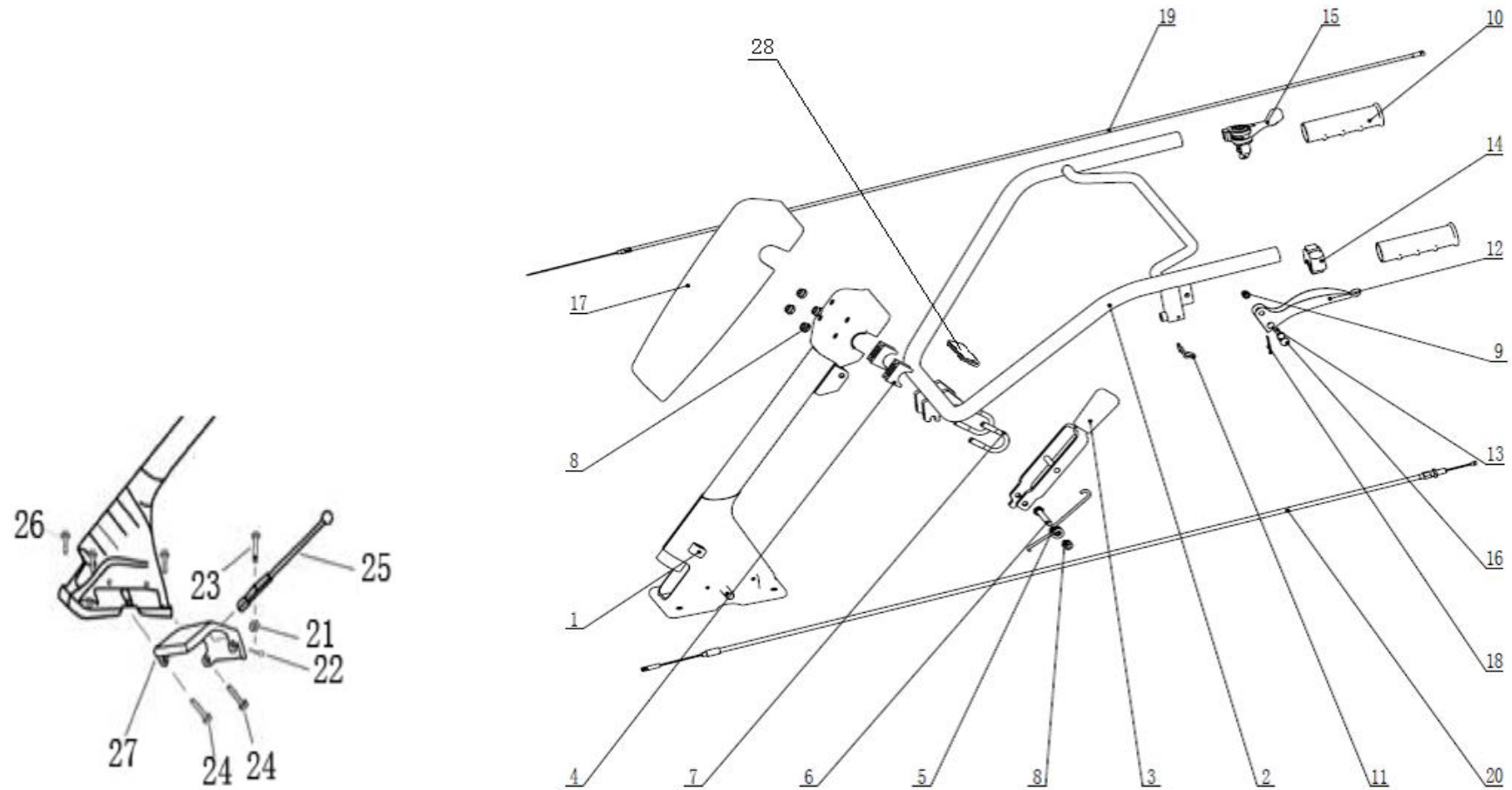
Deep furrowing resistance



Ref. No	Parts No	Parts Name	Q' ty	Remarks	Ref. No	Parts No	Parts Name	Q' ty	Remarks
1	92102-M101A-0000	Deep furrowing resistance part	1						

NUEVO MANILLAR REGULABLE EN ALTURA TM500

Control-New Handrail



Control – New Handrail

ref. correcta
12.015.029.0001

ref. correcta
11.101.062.0002

Ref. No	Parts No	Parts Name	Q 'ty	Remarks	Ref. No	Parts No	Parts Name	Q 'ty	Remarks
1	T0308010	New handrail seat	1		15	T0308110	New throttle switch	1	
2	T0308020	New handrail	1		16	T0308120	Cable connector 10x24	1	
3	T0308030	Adjustable height handle	1		17	T0308150	Cover of new handrail	1	
4	T0308040	Handle support block	2		18	GB91	Clip 2.5x25	1	
5	T0308050	Adjustable height torsion spring	1		19	T0308130	New throttle cable	1	
6	GB5780	Hexagon bolt M8x50-C	1		20	T0308140	New clutch cable	1	
7	T0308040	U-shaped stud	2		21	GB97.2-85	Washer	1	
8	GB889.1	Hexagon nut M8-C	5		22	91012-M101A-0000	Clip A	1	
9	GB889.1	Hexagon nut M6-N	1		23	GB882-86	Pin 5x23	1	
10	T0308070	Grip	2		24	GB5789-86	Bolt M6x10	2	
11	T0308080	Clutch button	1		25	70080-M101A-0000	Shift lever	1	
12	T0308090	Handle	1		26	GB5787-86	Bolt M8x16	4	
13	GB5781	Hexagon bolt M6x25-C	1		27	70006-M101A-0000	Gear position indication stand	1	
14	T0308100	New shut down stich	1		28	T0308160	U type strip	1	

PS. Ref. No. 21~27 parts are same as the old of the un-adjustable height handrail.