



**PARTS CATALOG**

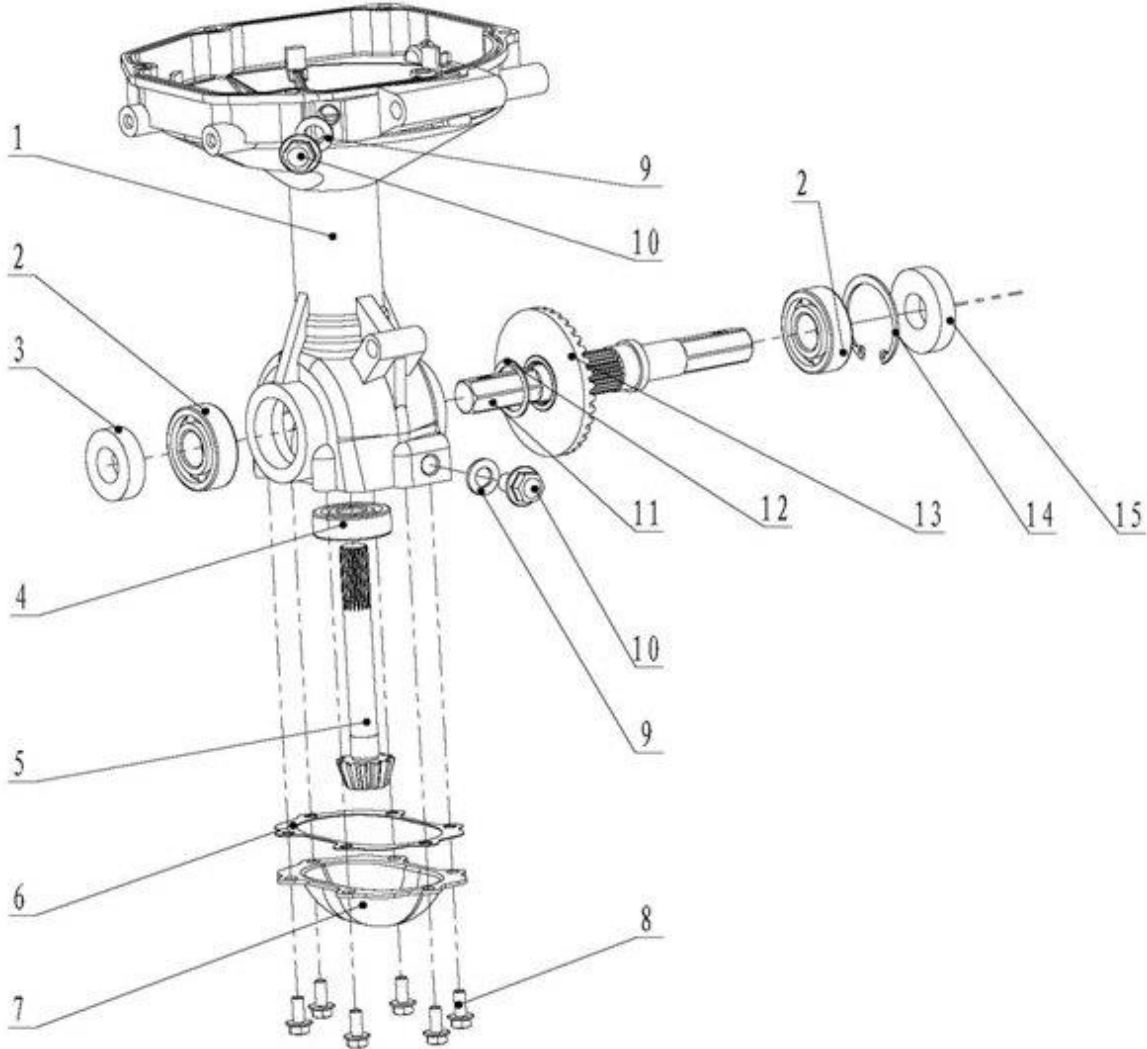
**MOTOAZADA**

**TM-400G**

## CONTENTS

	page
1. Walking Case.....	3~4
2. Transmission.....	5~6
3. Control.....	7~8
4. Assembling.....	9
5. Rotary Tiller – left .....	10
6. Bumper Bar with Front Wheel.....	11~12

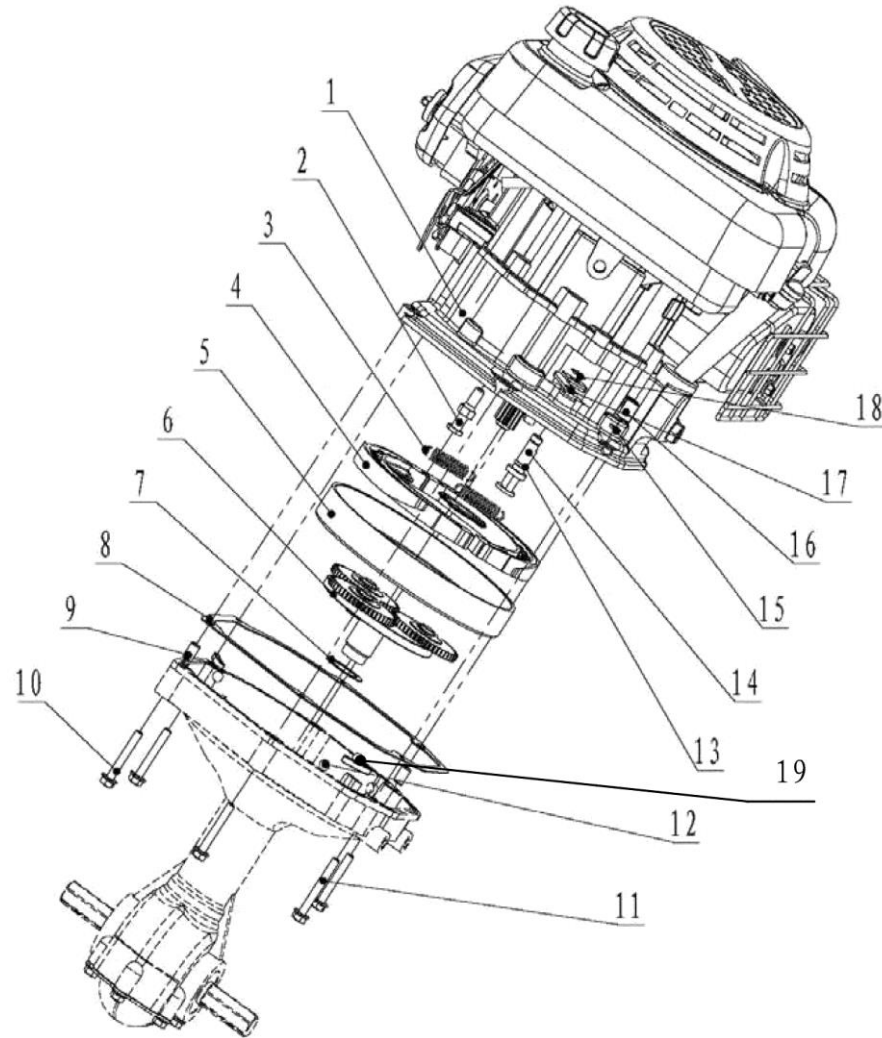
# Walking Case



## Walking Case

Ref. No	Parts No	Parts Name	Q'ty	Remarks	Ref. No	Parts No	Parts Name	Q'ty	Remarks
1	T0101001	Under parts, gear box	1		9		Aluminum gasket 10	2	
2	GB/T276-1994	Bearing 6204	2		10		Drain bolt M10x1.25-14	2	
3	33478	Oil seal 20x40x10.5	1		11	T0101009	Output shaft	1	
4	GB/T276-1994	Bearing 6302	1		12		Gasket 25.2x32x1	1	
5	T0101007	Bevel gear shaft	1		13	T0101008	Notched plate	1	
6	T0101011	Gasket, under parts cover	1		14	GB/T93.1-1986	Clip 47	1	
7	T0101010	Under parts cover	1		15	33479	Oil seal 20x47x9.5	1	
8	GB/T5789-1986	Bolt M6x14	6						

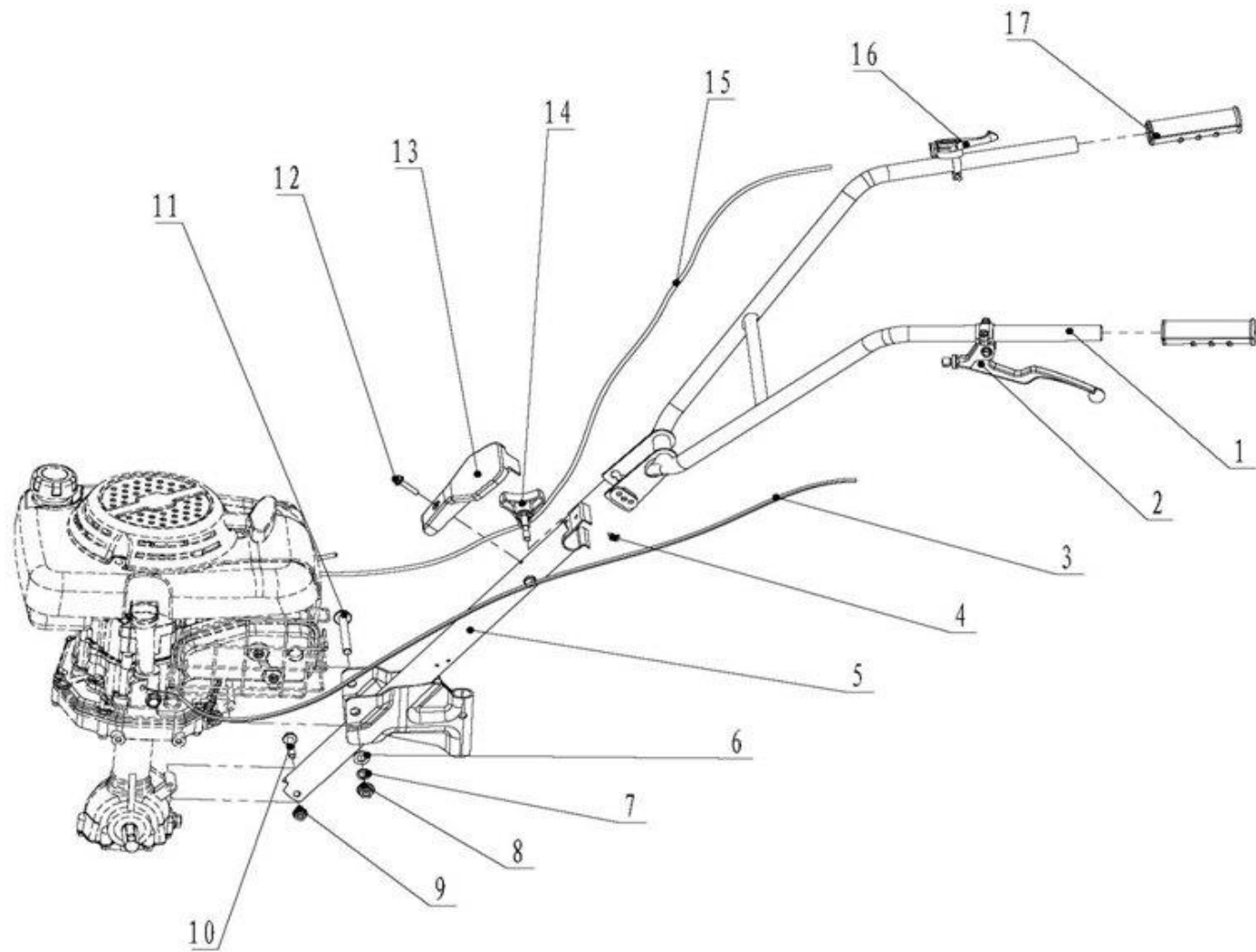
# Transmission



## Transmission

Ref. No	Parts No	Parts Name	Q'ty	Remarks	Ref. No	Parts No	Parts Name	Q'ty	Remarks
1		GEV160 engine	1		11	GB/T5789-1986	Bolt M6x50	1	
2	T0101003	Dowel, unguate clutch	1		12	GB/T308-89	Steel ball Ø8	3	
3	T0101004	Spring, unguate clutch	2		13	T0101016	Sealing ring, fork shaft	1	
4	T0101002	Ungulate clutch	2		14	T0101005	Fork shaft	1	
5	T0101101	Frictional tray	1		15	GB/T93-1987	Washer 6	1	
6	T0101100	Planet gear	1		16	T0107003	Dowel, clutch cable	1	
7	T0101013	Wear-resistant gasket 23x33x0.5	1		17	T0101006	Fork	1	
8	T0101015	Sealing gasket, under parts	1		18	GB/T894.1-1986	Clip 10	1	
9	T0101012	Dowel Ø8x14	2		19	T0101014	Steel box pad	3	
10	GB/T5789-1986	Bolt M6x43	5						

# Control

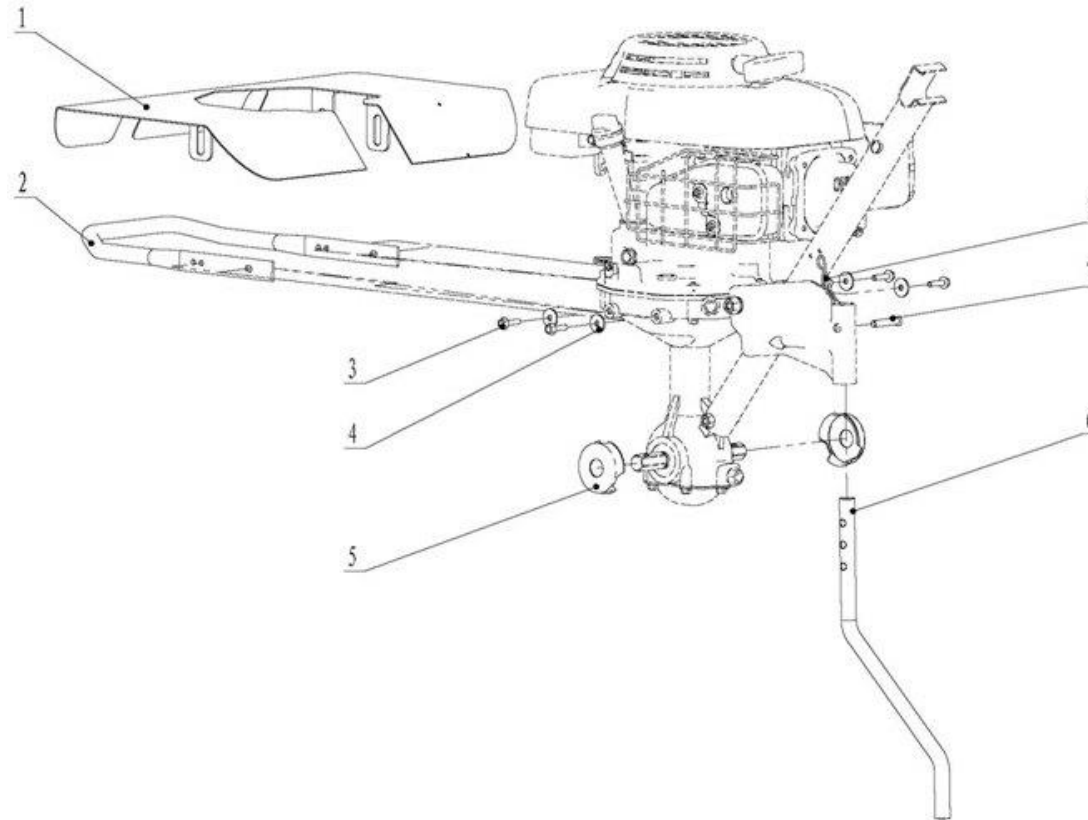


## Control

Ref. No	Parts No	Parts Name	Q'ty	Remarks	Ref. No	Parts No	Parts Name	Q'ty	Remarks
1	T0103101	Handrail	1		10	GB/T5789-1986	Bolt M8x45	1	
2	T0103200	Clutch handlebar	1		11	GB/T5789-1986	Bolt M10x1,25x90	1	
3	T0103001	Clutch cable	1		12	GB/T5789-1986	Bolt M6x30	1	
4	GB/T845-1985	Bolt ST4.8x12	1		13	T0107002	Cover, handrail	1	
5	T0102000	Standing pipe	1		14	T0107009	Adjustable handle	1	
6	GB/T97.1-1985	Gasket 10	1		15	T0103003	Throttle cable	1	
7	GB/T93-1987	Washer 10	1		16	11.101.031.0002	Throttle switch	1	
8	GB/T6177.1-2000	Bolt M10x1.25	1		17	T0103002	Hand grip Ø22	2	
9	GB/T6177.1-2000	Nut M8	1						

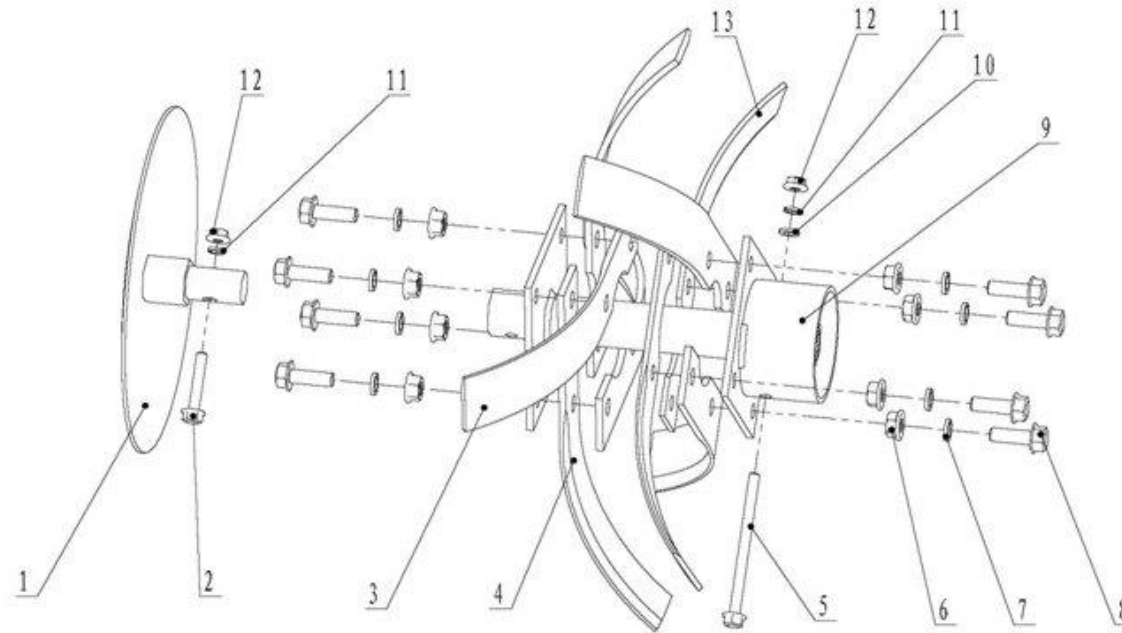


## Assembling



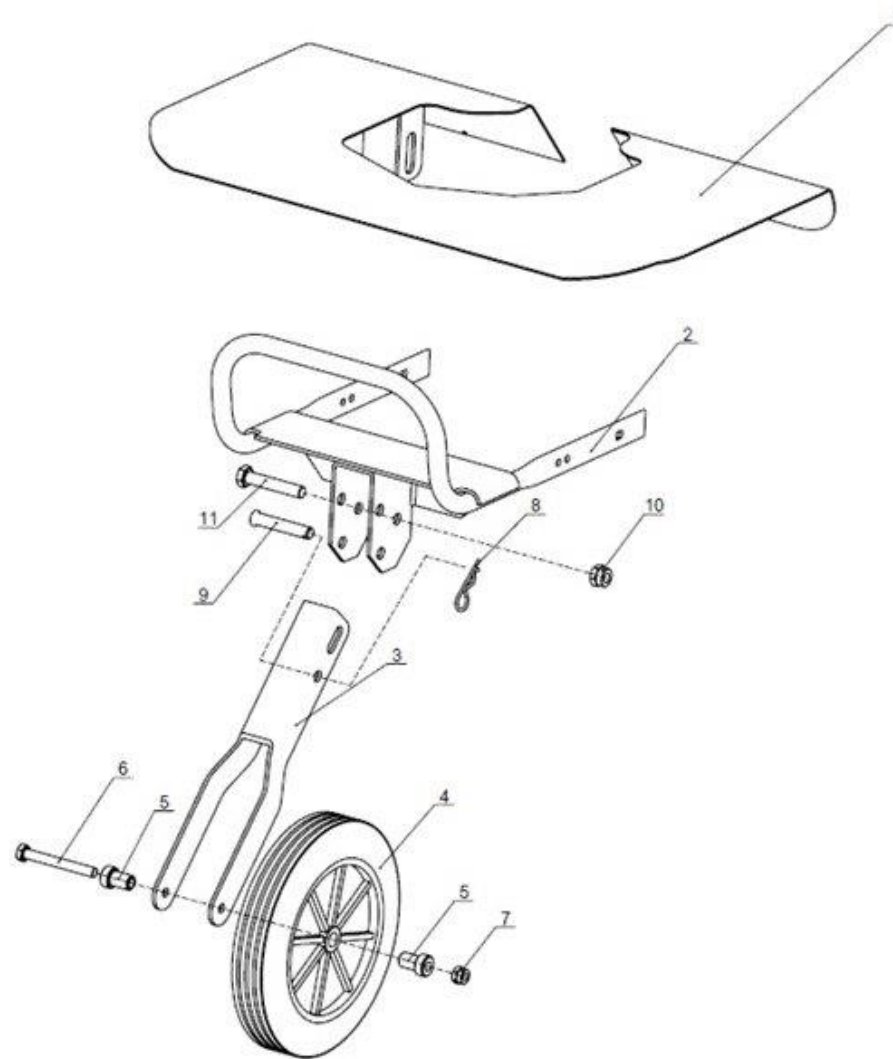
Ref. No	Parts No	Parts Name	Q'ty	Remarks	Ref. No	Parts No	Parts Name	Q'ty	Remarks
1	T0104001	Fender	1		5	T0107004	Shaft cover	2	
2	T0107001	Bumper bar	1		6	T0105000	Resistance rod	1	
3	GB/T5789-1986	Bolt M6x25	4		7	GB/T882-1986	Pin 8x43	1	
4	GB/T5287-1985	Gasket 6x22x2	4		8		Clip B ( Clip B Ø2.2)	1	

## Rotary tiller - Left



Ref. No	Parts No	Parts Name	Q' ty	Remarks	Ref. No	Parts No	Parts Name	Q' ty	Remarks
1	T0106006	Round disc	1		8	GB/T5789-1986	Bolt M8x25	8	
2	GB/T5789-1986	Bolt M6x35	1		9	T0106001	Blade tube	1	
3	T0106002	Blade (long) - left	4		10	GB/T97.1-1985	Gasket 6	1	
4	T0106003	Blade (long) - right	2		11	GB/T93-1987	Washer 6	2	
5	GB/T5789-1986	Bolt M6x85	1		12	GB/T6177.1-2000	Nut M6	2	
6	GB/T6177.1-2000	Nut M8	8		13	T0106005	Blade (short) - right	2	
7	GB/T93-1987	Washer 8	8			9904	Juego fresas + cuchillas + plato		

## Bumper Bar with Front Wheel



## Bumper Bar & Front Wheel

Ref. No	Parts No	Parts Name	Q' ty	Remarks	Ref. No	Parts No	Parts Name	Q' ty	Remarks
1	T0104002	Fender, front wheel	1		7	GB/T889.1-2000	Nut M8	1	
2	T0107005	Bumper bar, front wheel	1		8		Clip B	1	
3	T0107006	Support frame, front wheel	1		9	GB/T882-1986	Pin 10x55	1	
4	T0107008	Rubber wheel SR0804 (8x1.75)	1		10	GB/T889.1-2000	Nut M10	1	
5	T0107007	Fixed sheath	2		11	GB/T5780-2000	Bolt M10x55	1	
6	GB/T5780-2000	Bolt M8x70	1						