

GASOLINE POWER TILLER

PARTS CATALOG

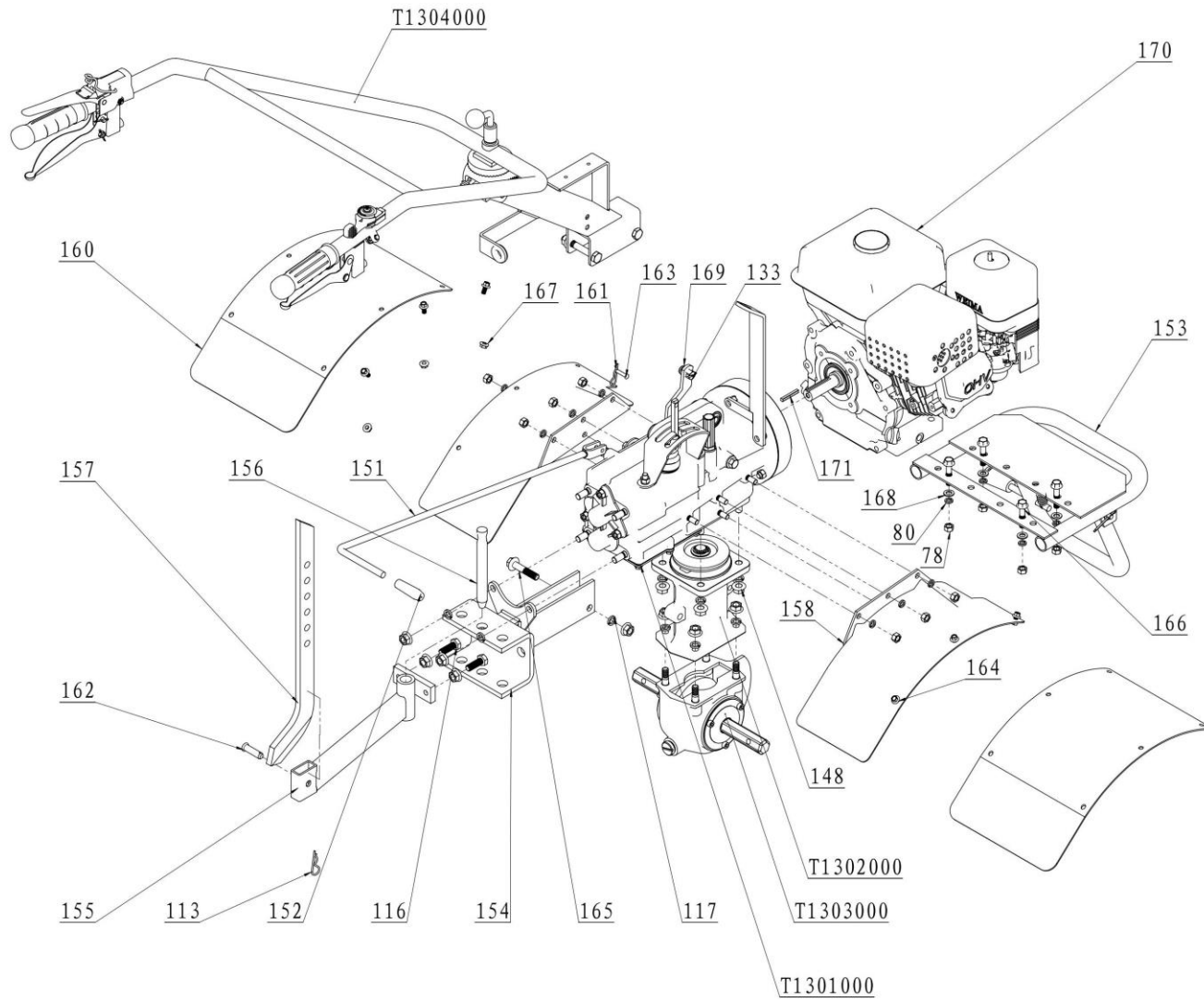
Model:

TM-1000

CONTENTS

	page
1. Main parts T1300000.....	3~ 4
2. Transmission case assy T1301000.....	5 ~ 7
3. Handle control assy T1304000.....	8~ 9
4. Clutch Assy T1301045.....	10
5. Walking case assy – upper body T1302000.....	11~12
6. Walking case assy – lower body T1303000.....	13~14
7. Rotary tiller assy T1307000.....	15~16
8. Wheel assy T1306000.....	17~18

Main parts T1300000

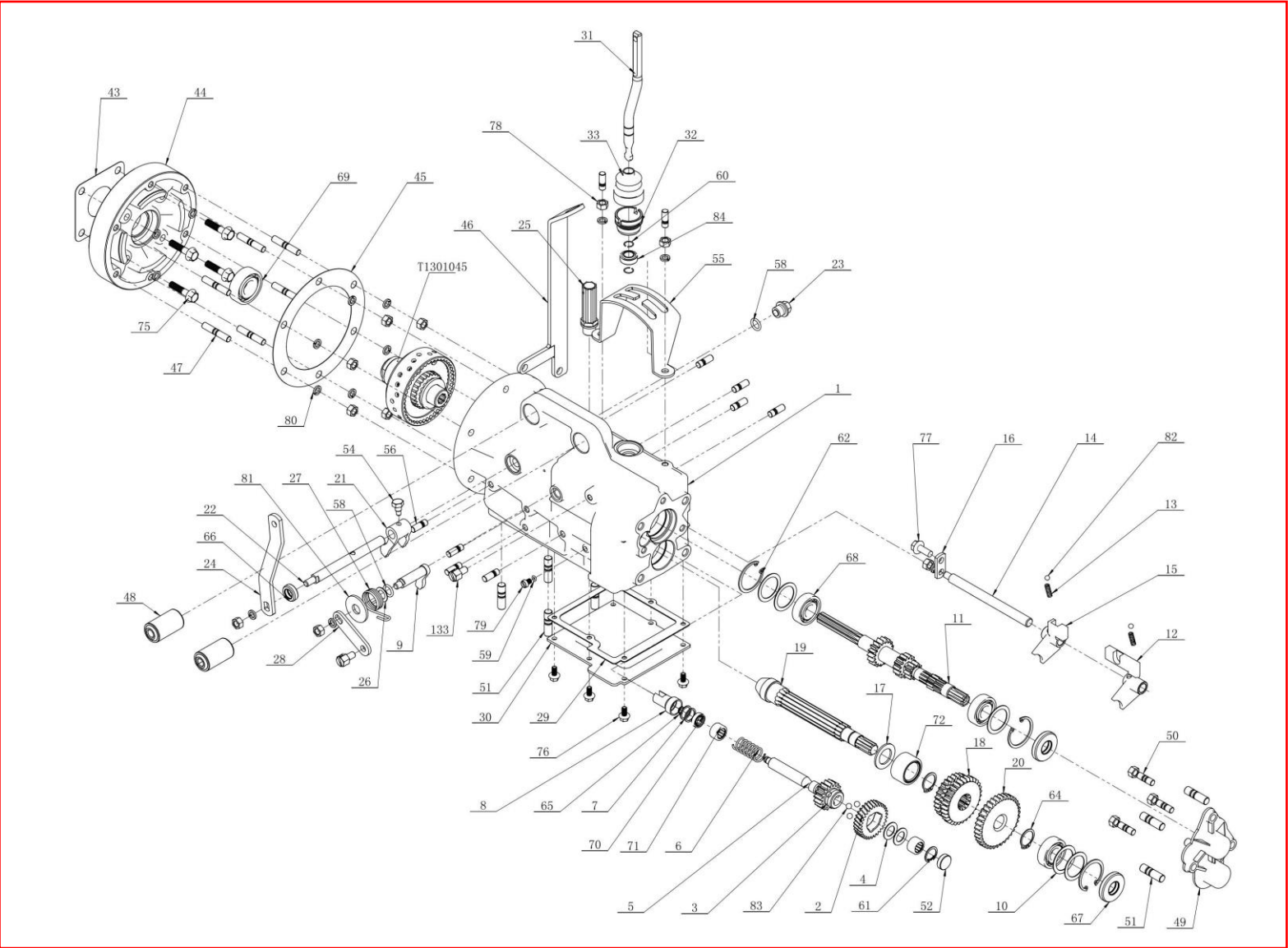


Main parts T1300000

Ref. No	Parts No	Parts Name	Q'ty	Remarks	Ref. No	Parts No	Parts Name	Q'ty	Remarks
	T10301000	Gear box comp	1		156	T1305005	Pin	1	
	T10302000	Walking case upper body comp	1		157	T1305006	Resistance rod	1	
	T10303000	Walking case lower body comp	1		158	T1305009	Dust fender (R)	1	
	T01304000	Handle frame comp	1		159	T1305010	Dust fender (L)	1	
78	GB/T6170-2000	Hex nut M8 grade A & B	12		160	T1305012	Vice fender	2	
80	GB/T93-1987	Elastic washer 8	12		161	T1306006	Clip F	1	
113	T1306006	Clip B	1		162	GB 882-88	Pin 10x35	1	
116	GB/T5783-2000	Full thread hex head bolt M10x30	2		163	GB 882-88	Pin 5x24	1	
117	GB/T93-1987	Spring washer 10x2.6	11		164	GB/T16674-1996	Hexagon flange nut m6x12	6	
133	T1304011	Clutch cable fixing slot	1		165	GB/T5789-1986	Hexagon flange bolt M10x50	1	
148	GB/T6177.1-2000	Hexagon flange nut M10 grade A	13		166	GB/T5789-1986	Hexagon flange bolt M8x40	4	
151	T1304013	Shift rod	1		167	GB/T6177.1-2000	Hexagon flange nut M6	6	
152	T1304030	Rubber grip	1		168	GB/T95-2002	Flat washer 8x1.6 grade C	4	
153	T1305001	Engine support	1		169	GB/T889.1-2000	Metallic insert steel hexagon Nut M8	2	
154	T1305002	Hinged frame	1		170	E1100000	Engine GE200 Q shaft	1	
155	T1305004	Connecting frame	1		171	GB/T1096-1979	Flat key 4.78x4.78x35	1	

Transmission case assy T1301000

TRASMISION COMPLETA
REF : 111020000302



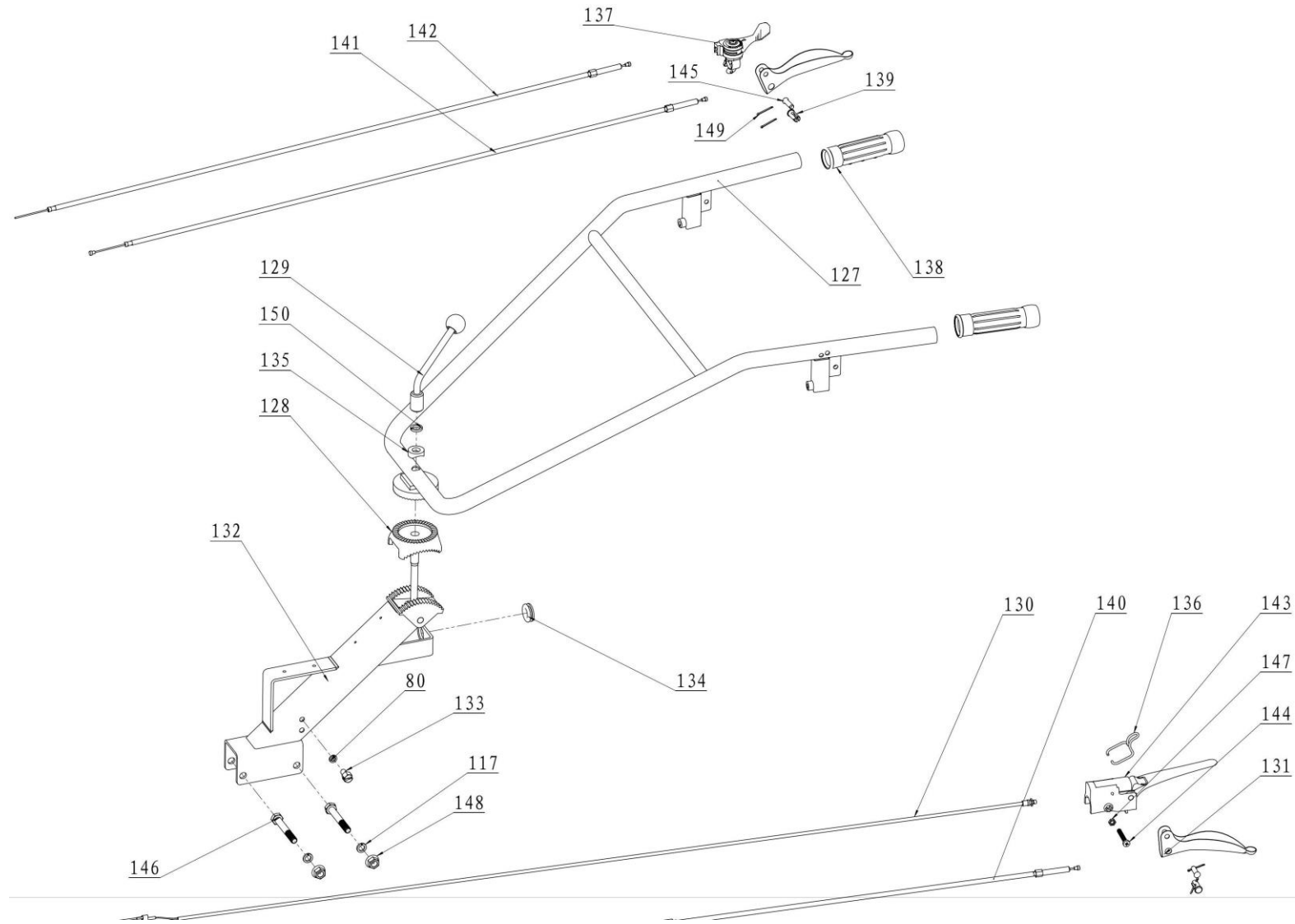
Transmission case assy T1301000

Ref. No	Parts No	Parts Name	Q'ty	Remarks	Ref. No	Parts No	Parts Name	Q'ty	Remarks
	T1301045	Clutch comp	1		45	T1301048	Gasket, transmission case and flange	1	
1	T1301001	Transmission case	1		46	T1301050	Shift lever stand	1	
2	T1301007	Reverse gear straight	1		47	T1301051	Stud M8 (45x20x20)	6	
3	T1301008	Reverse gear helical	1		48	T1301052	Damping rubber cover	2	
4	T1301006	Washer 23.8x14.2x1	2		49	T1301053	End cover	1	
5	T1301007	Axe, reverse gear	1		50	T1301054	Stud M8 (25x10x10)	3	
6	T1301008	Spring, reverse gear	1		51	T1301055	Stud M10 (36x19x11)	8	
7	T1301009	Washer 18.9x15.2x1	2		52	T1301056	Oil plug	1	
8	T1301010	Spring sheath, reverse gear	1		54	T1301058	Locking bolt M8x15	1	
9	T1301011	Reverse gear fork	1		55	T1305004	Gear indicator holder	1	
10	T1301013	Washer 39.5x30x0.9	5		56	T1305008	Stud M8 (24x8x16)	10	
11	T1301014	Main shaft	1		58	GB 3452.1-92	O-ring 11.2x1.8	2	
12	T1301015	2, 3 gear fork	1		59	GB 3452.1-92	O-ring 3.75x1.8	1	
13	T1301016	Shift gear spring	2		60	GB 886-86	Wiring ring 12	2	
14	T1301017	Shift fork shaft	1		61	GB 893.1-86	Hole cir-clip A type 20	1	
15	T1301018	1 gear fork	1		62	GB 893.1-86	Hole cir-clip A type 40	3	
16	T1301019	Plate, shift fork shaft	1		64	GB 894.1-86	Hole cir-clip A type 22	2	
17	T1301021	Gasket 34.9x22x2.2	1		65	GB 894.1-86	Hole cir-clip A type 8	1	

Transmission case assy T1301000

Ref. No	Parts No	Parts Name	Q'ty	Remarks	Ref. No	Parts No	Parts Name	Q'ty	Remarks
18	T1301022	2, 3 gear driven double gear	1		66	GB/T13871.1-2007	Oil seal FB type12x22x7	1	
19	T1301023	Countershaft	1		67	GB/T13871.1-2007	Oil seal FB type 17x40x7	2	
20	T1301024	1 gear driven gear	1		68	GB/T276-94	Ball bearing 6203	3	
21	T1301026	Clutch fork	1		69	GB/T276-94	Ball bearing 6204	1	
22	T1301027	Clutch fork shaft	1		70	GB/T276-94	Ball bearing 619/8	1	
23	T1301028	Hex head plug M12x1.5x12	1		71	GB/T290-89	Needle bearing HK142012	2	
24	T1301030	Clutch arm	1		72	GB/T290-89	Needle bearing HK303720	1	
25	T1301032	Oil plug	1		75	GB/T5789-1986	Hex head flange bolt M8x35 grade B	4	
26	T1301033	Washer 19.9x12.1x0.8	1		76	GB/T5789-1986	Hex head flange bolt M6x12 grade B	6	
27	T1301034	Torsion spring, reverse gear	1		77	GB/T5789-1986	Hex head flange bolt M8x20 grade B	1	
28	T1301036	Reverse gear arm	1		78	GB/T6170-2000	Hex nut M8	14	
29	T1301037	Gasket, transmission case bottom cover	1		79	GB/T65-2000	Slotted screw M6x8	1	
30	T1301038	Transmission case bottom cover	1		80	GB/T93-1987	Elastic washer 8	15	
31	T1301039	Shift axis	1		81	GB/T96.2-2002	Large washer 12x3 grade C	1	
32	T1301040	Shift sleeve	1		82	GB/T308-2002	Steel ball 6	2	
33	T1301041	Rubber cover, shift gear	1		83	GB/T308-2002	Steel ball 7	3	
43	T1301046	Gasket, engine side cover and flange	1		84	GB/T9163	Spherical bearing GE12E	1	
44	T1301047	Flange	1		133	T1304011	Clutch cable fixing slot	2	

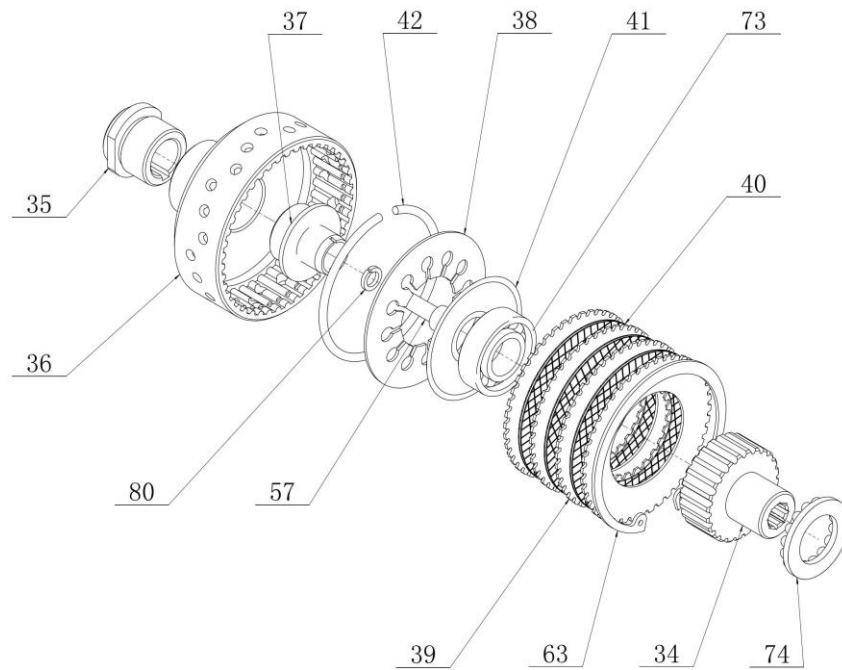
Handle control assy T1304000



Handle control assy T1304000

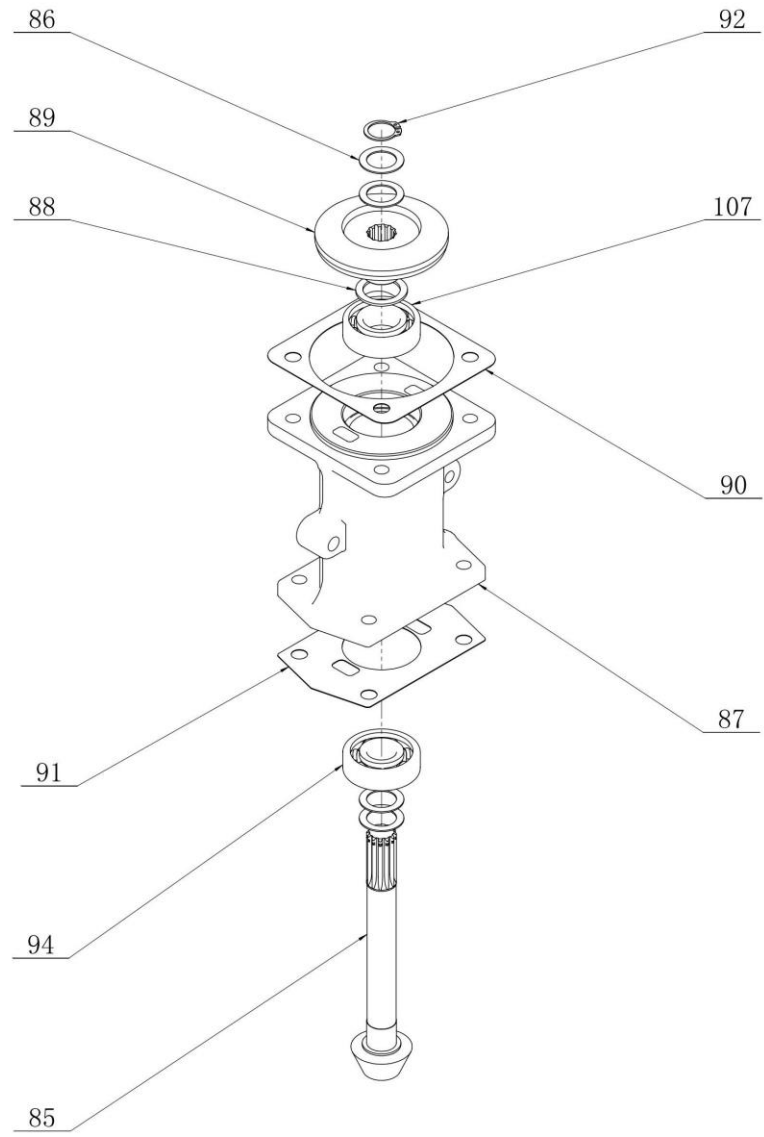
Ref. No	Parts No	Parts Name	Q'ty	Remarks	Ref. No	Parts No	Parts Name	Q'ty	Remarks
80	GB/T93-1987	Elastic washer 8	1		138	T1304028	Rubber grip	2	
117	GB/T93-1987	Spring washer 10x2.6	2		139	T1304029	Cable connect	2	
127	T1304001	Handle bar	1		140	T1304031	Clutch cable	1	
128	T1304002	Toothed plate	1		141	T1304032	Reverse gear cable	1	
129	T1304003	Locking handle	1		142	T1304033	Throttle cable	1	
130	T1304006	Flameout cable	1		143	T1304100	Emergency stop handle	1	
131	T1304009	Clutch lever	2		144	GB 823-88	Cross recessed screw M6x40	1	
132	T1304010	Handle bar seat	1		145	GB 882-88	B-type pin 7x22	2	
133	T1304011	Clutch cable holder	1		146	GB/T5782-2000	Hex head bolt M10x70 grade A & B	2	
134	T1304024	Rubber cover, shift gear	1		147	GB/T6172.1-2000	Hexagon thin nut M6 grade A	1	
135	T1304025	Arc washer	1		148	GB/T6177.1-2000	Hexagon flange nut M10 grade A	2	
136	T1304026	Flameout lock buckle	1		149	GB/T91-2000	A type Cotter 2x22	4	
137	T1304027	Throttle switch	1		150	GB/T93-1987	Spring washer 12x3.1	1	

Clutch Assy T1301045



Ref. No	Parts No	Parts Name	Q'ty	Remarks	Ref. No	Parts No	Parts Name	Q'ty	Remarks
34	T1301042	Initiative gear, clutch	1		41	T1301045.7	Platen	1	
35	T1301045.1	Input connected bushing	1		42	T1301045.8	Locating ring	1	
36	T1301045.2	Cover	1		57		Socket head cap screw	1	
37	T1301045.3	Fixed sleeve	1		63	GB893.1-86	Collar	1	
38	T1301045.4	Leaf spring	1		73	GB/T292-94	Angular contact ball bearing S7004	1	
39	T1301045.5	Steel disc	4		74	GB/T301-1995	Thrust ball bearing 51105	1	
40	T1301045.6	Friction plate	3		80	GB/T93-1987	Elastic washer 8	1	

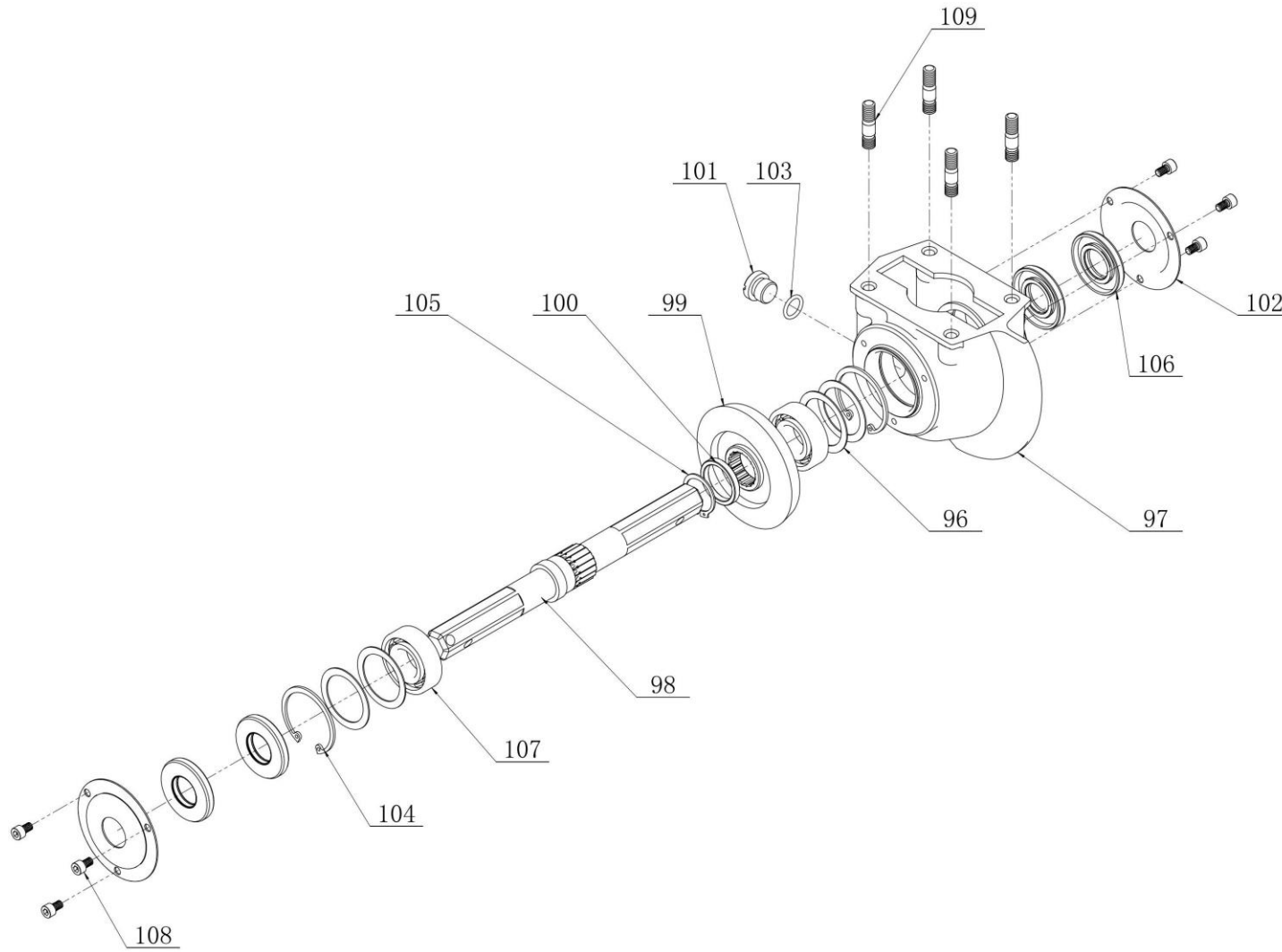
Walking case assy – upper body T1302000



Walking case assy – upper body T1302000

Ref. No	Parts No	Parts Name	Q'ty	Remarks	Ref. No	Parts No	Parts Name	Q'ty	Remarks
85	T1302001	Bevel gear axes	1		90	T1302006	Gasket, transmission case and walking case upper body	1	
86	T1302002	Washer 20.3 x 30 x 1	4		91	T1302007	Gasket, walking case upper and lower body	1	
87	T1302003	Upper body, walking case	1		92	GB 894.1-86	Cir-clip A type 20	1	
88	T1302004	Gasket 34.8x25.2x1.7	1		94	GB/T276-94	Deep groove ball bearing 6205	1	
89	T1302005	Walking bevel gear	1		107	GB/T276-94	Deep groove ball bearing 6304	1	

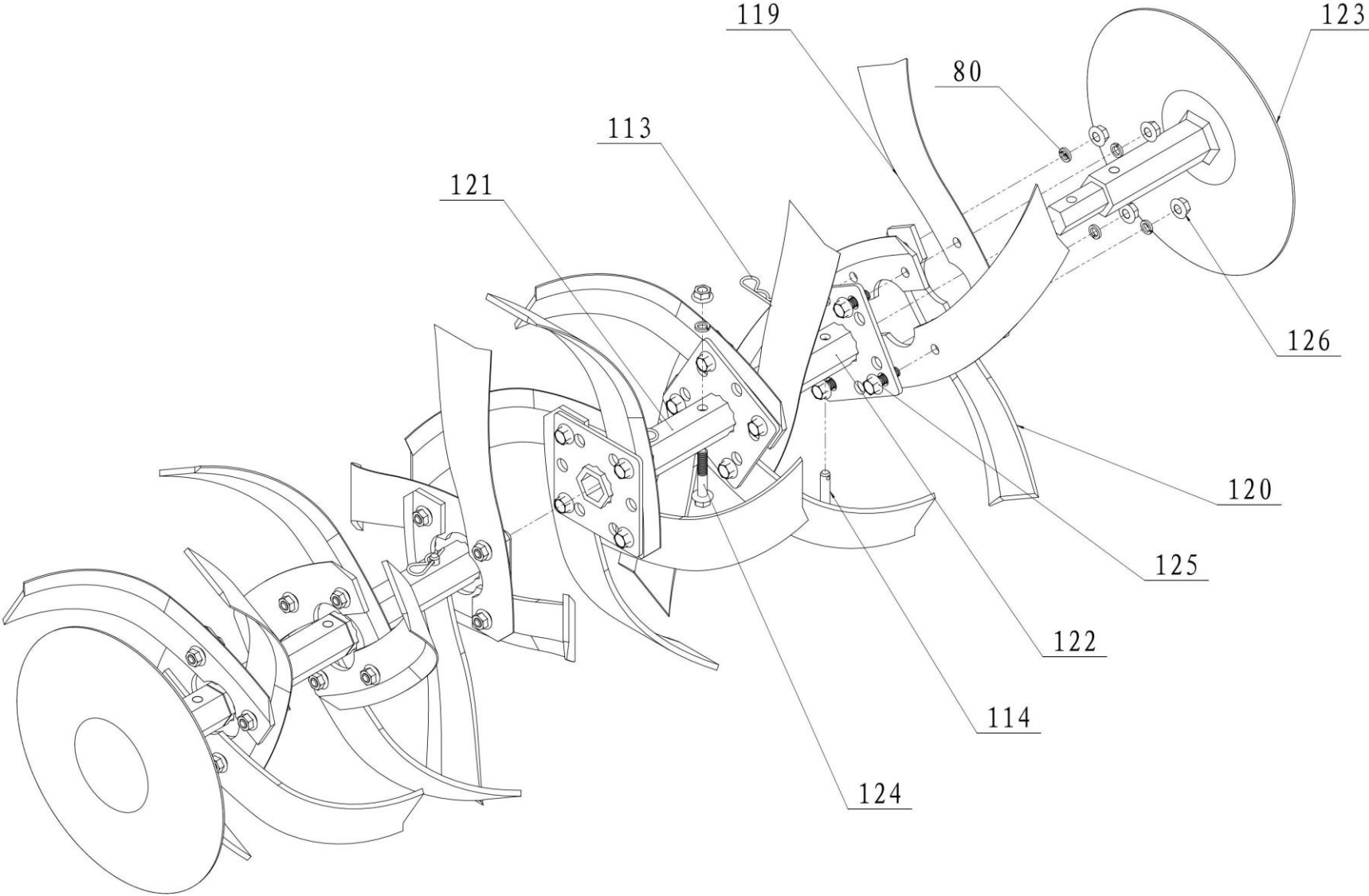
Walking case assy – lower body T1303000



Walking case assy – lower body T1303000

Ref. No	Parts No	Parts Name	Q'ty	Remarks	Ref. No	Parts No	Parts Name	Q'ty	Remarks
96	T1303003	Gasket 51.8x40x1	4		103	GB 3452.1-92	O-ring 15 x 2.65	1	
97	T1303004	Lower body, walking case	1		104	GB 893.1-86	Hole cir-clip A type 52x2	2	
98	T1303005	Output shaft	1		105	GB 894.2-86	Shaft cir-clip B type 30x1.2	1	
99	T1303007	Bevel gear, output shaft	1		106	GB/T13871.1-2007	Oil seal FB type 25x52x7	4	
100	T1303007.1	Bushing, output shaft bevel gear	1		107	GB/T276-94	Deep groove ball bearing 6205	2	
101	T1303009	Drain bolt M8x12	1		108	GB/T70.1-2000	Hex screw M6x10	6	
102	T1303011	Cover	2		109	GB/T898-1988	Stud M10x28	4	

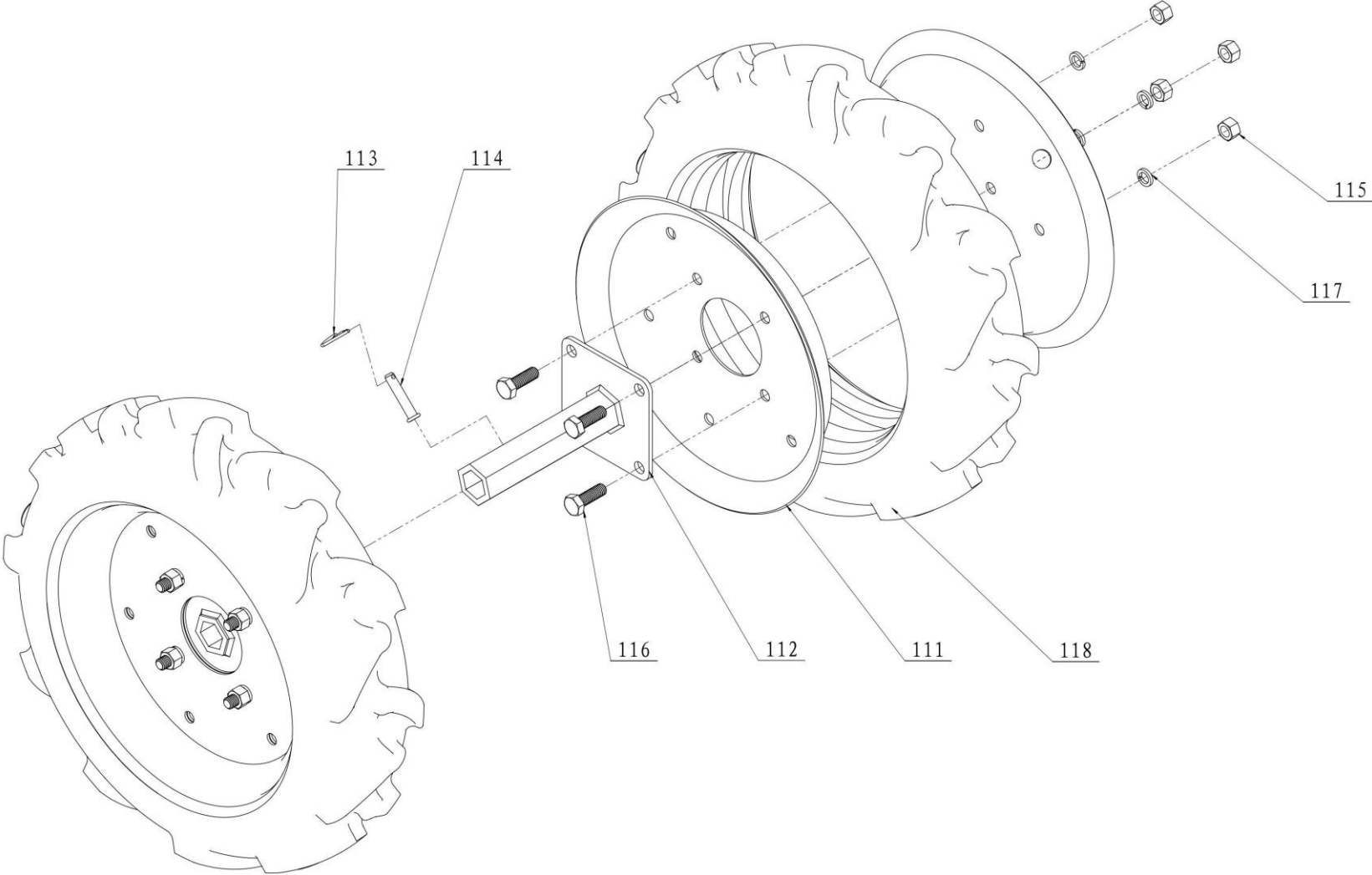
Rotary tiller assy – T1307000



Rotary tiller assy – T1307000

Ref. No	Parts No	Parts Name	Q' ty	Remarks	Ref. No	Parts No	Parts Name	Q' ty	Remarks
80	GB/T93-1987	Elastic washer 8	37		122	T1307003.2	Subsidiary blade holder	2	
113	T1306006	Clip B	4		123	T1307006	Round disc	2	
114	GB 882-88	B-type pin 8x40	4		124	GB/T5789-1986	Hex flange bolt M8x45 grade B	2	
119	T1307001	Blade - left	12		125	GB/T5789-1986	Hex flange bolt M8x25 grade B	36	
120	T1307002	Blade - right	12		126	GB/T6177.1-2000	Hexagon flange nut M8 grade A	38	
121	T1307003.1	Primary blade holder	2						

Wheel assy – T1306000



Wheel assy – T1306000

Ref. No	Parts No	Parts Name	Q'ty	Remarks	Ref. No	Parts No	Parts Name	Q'ty	Remarks
110	T1306001	Spoke - right	2		115	GB/T41-2000	Hex nut M10 grade C	8	
111	T1306002	Spoke - left	2		116	GB/T5783-2000	Full thread hex head bolt M10x30	8	
112	T1306005	Wheel axle	2		117	GB/T93-1987	Spring washer 10x2.6	8	
113	T1306006	Clip B	2		118	GB/T2979-2008	Tire AG 16.2x4.0-8 4PR	2	
114	GB 882-88	B-type pin 8x40	2						