

YD-KU01-45

Fig 2 YD-KU04-45,YD-KU01-50 ENGINE PART

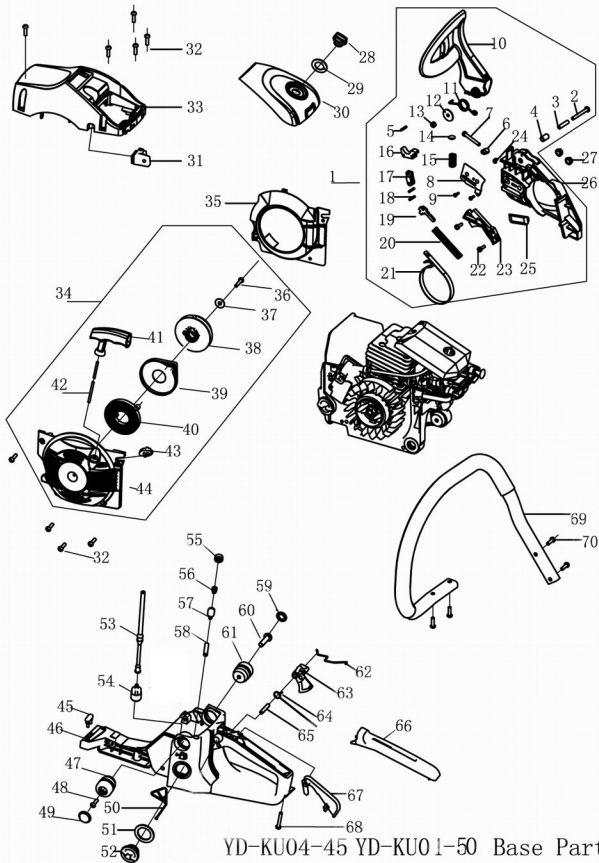
		ITEM	qty	
1	YD45 .01. 02-1	cylinder	1	
2	GB/T6186	nut M5	2	
3	GB/T93	washer5	15	
4	GB/T97.1	washer5	2	
5	YD45. 01. 09-1	muffler cover plate	1	
6	YD45. 01. 09.01-00	muffler body	1	
7	YD45. 01 .00-2	muffler sealing plate	1	
8	YD45. 01.00 -24	muffler connecting screw	2	
9	GB/T70.1	screw M5x20	6	
10	GB/T848	washer5	11	
11	YD45.01.11.04-00	spark plug	1	
12	YD45.01.02-2	air intake tube sealing plate	1	
13	YD45.01.02.01-00	air intake tube	1	
14	GB/T818	screw M5X12	4	
15	YD45.01.00-17	hold coil	1	
16	YD45.01.00-1	cylinder sealing plate	1	
17	YD45.01.03-2	piston ring	2	
18	YD45.01.03-1	piston	1	
19	YD45.01.03-4	piston pin circlip	2	
20	YD45.01.03-3	piston pin	1	
21	YD45.01.03-5	needle bearing ring	2	
22	YD45.01.03.01-00	crank shaft components	1	
23	YD45.01.03.02-00	needle bearing 11x15x12.5	1	
24	GB/T1099	semicircular key 3x3.5x10	1	
25	YD45.00.00-4	conical spring base	1	
26	YD45.00.00-3	conical spreader base	1	
27	GB/T845	tapping screw ST5X16	4	
28	YD45.00.00.01-00	chain shield	1	
29	GB/T818	screw M5X16	1	
30	YD45.01.01.02-2	aeration jet	1	
31	YD45.01.01.02-3	aeration jet circlip	1	
32	YD45.01.00-22	sponge transition block	1	
33	YD45.01.00-21	pinion rack	1	
34	GB/T818	screw M5X10	5	
35	YD45.01.00.04-2	oil filter screen	1	
36	YD45.01.00.04-1	oil filter	1	
37	YD45.01.00-12	oil tube	1	
38	GB/T818	screw M4x14	2	

Fig 2 YD-KU04-45,YD-KU01-50 ENGINE PART

		ITEM	qty	
39	YD45.01.15-00	oil pump	1	
40	YD45.01.00-23	sponge transition coil	1	
41	YD45.01.00-13	nozzle	1	
42	YD45.01.00-16	chain guide block	1	
43	GB/T900	double-screw bolt AYM8-M8X26-8.8	2	
44	YD45.01.13.01-2	shoe block	3	
45	YD45.01.13.01-1	retainer	1	
46	YD45.01.13.01-3	clutch spring	1	
47	YD45.01.00-19	clutch adjusting washer	1	
48	YD45.01.00.10-00	needle bearing 12x15x14.5	1	
49	YD45.01.13-1	clutch shell	1	
50	YD45.01.00-26	sprocket	1	
51	YD45.01.00.06-00	worm	1	
52	YD45.01.00-15	cover plate	1	
53	YD45.01.00.09-00	oil seal 15x28x4.5	1	
54	GB/T276	bearing 6202D grade 15x35x11	1	
55	YD45.01.00-8	cushion block	1	
56	YD45.01.00-7	throttle rod fixation root	1	
57	YD45.01.00.03-00	throttle rod	1	
58	YD45.01.00-11	right shock block	1	
59	YD45.01.00.07-00	shock seat	3	
60	YD45.01.00.01-00	air intake tube support	1	
61	YD45.01.00-4	tie plate	1	
62	YD45.01.00-3	sealing plate of air intake support	1	
63	YD45.01.00-14	air intake tube flange	1	
64	YD45.01.06-00	carburetor	1	
65	YD45.01.00.02-00	air intake socket	1	
66	YD45.01.08-00	air filter	1	
67	GB/T899	double-screw bolt GM5-M5X30	1	
68	YD45.01.00-5	cushion of air intake socket	1	
69	GB/T818	screw M5X50	2	
70	YD45.01.01.02-1	right case	1	
71	YD45.01.00-6	dust plate	1	
72	GB/T119.2	pin 5x10	3	
73	YD45.01.00-9	shock block2	1	
74	YD45.01.11-2	ground strip	1	
75	YD45.01.11.03-00	flameout switch	1	
76	YD45.01.11-1	flameout switch socket	1	

Fig 2 YD-KU04-45 ,YD-KU01-50 ENGINE PART

		ITEM	qty	
77	YD45.01.00-10	left shock block	1	
78	GB/T70.1	screw M5X25	5	
79	YD45.01.00-20	oil shield	1	
80	GB/T97.1	washer4	2	
81	GB/T93	washer4	2	
82	GB/T818	screw M4X10	6	
83	YD45.01.10.01-00	flywheel	1	
84	GB/T93	washer8	1	
85	GB/T6171	nut M8x1	1	
86	YD45.01.00.05-3	sealing washer20x30x2	1	Assy
87	YD45.01.00.05-2	anti-drop plate	1	
88	YD45.01.00.05-1	oil cover	1	
89	YD45.01.01.01-3	suction tube circlip	2	
90	YD45.01.01.01-2	suction tube 2.5X7X10.5	1	
91	YD45.01.01.03-00	suction jet	1	
92	YD45.01.01.01-1	left case	1	
93	GB/T893.1	shield ring35	1	
94	YD45.01.00.08-00	oil seal 15x35x4.5	1	
95	YD45.01.11.01-00	igniter	1	
96	YD45.01.11.02-00	extinction conductor	1	
97	YD45. 00. 00-2	dust cover	3	
98	YD45.01.01-1	case body sealing plate	1	
99	YD45.01.00-18	damper	1	



YD-KU04-45 YD-KU01-50 Base Part

Fig 1 YD-KU04-45 ,YD-KU01-50 BASE PART

		ITEM	qty	
1	YD45-4.04.00-00	right cover assembly	1	
2	YD45-3.04.00-14	screw M5X36	1	
3	YD45-3.04.00-12	shield pipe	1	
4	YD45-3.04.00-11	pipe	1	
5	GB/T119.2	pin 3 x 14	1	
6	YD45-3.04.00-16	tension block	1	
7	YD45-3.04.00-15	tightener screw	1	
8	YD45.04.00-11	tensioner cover plate	1	
9	GB/T845	tapping screw ST4.2 X 9.5	2	
10	YD45-4.04.00-2	front damper	1	
11	YD45-3.04.00-8	brake torsion rod spring	1	
12	YD45-3.04.00-13	washer 5.2x20x1.2	1	
13	GB/T6185.1	nut M5	1	
14	YD45-3.04.00-6	spring base	1	
15	YD45-3.04.00-5	front damper spring	1	
16	YD45-3.04.00-4	main level	1	
17	YD45-3.04.00-3	secondary pull-rod	1	
18	GB/T119.2	pin 3x9	2	
19	YD45-3.04.00-14	brake control rod	1	
20	YD45-3.04.00-9	brake spring	1	
21	YD45-3.04.00-9	brake strap	1	
22	GB/T845	tapping screw ST4.2X12	2	
23	YD45-4.04.00-1	brake spring cover plate	1	
24	YD45-3.04.00-17	tension block	1	
25	YD45.01.00-16	chain guide block	1	
26	YD45-3.04.01-00	right cover	1	
27	GB/T6177.1	nut M8	2	
28	YD45-3.05.01-00	air filter lock nut	1	
29	YD45.05.00-2	lock nut washer 15x26x1	1	
30	YD45-4.05.00-1	air filter cover	1	
31	YD45.00.00-6	idle adjusting guide set	1	
32	GB/T818	screw M5X16	11	
33	YD45-4.00.00-1	upper cover plate	1	
34	YD45-4.02.00-00	starter assembly	1	
35	YD45.04.00-1	guide flow cover	1	
36	GB/T818	screw M5X10	1	
37	GB/T96	washer5	1	
38	YD45.02.00-2	starter palte	1	

39	YD45.02.00-3	coil spring gland	1	
40	YD45.02.00-5	start coil spring	1	
41	YD45.04.00-4	start handle	1	
42	YD45.02.00-7	start stretching wire	1	
43	YD45.04.00-8	LH sheathing	1	
44	YD45-4.02.01-00	starter cover	1	
45	YD45. 03. 00-1	shock rubber	1	
46	YD45-3.03.01-00	base	1	
47	YD45. 03. 02-00	shock rubber gland	1	
48	YD50.00.00- 9	screw	1	
49	YD45.00-00-2	dust cover	1	
50	YD38-3.03.02-2	anti-drop plate	1	Assy
51	YD38-3.03.02-3	packing washer 24X34X1.5	1	
52	YD38-3.03.02-1	petrol cover	1	
53	YD45.03.00-2	fuel tube	1	
54	YD45.03.03-00	petrol filter componets	1	
55	YD45.03.00-7	balancer cover	1	Assy
56	YD45.03.00-6	balancer rubber	1	
57	YD45.03.00-5	balancer body	1	
58	YD45.03.00-4	balancer oil tube	1	
59	YD45.00-00-2	dust cover	1	
60	YD50.00.00- 9	screw	1	
61	YD45. 03. 02-00	fuel tube	1	
62	YD45.03.00-25	petrol filter components	1	
63	YD45.03.00-11	trigger	1	
64	YD45.03.00-12	trigger torsion rod spring	1	
65	GB/T119.2	pin6X22	1	
66	YD45-3.03.00-14	handle cover	1	
67	YD45.03.00-13	trigger control rack	1	
68	GB/T845	tapping screw ST4.2X25	1	
69	YD45.06.00-01	front handle assembly	1	
70	GB/T845	tapping ST5X16	4	