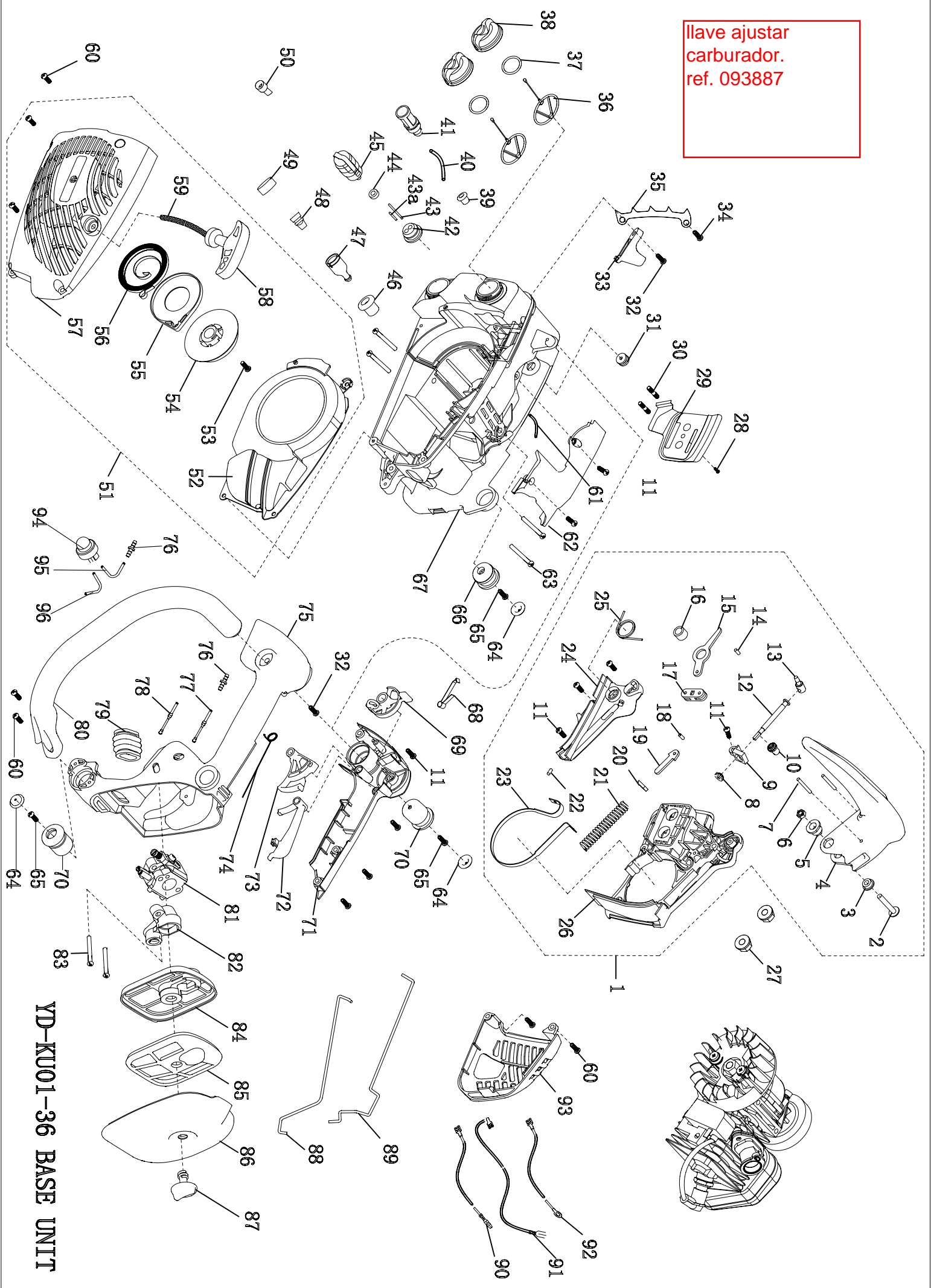


llave ajustar
carburador.
ref. 093887

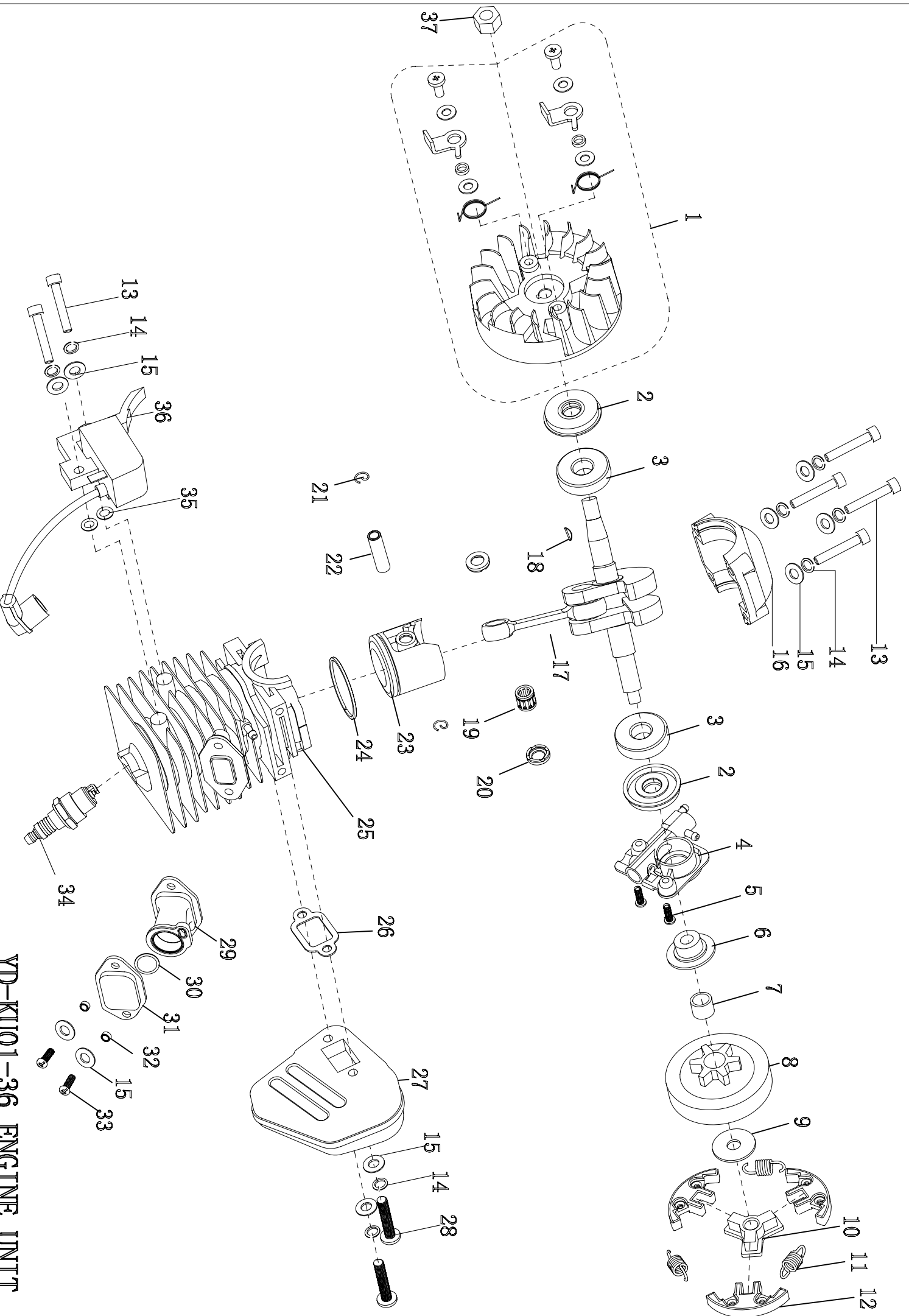


YD-KU01-36 BASE UNIT

BASE UNIT OF YD-KU01-36			
No.	Code	Description(EN)	QTY
1	YD36.04.00-00	clutch cover assembly	1
2	YD36.04.00-13	screw M5x32	1
3	YD36.04.00-11	screw bush	1
4	YD36.04.00-2	front-hand guard	1
5	YD36.04.00-12	nut bush	1
6	GB/T6185.1	lock-nut M5	1
7	GB/T119.2	pin 3x26	2
8	YD36.04.00-17	passively conical gear	1
9	YD36.04.00-18	conical gear base	1
10	YD36.04.00-16	active conical gear	1
11	GB/T845	tapping screw ST4.2x12	6
12	YD36.04.00-15	tightened screw	1
13	YD36.04.00-14	tension block	1
14	GB/T119.2	pin 3x14.7	1
15	YD36.04.00-8	brake sway rod	1
16	YD36.04.00-10	sway rod bush	1
17	YD36.04.00-7	main level	1
18	GB/T119.2	pin 3x7.8	1
19	YD36.04.00-6	brake control rod	1
20	YD36.04.00-5	spring base	1
21	YD36.04.00-4	brake spring	1
22	GB/T119.2	pin 3x9.7	1
23	YD36.04.00-3	brake strap	1
24	YD36.04.00-1	brake spring cover plate	1
25	YD36.04.00-9	returned torsion rod spring	1
26	YD36.04.01-00	clutch cover	1
27	GB/T6177.1	nut M8	2
28	GB/T845	tapping screw ST4.2x10	1
29	YD36.00.00-17	cover plate	1
30	YD36.03.00-13	double-head screw	2
31	YD36.03.00-5	stop top	1
32	GB/T845	tapping screw ST4.8x19	2
33	YD36.00.00-15	chain catcher	1
34	GB/T845	tapping screw ST4.8x13	1
35	YD36.00.00-16	bumper spikes	1
36	YD36.03.02-2	fuel cover retainer	2

37	YD36.03.02-3	"o" ring	2
38	YD36.03.02-1	fuel cover	2
39	YD36.03.00-7	oil tube root	1
40	YD36.03.00-6	oil tube 2.5x6x160	1
41	YD36.03.04-00	oil filter components	1
42	YD36.03.00-4	fuel tube root	1
43	YD36.03.00-1	fuel tube 2.5x5x262	1
43a	YD36.03.00-15	return fuel tube B	1
44	YD36.03.00-3	tube circlip	2
45	YD36.03.03-00	petrol filter components	1
46	YD36.03.00-11	balancer root	1
47	YD36.03.00-8	balabcer body	1
48	YD36.03.00-9	balancer rubber	1
49	YD36.03.00-10	balancer cover	1
50	YD36.03.00-12	aeration jet	1
51	YD36.02.00-00	starter assembly	1
52	YD36.02.00-1	bossing	1
53	GB/T9074.19	tapping screw ST4.8x13	1
54	YD36.02.01-1	start plate	1
55	YD36.02.01-2	coil-spring gland	1
56	YD36.02.01-4	start coil-spring	1
57	YD36.02.02-00	starter cover	1
58	YD36.02.01-3	start handle	1
59	YD36.02.01-5	stretching wire 2.5x870	1
60	GB/T845	tapping screw ST4.2x16	12
61	YD36.03.00-14	oil tube 2.5x6x90	1
62	YD36.00.00-2	conductor cover plate	1
63	YD36.00.00-20	screw M5x20	4
64	YD36.00.00-14	dust cover	3
65	YD36.00.00-12	handle screw	3
66	YD36.03.05-00	cushion socker ϕ 22.5x20	1
67	YD36.03.01-00	base components	1
68	YD36.01.11.00-1	ground scrip	1
69	YD36.00.00-9	choke trigger	1
70	YD36.00.02-00	cushion socker ϕ 22.5x30	2
71	YD36.00.00-5	rear handle cover	1
72	YD36.00.00-7	trigger control rack	1
73	YD36.00.00-6	trigger	1

74	YD36.00.00-8	trigger torsion rod spring	1
75	YD36.00.01-00	rear handle	1
76	YD36.03.00-2	oil ingoing tube connector	2
77	YD36.00.00-18	fuel outgoing tube	1
78	YD36.00.00-19	suction tube	1
79	YD36.00.00-4	air lead tube	1
80	YD36.00.00-1	front handle	1
81	YD36.01.06.00-00	carburetor	1
82	YD36.01.00-2	air intake socket	1
83	GB/T9074.4	screw M5x50	2
84	YD36.01.08.02-00	air filter nether cover	1
85	YD36.01.08.01-00	air filter upper cover	1
86	YD36.05.00-1	air filter cover	1
87	YD36.05.00-2	air filter cover screw	1
88	YD36.00.00-10	trigger rod	1
89	YD36.00.00-11	choke rod	1
90	YD36.01.11.02-00	extinction conductor 0.5x140	1
91	YD36.01.11.03-00	extinction conductor 0.5x235	1
92	YD36.01.11.04-00	ground wire 0.5x200	1
93	YD36.00.00-3	muffler cover	1
94	YD38-3	primer bulb	1
95	YD36.00.00-20	return fuel tube A	1
96	YD36.00.00-21	primer tube	1



YD-KU01-36 ENGINE UNIT

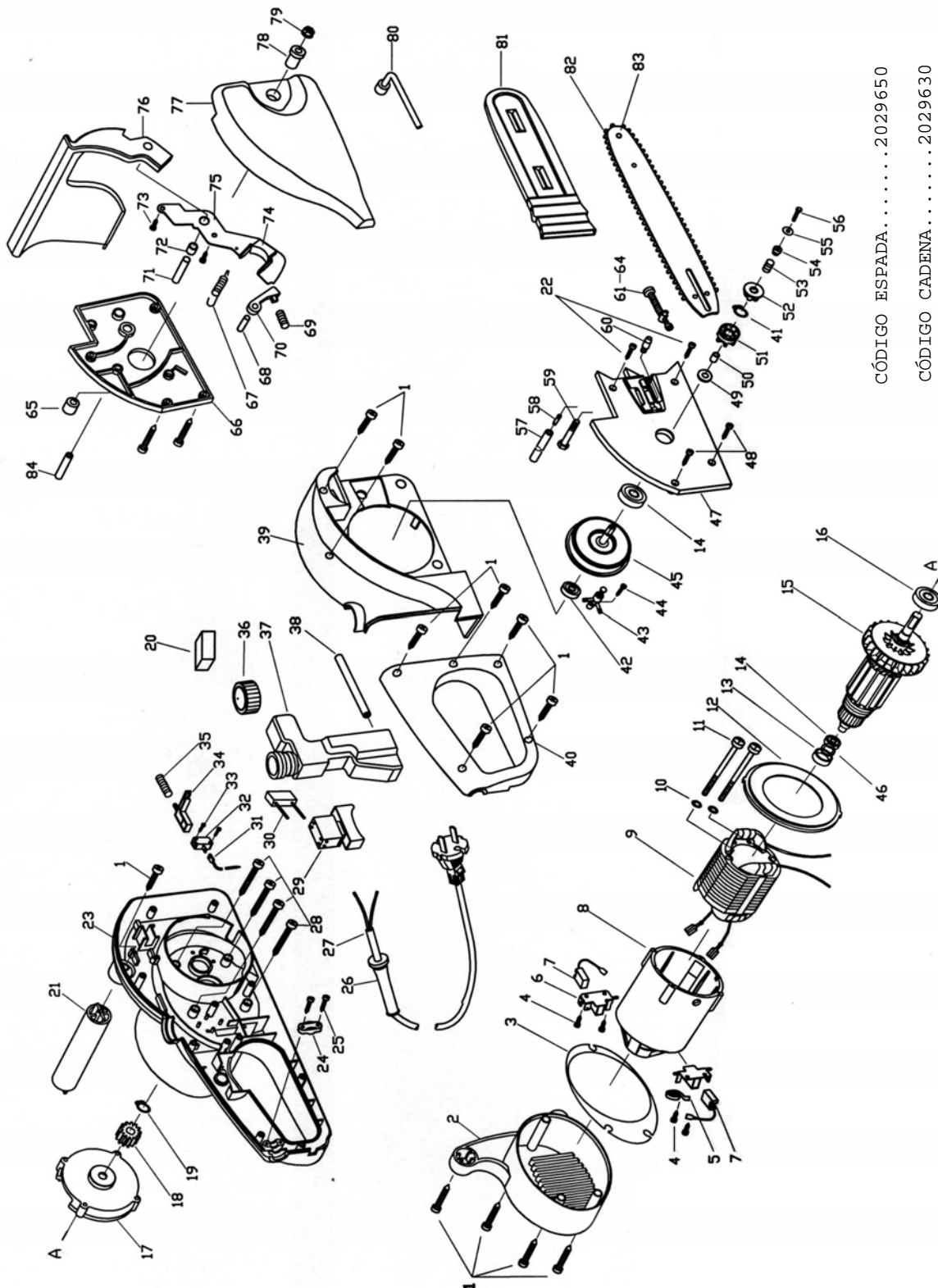
ENGINE UNIT OF YD-KU01-36

No.	Code	Description(EN)	QTY
1	YD36.01.10.00-00	flywheel assembly	1
2	YD36.01.03.02-00	oil seal 12x32x5.5	2
3	GB/T276	bearing 6201 grade D 12x32x10	2
4	YD36.01.15.00-00	oil pump	1
5	GB/T9074.4	adjust screw M4x12	2
6	YD36.01.03.00-5	worm	1
7	YD36.01.00.01-00	needle bearing 10x13x13	1
8	YD36.01.13.00-1	clutch shell	1
9	YD36.01.13.00-2	clutch adjusting washer	1
10	YD36.01.13.01-1	retainer	1
11	YD36.01.13.01-3	clutch extension spring	3
12	YD36.01.13.01-2	shoe block	3
13	GB/T70.1	screw M5x25	4
14	GB/T93	spring washer 5	8
15	GB/T97.1	washer 5	10
16	YD36.01.01.00-1	cylinder cover	1
17	YD36.01.03.01-00	crank shaft components	1
18	GB/T1099	semicircular key 3x3.5x10	1
19	YD36.01.03.04-00	needle bearing 8x11x12	1
20	YD36.01.03.00-3	needle bearing ring	2
21	YD36.01.03.00-4	piston pin circlip	2
22	YD36.01.03.00-2	piston pin	1
23	YD36.01.03.03-00	piston	1
24	YD36.01.03.00-1	piston ring	1
25	YD36.01.01.01-00	cylinder body components	1
26	YD36.01.00-4	silencer sealing plate	1
27	YD36.01.09.00-00	silencer assembly	1
28	GB70.1	screw M5x40	2
29	YD36.01.00.02-00	air intake tube	1
30	YD36.01.00-3	retainer	1
31	YD36.01.00-9	heat insulation	1
32	YD36.01.00-10	lining	2
33	GB/T818	screw M5x16	2
34	YD36.01.11.05-00	spark plug LD L8RTF	1
35	YD36.01.00-7	igniter washer	2
36	YD36.01.11.01-00	igniter	1

37	GB/T6177.2	nut M8x1	1
----	------------	----------	---

EXPLODED VIEW

CHAIN SAW SANDRIGARDEN ES 1700



CÓDIGO ESPADA.....2029650

CÓDIGO CADENA.....2029630

	COD. SANDRI	COD. BRITECH	DESCRIZIONE
2	2032500	B90448-00	coperchio motore
3	2032510	B90449-00	guarnizione
5	2032520	B90451-00	molla per spazzole
6	2032530	B90452-00	porta spazzola
7	2032540	B90453-00	spazzola pz.2
8	2032550	B90454-00	carter motore
9	2032560	B90455-00	statore
12	2032570	B90458-00	deflettore
13	2032580	B90459-00	sede cuscinetto
14	2032590	B90460-00	cuscinetto øe 26-øi 10-L 8
15	2032600	B90461-00	rotore
16	2032610	B90462-00	cuscinetto øe 28-øi 12-L 8
17	2032620	B90463-00	coperchio interno
19	2032640	B90465-00	seeger
20	2032650	B00467-00	filtro olio
21	2033690	B90466-00	impugnatura anteriore
23 Y	2033700	B90467-00	guscio esterno sinistro giallo
23 R	2033710	B90467-01	guscio esterno sinistro rosso
23 B	2033720	B90467-02	guscio esterno sinistro blu
24	2033730	B90469-00	stringicavo
26	2033740	B90471-00	passacavo
27	2033750	B90472-00	cavo con spina
29	2032660	B90474-00	interruttore
30	2033770	B90475-00	condensatore
32	2033780	B90477-00	interruttore di sicurezza
34	2033760	B90479-00	leva interruttore
36	2033790	B90481-00	tappo
37	2033800	B90482-00	serbatoio olio
38	2033810	B90483-00	tubo olio
39 Y	2033820	B90484-00	guscio esterno destro giallo
39 R	2033830	B90484-01	guscio esterno destro rosso
39 B	2033840	B90484-02	guscio esterno destro blu
40 Y	2033850	B90485-00	guscio esterno posteriore giallo
40 R	2033860	B90485-01	guscio esterno posteriore rosso
40 B	2033870	B90485-02	guscio esterno posteriore giallo
42	2033880	B90487-00	cuscinetto øe 22-L 6
43	2033890	B90488-00	pompa dell'olio
45	2033900	B90490-00	ruota dentata in nylon
47	2033910	B90492-00	piastra metallica
50	2033920	B90495-00	cuscinetto
51	2033930	B90496-00	pignone catena
52	2033940	B90497-00	frizione
53	2033950	B90498-00	molla
54	2033960	B90499-00	porta molla
55	2033970	B90500-00	rosetta
57	2033980	B90502-00	tubo olio
58	2033990	B90503-00	adattatore
59	2034000	B90504-00	vite
60	2034010	B90505-00	perno
61	2034020	B90506-00	dado di blocco
62	2034030	B90507-00	dado speciale
65	2034040	B90510-00	perno
66	2034050	B90511-00	piastra
67	2034060	B90512-00	molla
68	2034070	B90513-00	distanziale 5
69	2034080	B90515-00	molla
70	2034090	B90514-00	fermo
71	2034100	B90516-00	distanziale 8
74	2034110	B90519-00	gommino freno
75	2034120	B90520-00	leva freno
76	2034130	B90521-00	protezione impugnatura
77	2034140	B90522-00	coperchio laterale destro
79	2034150	B90524-00	dado
80	2034160	B90525-00	chiave
84	2034170	B90527-00	perno di protezione

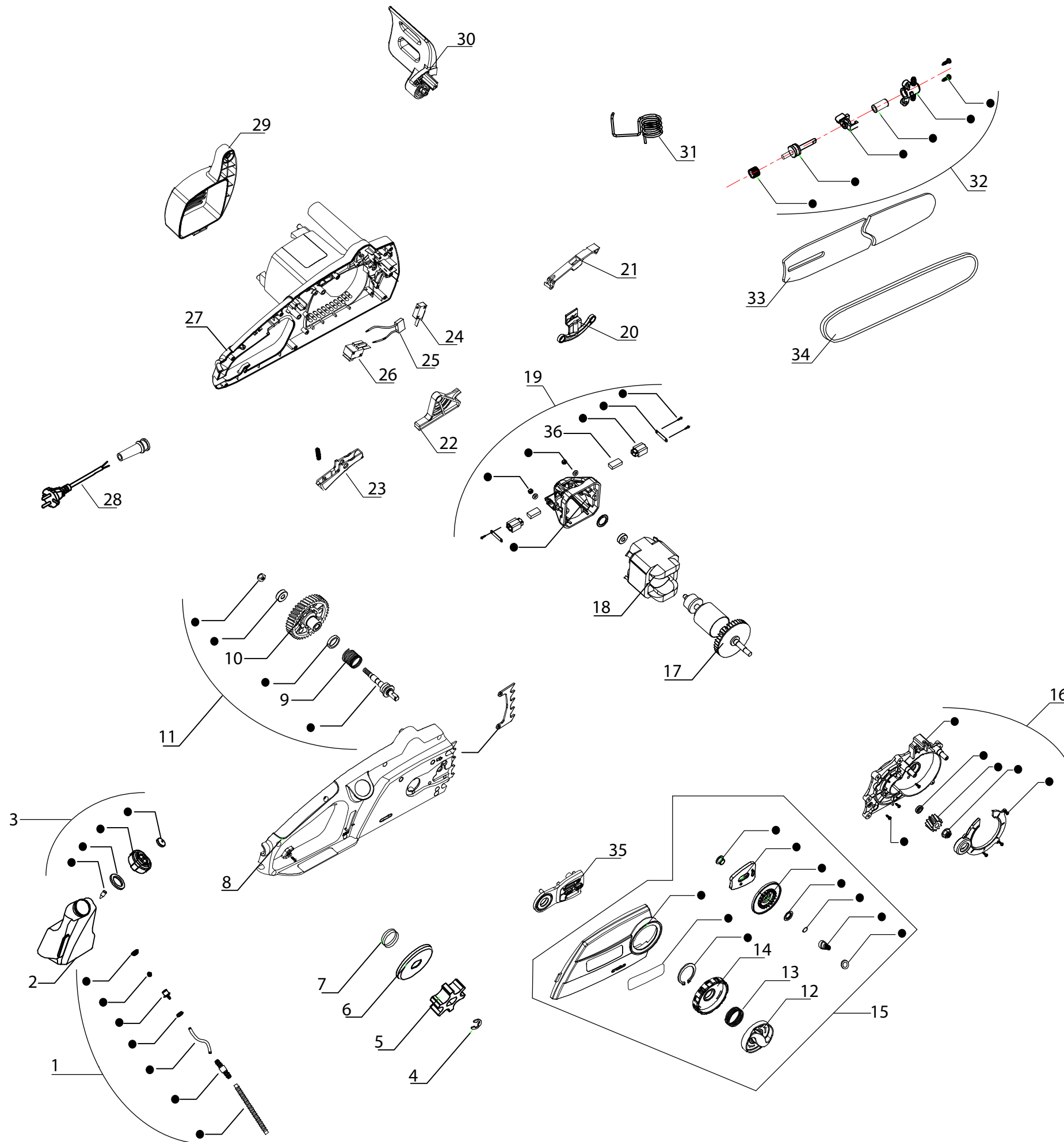


ILLUSTRATED PARTS LIST

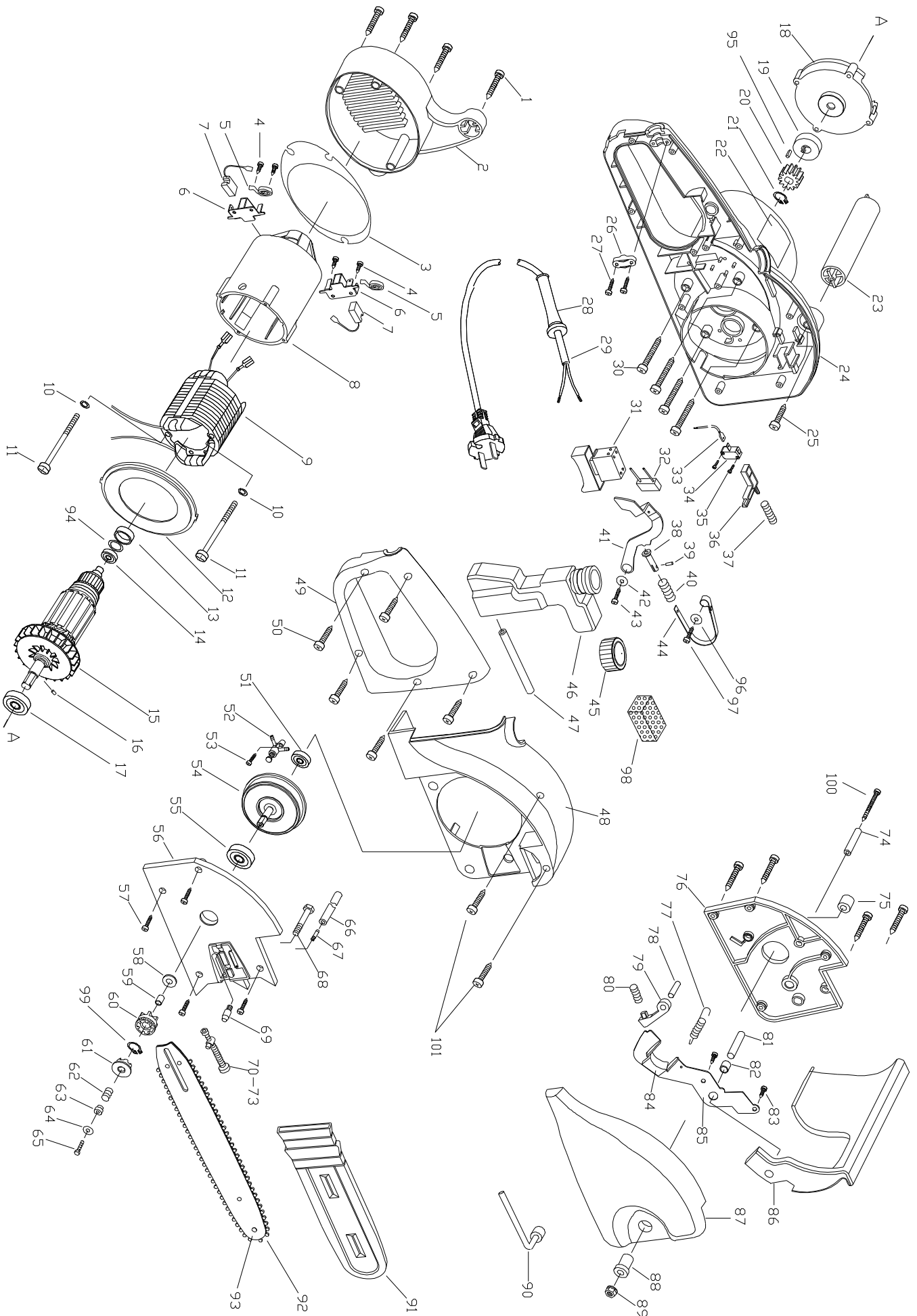
SG 2000/40 TC

SG 2000/40 TC
serie 01

POS.	CODICE	Q.TA	POS.	CODICE	Q.TA
1	B91344-00	1	32	B91375-00	1
2	B91345-00	1	33	B91376-00	1
3	B91346-00	1	34	B91377-00	1
4	B91347-00	1			
			35	B91378-00	1
5	B91348-00	1	36	B91379-00	1
6	B91349-00	1			
7	B91350-00	1			
8	B91351-00	1			
9	B91352-00	1			
10	B91353-00	1			
11	B91354-00	1			
12	B91355-00	1			
13	B91356-00	1			
14	B91357-00	1			
15	B91358-00	1			
16	B91359-00	1			
17	B91360-00	1			
18	B91361-00	1			
19	B91362-00	1			
20	B91363-00	1			
21	B91364-00	1			
22	B91365-00	1			
23	B91366-00	1			
24	B91367-00	1			
25	B91398-00	1			
26	B91369-00	1			
27	B91370-00	1			
28	B91371-00	1			
29	B91372-00	1			
30	B91373-00	1			
31	B91374-00	1			



SG 2000/40 TC



Part List SANDRIGARDEN ES 1700 - PWR 1700 CSB

No	Part Name	Q.ty	No	Part Name	Q.ty
1	Screw	4	52	Oil pump	1
2	Back cover	1	53	Screw	1
3	Fan baffle	1	54	Gear	1
4	Screw	4	55	Bearing	1
5	Brush spring	2	56	Fixed board	1
6	Brush hold	2	57	Screw	4
7	Brush	2	58	Washer	1
8	Inside crust	1	59	Axle bearing	1
9	Stator	1	60	Chain gear	1
10	Spring washer	2	61	Clutch	1
11	Screw	2	62	Spring	1
12	Fan baffle	1	63	Spring seat	1
13	Bearing seat	1	64	Washer	1
14	Bearing	1	65	Screw	1
15	Armature	1	66	Oil duct	1
16	Pin	1	67	Adaptor	1
17	Bearing	1	68	Bolt	1
18	Front cap	1	69	Positioning pin	1
19	Brake wheel	1	70	Lock nut	1
20	Pinion	1	71	Special nut	1
21	Check ring	1	72	Spring	1
22	Name plate	1	73	Screw	1
23	Front handle	1	74	Chain catcher	1
24	Outside crust	1	75	Pin Seat	1
25	Screw	1	76	Fixed board cap	1
26	Cable splint	1	77	Spring	1
27	Screw	2	78	Cylinder 5	1
28	Cable jacket	1	79	Stop Bar	1
29	Cable plug	1	80	Spring	1
30	Screw	3	81	Cylinder 8	1
31	Switch	1	82	Ring	1
32	Capacitor	1	83	Screw	2
33	Wire	1	84	Brake	1
34	Small switch	1	85	Brake rack	1
35	Screw	2	86	Baffle	1
36	Slide switch	1	87	Side cover	1
37	Spring	1	88	Seat	1
38	Bolt	1	89	Nut	1
39	Spring pin	1	90	Wrench	1
40	Spring	1	91	Chain wrap	1
41	Fork	1	92	Chain Saw	1
42	washer	1	93	Chain board	1
43	Screw	1	94	Spring washer	1
44	brake strap	1	95	Key	1
45	Bottle cover	1	96	Washer	1
46	Oil bottle	1	97	Screw	1
47	Oil duct	1	98	filter sponge	1
48	Middle cover	1	99	Check ring	1
49	Handle	1	100	chain catcher screw	1
50	Screw	5	101	screw	2
51	Bearing	1	102	screw	4