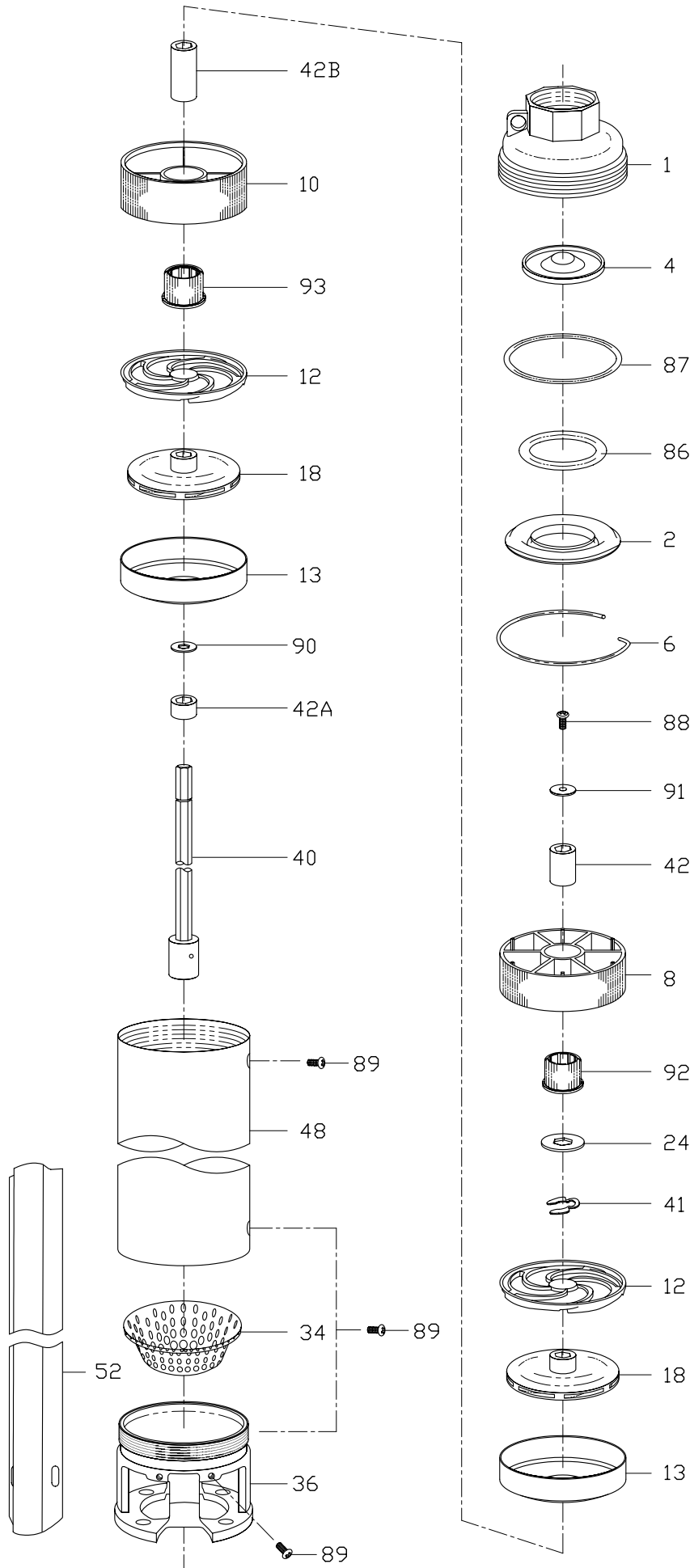


| Current Models |                 |
|----------------|-----------------|
| Type           | Number Of Stage |
| ST-05          | 9~20            |
| ST-10          | 5~20            |
| ST-13          | 5~21            |
| ST-18          | 5~19            |
| ST-25          | 4~16            |

| Description |                        |
|-------------|------------------------|
| 1           | Discharge              |
| 2           | Valve Casing           |
| 4           | Valve Cone             |
| 6           | Valve Retaining Ring   |
| 8           | Upper Bearing Spider   |
| 12          | Diffuser               |
| 13          | Bowl                   |
| 18          | Impeller               |
| 24          | Stop Ring              |
| 34          | Strainer               |
| 36          | Suction Interconnector |
| 40          | Pump Shaft / Coupling  |
| 41          | Shaft Retaining Ring   |
| 42          | Shaft Sleeve           |
| 42A         | Shaft Sleeve           |
| 48          | Casing                 |
| 52          | Cable Guard            |
| 86          | O-ring                 |
| 87          | O-ring                 |
| 88          | Screw                  |
| 89          | Screw                  |
| 90          | Washer                 |
| 91          | Washer                 |
| 92          | Bearing                |

# Drawing for parts list

ST 05-10-13-18-25



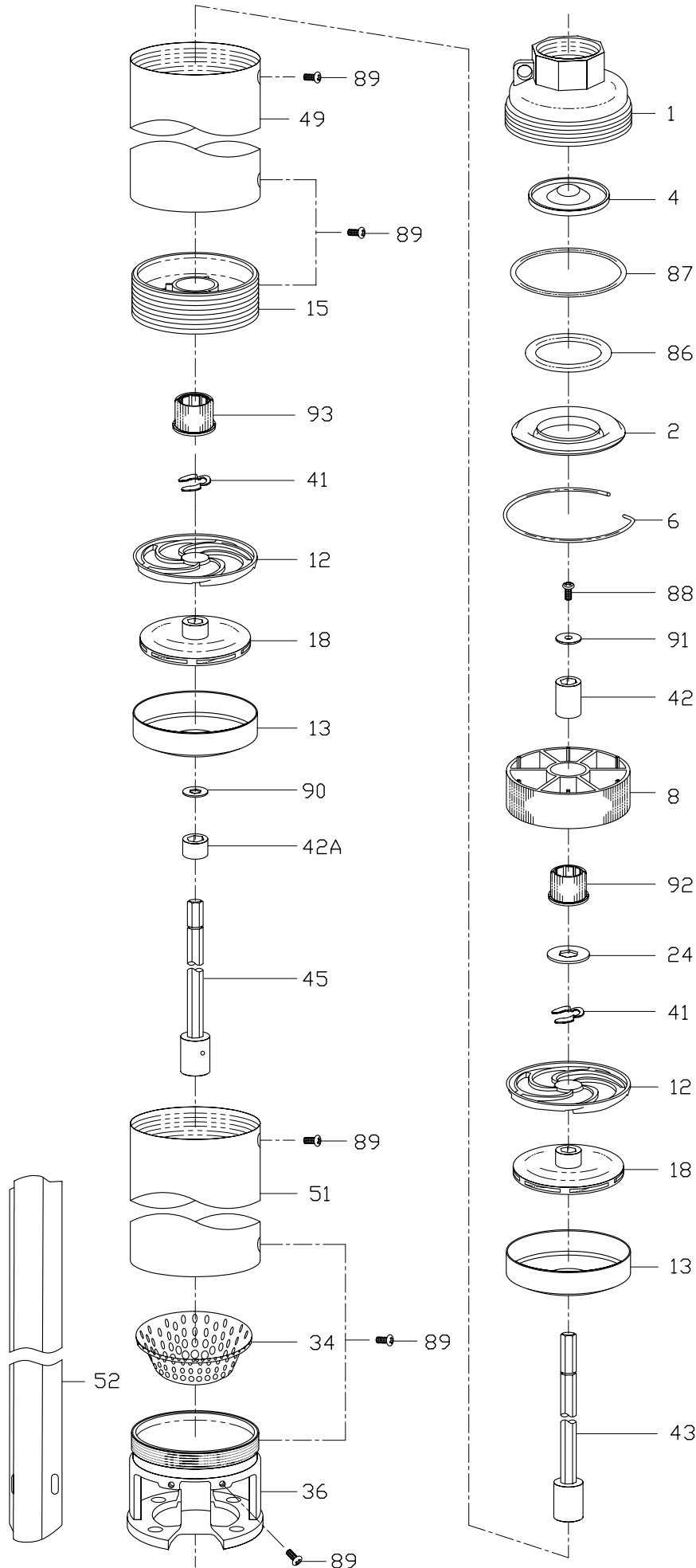
| Current Models |                 |
|----------------|-----------------|
| Type           | Number Of Stage |
| ST-05          | 26              |
| ST-10          | 27              |
| ST-13          | 28              |
| ST-18          | 25, 27          |
| ST-25          | 20, 24, 26      |

| Description |                        |
|-------------|------------------------|
| 1           | Discharge              |
| 2           | Valve Casing           |
| 4           | Valve Cone             |
| 6           | Valve Retaining Ring   |
| 8           | Upper Bearing Spider   |
| 10          | Bearing Spider         |
| 12          | Diffuser               |
| 13          | Bowl                   |
| 18          | Impeller               |
| 24          | Stop Ring              |
| 34          | Strainer               |
| 36          | Suction Interconnector |
| 40          | Pump Shaft / Coupling  |
| 41          | Shaft Retaining Ring   |
| 42          | Shaft Sleeve           |
| 42A         | Shaft Sleeve           |
| 42B         | Shaft Sleeve           |
| 48          | Casing                 |
| 52          | Cable Guard            |
| 86          | O-ring                 |
| 87          | O-ring                 |
| 88          | Screw                  |
| 89          | Screw                  |
| 90          | Washer                 |
| 91          | Washer                 |
| 92          | Bearing                |
| 93          | Bearing                |

|     |            |
|-----|------------|
| 2   | 29/08/2007 |
| No. | Date       |

# Drawing for parts list

ST 05-10-13-18-25



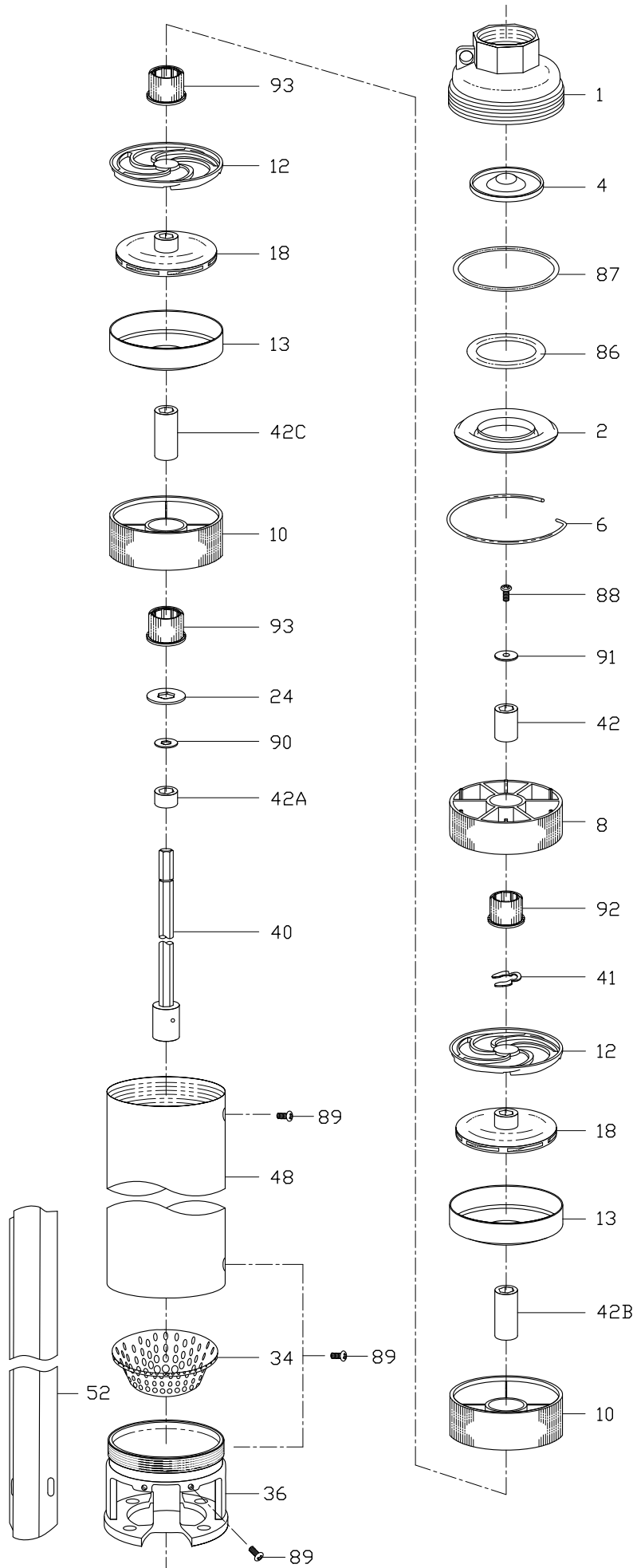
| Current Models |                 |
|----------------|-----------------|
| Type           | Number Of Stage |
| ST-05          | 33, 38          |
| ST-10          | 34, 42          |
| ST-13          | 32, 35          |
| ST-18          | 30, 35, 44, 48  |
| ST-25          | 32, 40, 44      |

| Description |                             |
|-------------|-----------------------------|
| 1           | Discharge                   |
| 2           | Valve Casing                |
| 4           | Valve Cone                  |
| 6           | Valve Retaining Ring        |
| 8           | Upper Bearing Spider        |
| 12          | Diffuser                    |
| 13          | Bowl                        |
| 15          | Intermediate Bearing Spider |
| 18          | Impeller                    |
| 24          | Stop Ring                   |
| 34          | Strainer                    |
| 36          | Suction Interconnector      |
| 41          | Shaft Retaining Ring        |
| 42          | Shaft Sleeve                |
| 42A         | Shaft Sleeve                |
| 43          | Upper Pump Shaft / Coupling |
| 45          | Lower Pump Shaft / Coupling |
| 49          | Upper Casing                |
| 51          | Lower Casing                |
| 52          | Cable Guard                 |
| 86          | O-ring                      |
| 87          | O-ring                      |
| 88          | Screw                       |
| 89          | Screw                       |
| 90          | Washer                      |
| 91          | Washer                      |
| 92          | Bearing                     |
| 93          | Bearing                     |

|     |            |
|-----|------------|
| 3   | 29/08/2007 |
| No. | Date       |

# Drawing for parts list

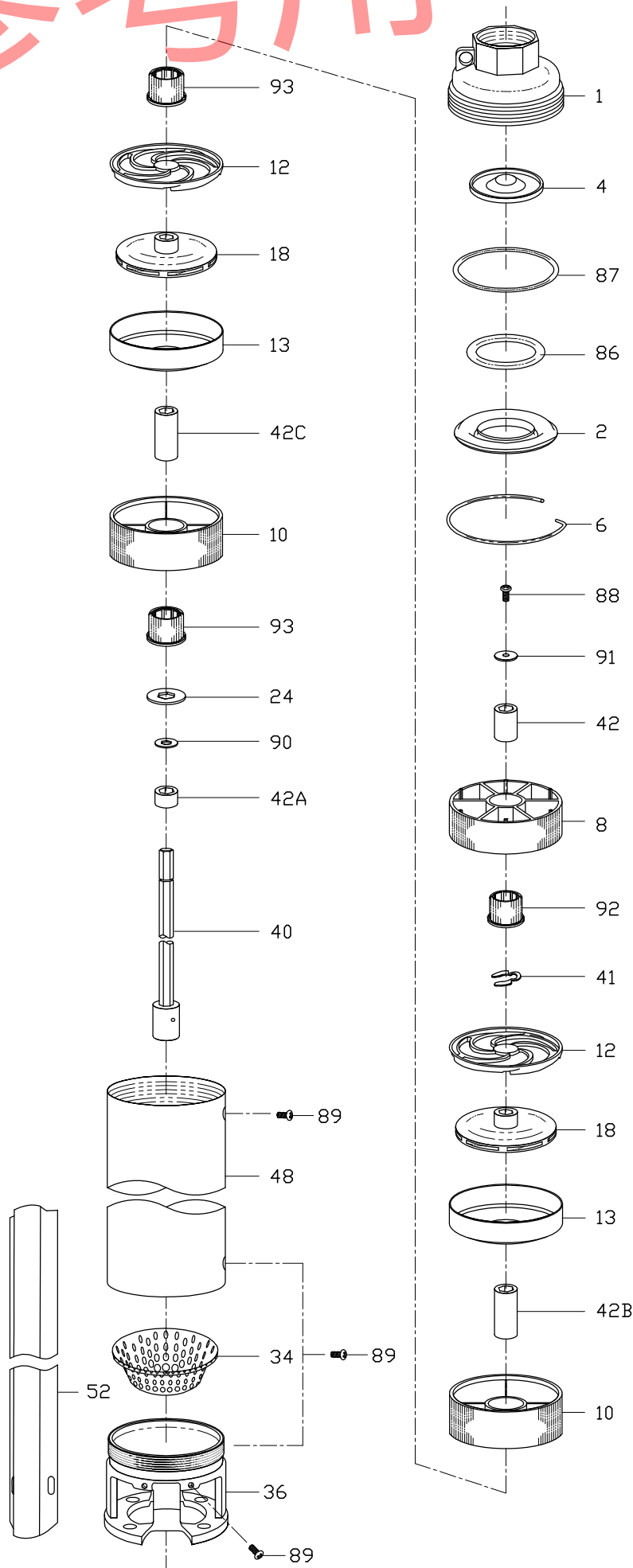
ST 18-25



| Current Models |                 |
|----------------|-----------------|
| Type           | Number Of Stage |
| ST-18          | 25, 27          |
| ST-25          | 24, 25, 26      |

| Description |                        |
|-------------|------------------------|
| 1           | Discharge              |
| 2           | Valve Casing           |
| 4           | Valve Cone             |
| 6           | Valve Retaining Ring   |
| 8           | Upper Bearing Spider   |
| 10          | Bearing Spider         |
| 12          | Diffuser               |
| 13          | Bowl                   |
| 18          | Impeller               |
| 24          | Stop Ring              |
| 34          | Strainer               |
| 36          | Suction Interconnector |
| 40          | Pump Shaft / Coupling  |
| 41          | Shaft Retaining Ring   |
| 42          | Shaft Sleeve           |
| 42A         | Shaft Sleeve           |
| 42B         | Shaft Sleeve           |
| 42C         | Shaft Sleeve           |
| 48          | Casing                 |
| 52          | Cable Guard            |
| 86          | O-ring                 |
| 87          | O-ring                 |
| 88          | Screw                  |
| 89          | Screw                  |
| 90          | Washer                 |
| 91          | Washer                 |
| 92          | Bearing                |
| 93          | Bearing                |

|     |            |
|-----|------------|
| 1   | 26/04/2013 |
| No. | Date       |

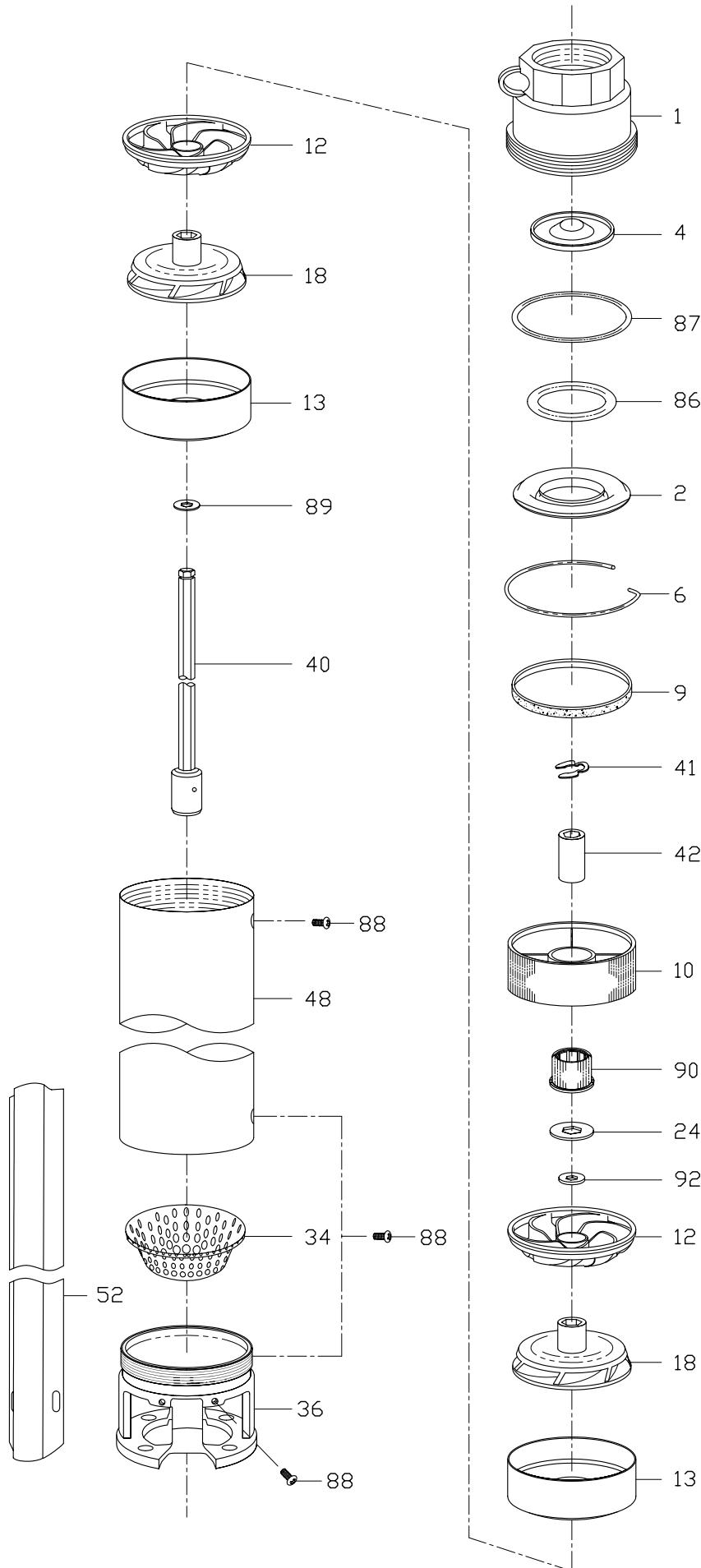


### Current Models

| Type  | Number Of Stage |
|-------|-----------------|
| ST-18 | 25, 27          |
| ST-25 | 24, 25, 26      |

### Description

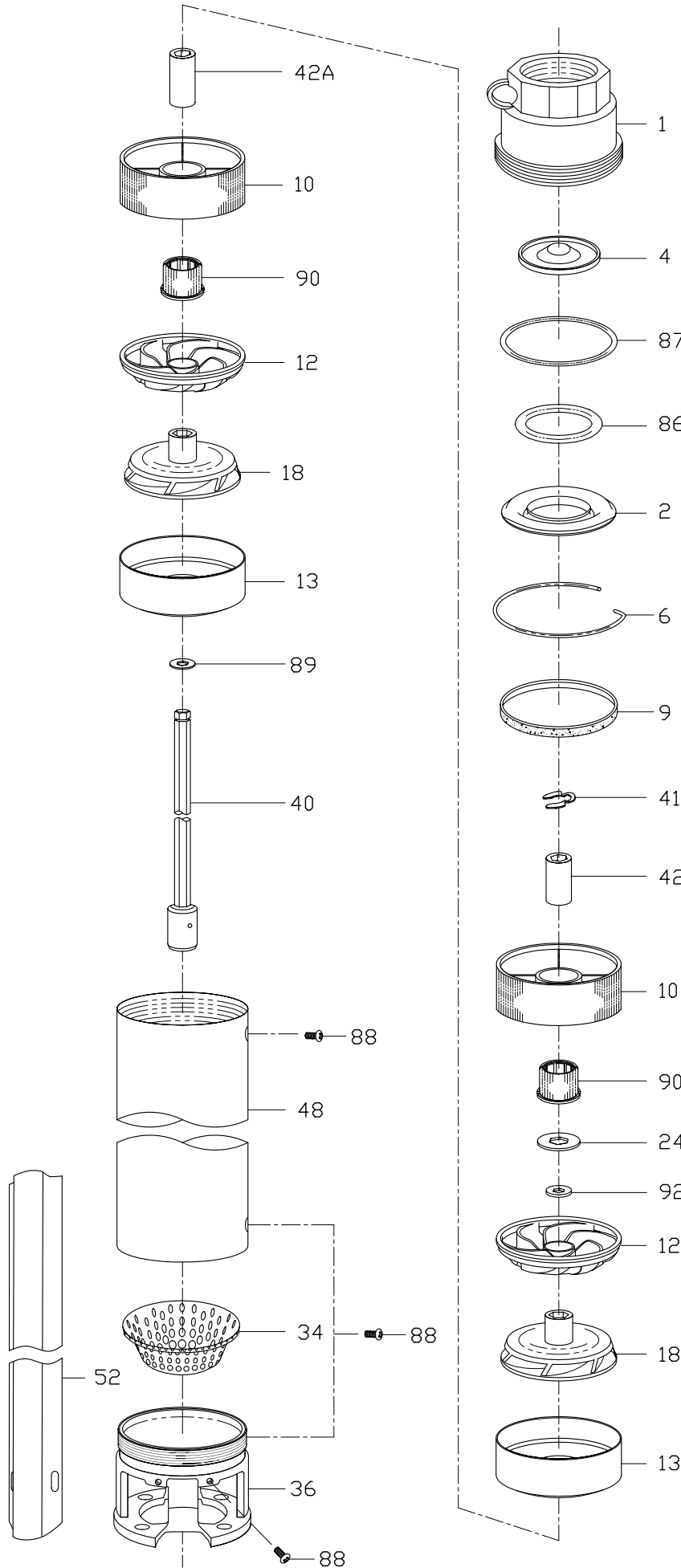
|     |                        |
|-----|------------------------|
| 1   | Discharge              |
| 2   | Valve Casing           |
| 4   | Valve Cone             |
| 6   | Valve Retaining Ring   |
| 8   | Upper Bearing Spider   |
| 10  | Bearing Spider         |
| 12  | Diffuser               |
| 13  | Bowl                   |
| 18  | Impeller               |
| 24  | Stop Ring              |
| 34  | Strainer               |
| 36  | Suction Interconnector |
| 40  | Pump Shaft / Coupling  |
| 41  | Shaft Retaining Ring   |
| 42  | Shaft Sleeve           |
| 42A | Shaft Sleeve           |
| 42B | Shaft Sleeve           |
| 42C | Shaft Sleeve           |
| 48  | Casing                 |
| 52  | Cable Guard            |
| 86  | O-ring                 |
| 87  | O-ring                 |
| 88  | Screw                  |
| 89  | Screw                  |
| 90  | Washer                 |
| 91  | Washer                 |
| 92  | Bearing                |
| 93  | Bearing                |



| Description |                        |
|-------------|------------------------|
| 1           | Discharge              |
| 2           | Valve Casing           |
| 4           | Valve Cone             |
| 6           | Valve Retaining Ring   |
| 9           | Adapter Ring           |
| 10          | Bearing Spider         |
| 12          | Diffuser               |
| 13          | Bowl                   |
| 18          | Impeller               |
| 24          | Stop Ring              |
| 34          | Strainer               |
| 36          | Suction Interconnector |
| 40          | Pump Shaft / Coupling  |
| 41          | Shaft Retaining Ring   |
| 42          | Shaft Sleeve           |
| 48          | Casing                 |
| 52          | Cable Guard            |
| 86          | O-ring                 |
| 87          | O-ring                 |
| 88          | Screw                  |
| 89          | Washer                 |
| 90          | Bearing                |
| 92          | Washer                 |

# Drawing for parts list

# ST-35 ST-40



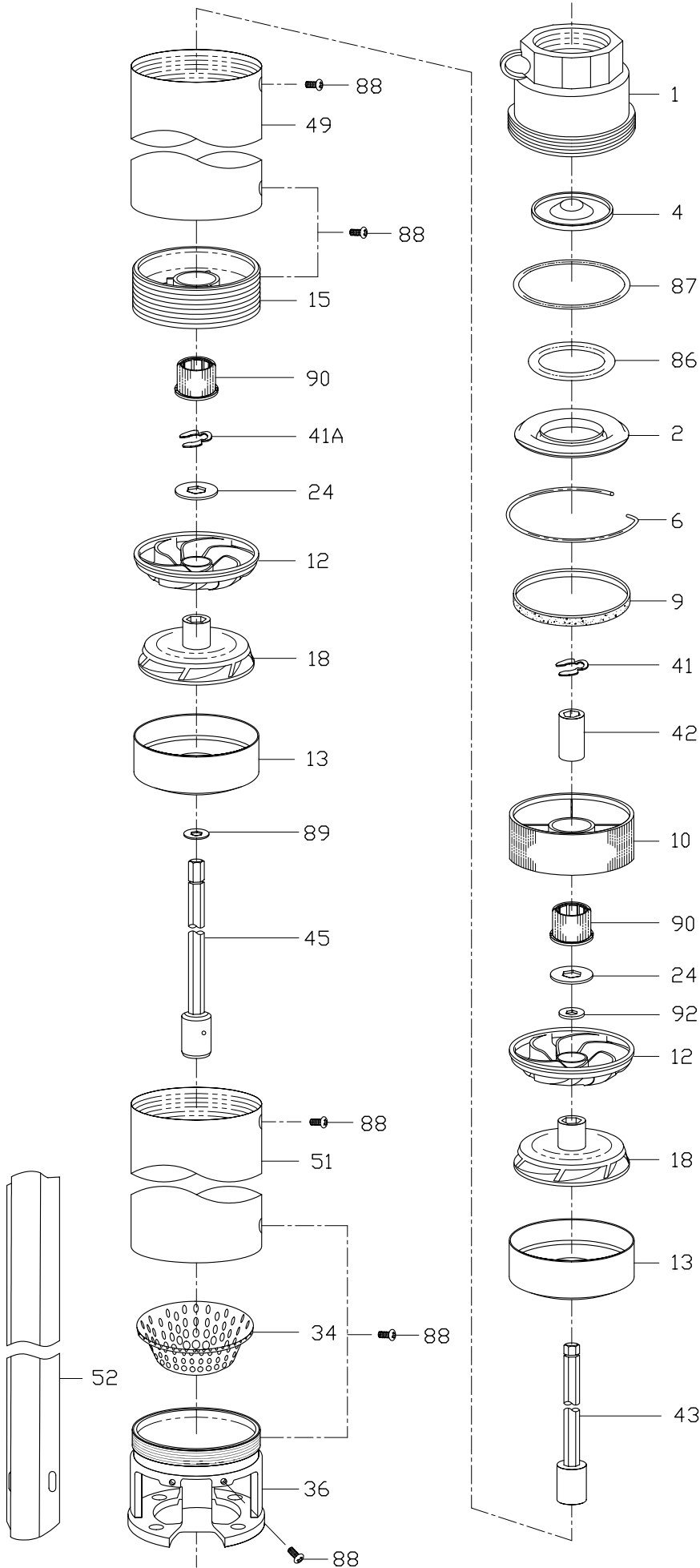
| Current Models |                 |
|----------------|-----------------|
| Type           | Number Of Stage |
| ST-35          | 20, 22, 24, 27  |
| ST-40          | 21, 23          |

| Description |                        |
|-------------|------------------------|
| 1           | Discharge              |
| 2           | Valve Casing           |
| 4           | Valve Cone             |
| 6           | Valve Retaining Ring   |
| 9           | Adapter Ring           |
| 10          | Bearing Spider         |
| 12          | Diffuser               |
| 13          | Bowl                   |
| 18          | Impeller               |
| 24          | Stop Ring              |
| 34          | Strainer               |
| 36          | Suction Interconnector |
| 40          | Pump Shaft / Coupling  |
| 41          | Shaft Retaining Ring   |
| 42          | Shaft Sleeve           |
| 42A         | Shaft Sleeve           |
| 48          | Casing                 |
| 52          | Cable Guard            |
| 86          | O-ring                 |
| 87          | O-ring                 |
| 88          | Screw                  |
| 89          | Washer                 |
| 90          | Bearing                |
| 92          | Washer                 |

|     |            |
|-----|------------|
| 2   | 29/08/2007 |
| No. | Date       |

# Drawing for parts list

# ST-35 ST-40

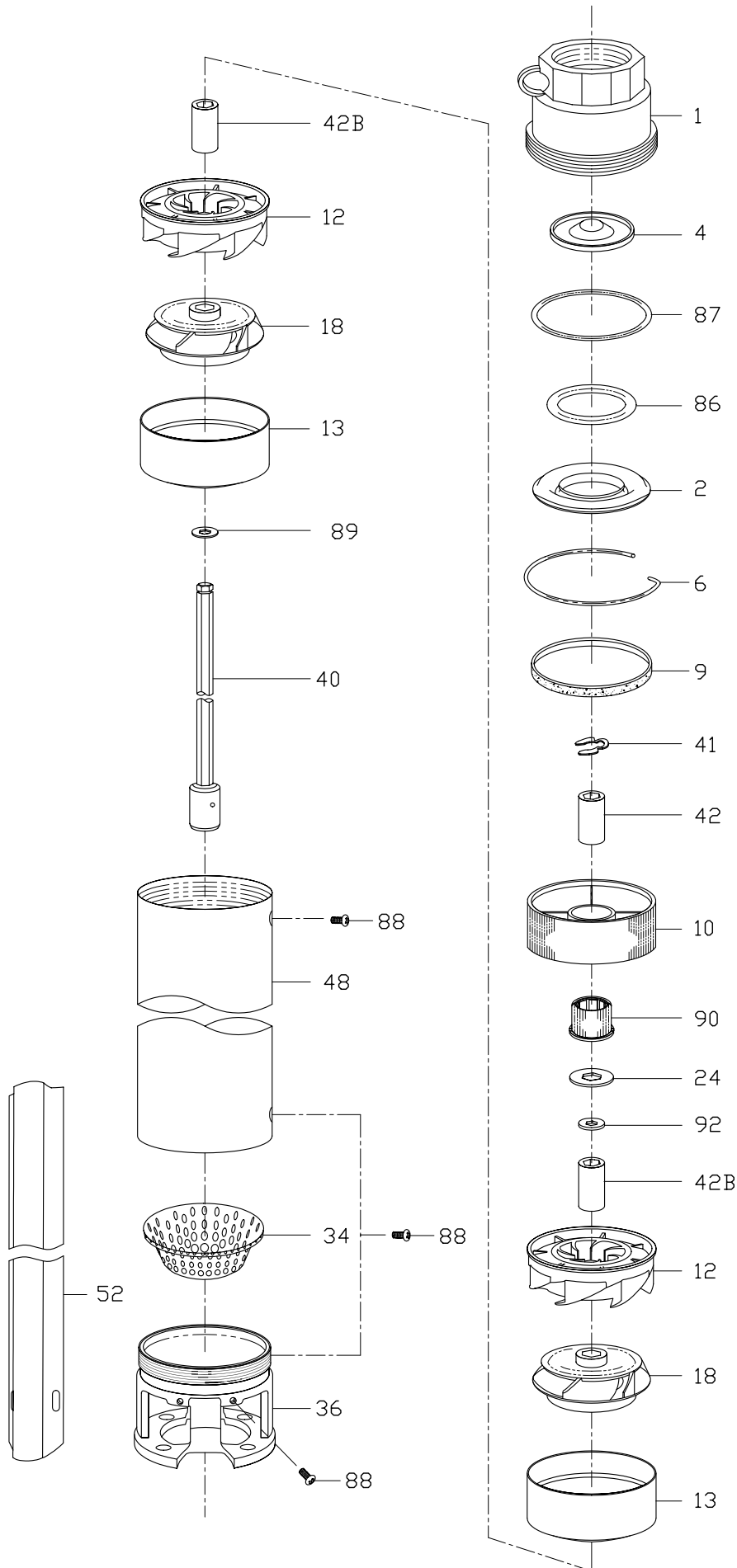


| Current Models |                 |
|----------------|-----------------|
| Type           | Number Of Stage |
| ST-35          | 34, 36, 43, 49  |
| ST-40          | 32              |

| Description |                             |
|-------------|-----------------------------|
| 1           | Discharge                   |
| 2           | Valve Casing                |
| 4           | Valve Cone                  |
| 6           | Valve Retaining Ring        |
| 9           | Adapter Ring                |
| 10          | Bearing Spider              |
| 12          | Diffuser                    |
| 13          | Bowl                        |
| 15          | Intermediate Bearing Spider |
| 18          | Impeller                    |
| 24          | Stop Ring                   |
| 34          | Strainer                    |
| 36          | Suction Interconnector      |
| 41          | Shaft Retaining Ring        |
| 41A         | Lower Shaft Retaining Ring  |
| 42          | Shaft Sleeve                |
| 43          | Upper Pump Shaft / Coupling |
| 45          | Lower Pump Shaft / Coupling |
| 49          | Upper Casing                |
| 51          | Lower Casing                |
| 52          | Cable Guard                 |
| 86          | O-ring                      |
| 87          | O-ring                      |
| 88          | Screw                       |
| 89          | Washer                      |
| 90          | Bearing                     |
| 92          | Washer                      |

|     |            |
|-----|------------|
| 2   | 29/08/2007 |
| No. | Date       |

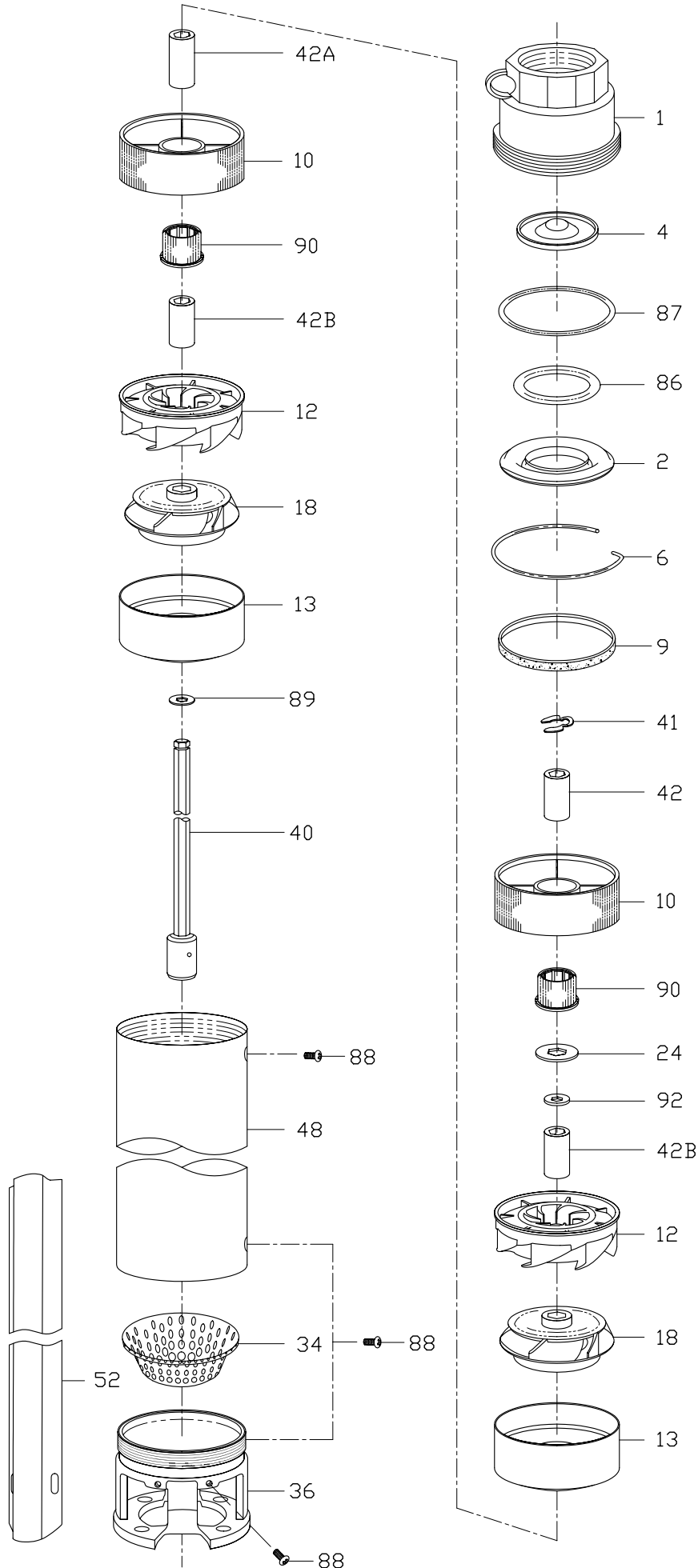




| Description |                        |
|-------------|------------------------|
| 1           | Discharge              |
| 2           | Valve Casing           |
| 4           | Valve Cone             |
| 6           | Valve Retaining Ring   |
| 9           | Adapter Ring           |
| 10          | Bearing Spider         |
| 12          | Diffuser               |
| 13          | Bowl                   |
| 18          | Impeller               |
| 24          | Stop Ring              |
| 34          | Strainer               |
| 36          | Suction Interconnector |
| 40          | Pump Shaft / Coupling  |
| 41          | Shaft Retaining Ring   |
| 42          | Shaft Sleeve           |
| 42B         | Shaft Sleeve           |
| 48          | Casing                 |
| 52          | Cable Guard            |
| 86          | O-ring                 |
| 87          | O-ring                 |
| 88          | Screw                  |
| 89          | Washer                 |
| 90          | Bearing                |
| 92          | Washer                 |

# Drawing for parts list

# ST-55 ST-60



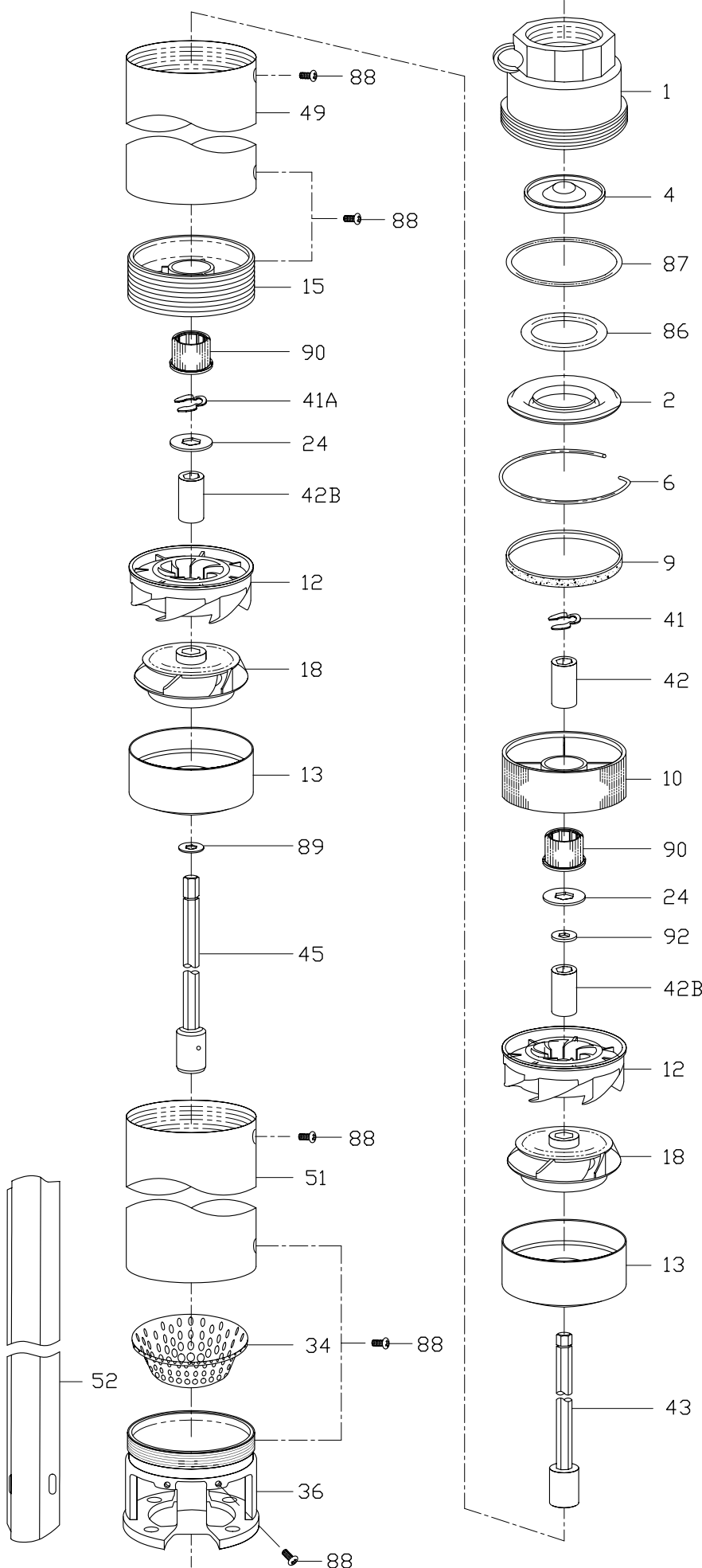
| Current Models |                 |
|----------------|-----------------|
| Type           | Number Of Stage |
| ST-55          | 18              |
| ST-60          | 17, 19          |

| Description |                        |
|-------------|------------------------|
| 1           | Discharge              |
| 2           | Valve Casing           |
| 4           | Valve Cone             |
| 6           | Valve Retaining Ring   |
| 9           | Adapter Ring           |
| 10          | Bearing Spider         |
| 12          | Diffuser               |
| 13          | Bowl                   |
| 18          | Impeller               |
| 24          | Stop Ring              |
| 34          | Strainer               |
| 36          | Suction Interconnector |
| 40          | Pump Shaft / Coupling  |
| 41          | Shaft Retaining Ring   |
| 42          | Shaft Sleeve           |
| 42A         | Shaft Sleeve           |
| 42B         | Shaft Sleeve           |
| 48          | Casing                 |
| 52          | Cable Guard            |
| 86          | O-ring                 |
| 87          | O-ring                 |
| 88          | Screw                  |
| 89          | Washer                 |
| 90          | Bearing                |
| 92          | Washer                 |

|     |            |
|-----|------------|
| 2   | 29/08/2007 |
| No. | Date       |

# Drawing for parts list

# ST-55 ST-60



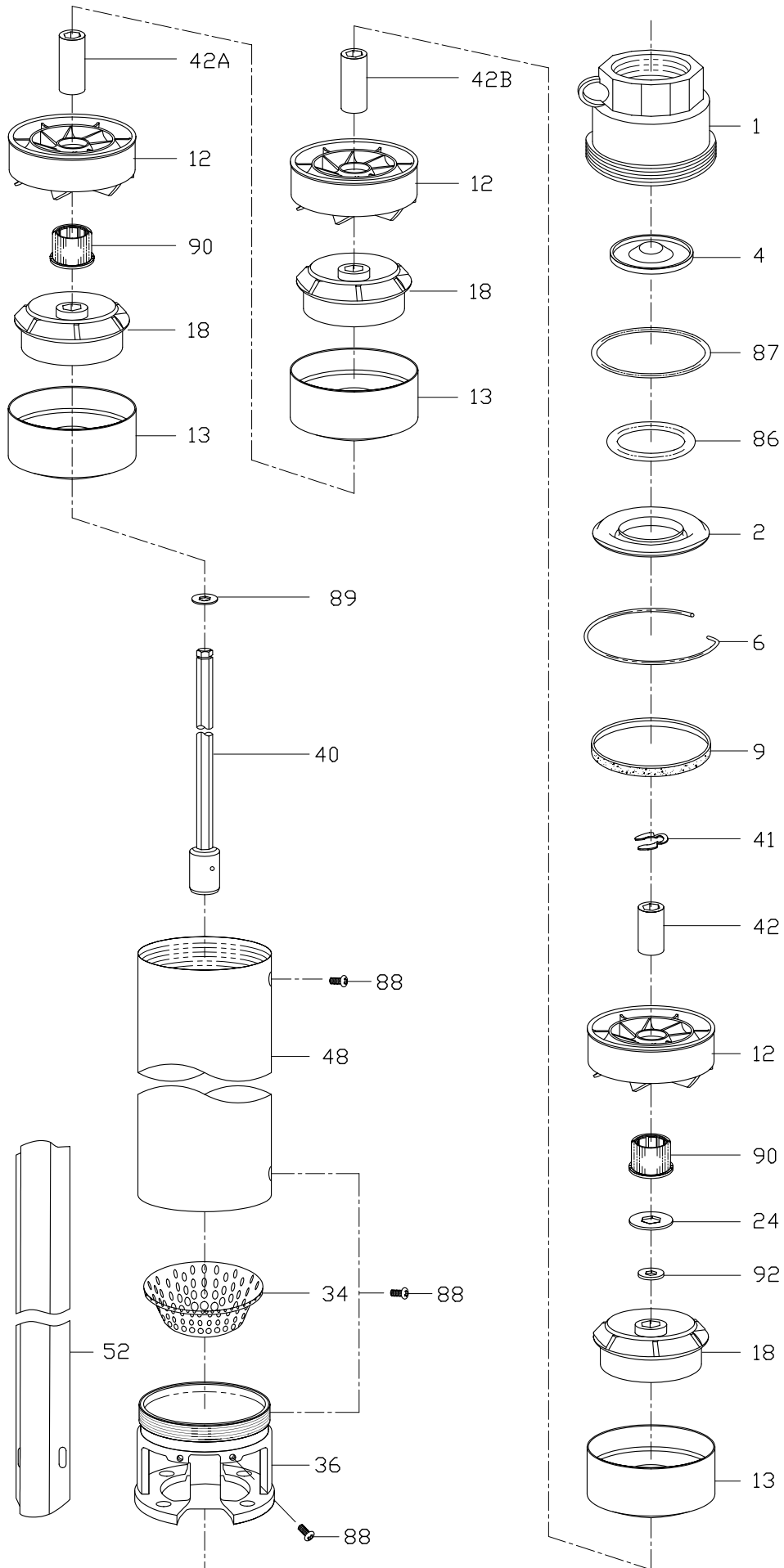
| Current Models |                 |
|----------------|-----------------|
| Type           | Number Of Stage |
| ST-55          | 22, 24, 29, 32  |
| ST-60          | 26              |

| Description |                             |
|-------------|-----------------------------|
| 1           | Discharge                   |
| 2           | Valve Casing                |
| 4           | Valve Cone                  |
| 6           | Valve Retaining Ring        |
| 9           | Adapter Ring                |
| 10          | Bearing Spider              |
| 12          | Diffuser                    |
| 13          | Bowl                        |
| 15          | Intermediate Bearing Spider |
| 18          | Impeller                    |
| 24          | Stop Ring                   |
| 34          | Strainer                    |
| 36          | Suction Interconnector      |
| 41          | Shaft Retaining Ring        |
| 41A         | Lower Shaft Retaining Ring  |
| 42          | Shaft Sleeve                |
| 42B         | Shaft Sleeve                |
| 43          | Upper Pump Shaft / Coupling |
| 45          | Lower Pump Shaft / Coupling |
| 49          | Upper Casing                |
| 51          | Lower Casing                |
| 52          | Cable Guard                 |
| 86          | O-ring                      |
| 87          | O-ring                      |
| 88          | Screw                       |
| 89          | Washer                      |
| 90          | Bearing                     |
| 92          | Washer                      |

|     |            |
|-----|------------|
| 2   | 29/08/2007 |
| No. | Date       |

# Drawing for parts list

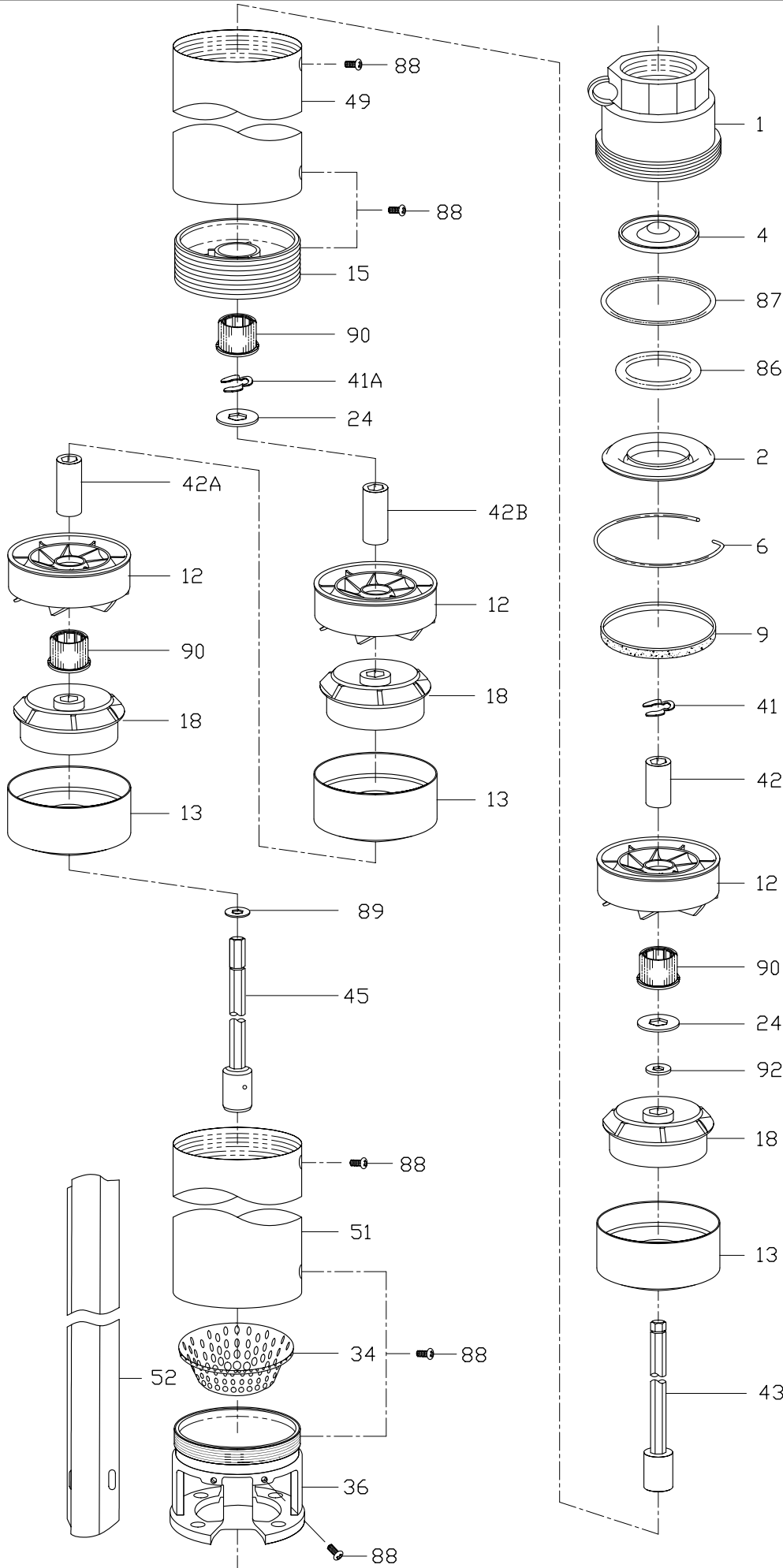
# ST-80



| Description |                        |
|-------------|------------------------|
| 1           | Discharge              |
| 2           | Valve Casing           |
| 4           | Valve Cone             |
| 6           | Valve Retaining Ring   |
| 9           | Adapter Ring           |
| 12          | Diffuser               |
| 13          | Bowl                   |
| 18          | Impeller               |
| 24          | Stop Ring              |
| 34          | Strainer               |
| 36          | Suction Interconnector |
| 40          | Pump Shaft / Coupling  |
| 41          | Shaft Retaining Ring   |
| 42          | Shaft Sleeve           |
| 42A         | Shaft Sleeve           |
| 42B         | Shaft Sleeve           |
| 48          | Casing                 |
| 52          | Cable Guard            |
| 86          | O-ring                 |
| 87          | O-ring                 |
| 88          | Screw                  |
| 89          | Washer                 |
| 90          | Bearing                |
| 92          | Washer                 |

# Drawing for parts list

# ST-80



| Current Models |                 |
|----------------|-----------------|
| Type           | Number Of Stage |
| ST-80          | 20              |

| Description |                             |
|-------------|-----------------------------|
| 1           | Discharge                   |
| 2           | Valve Casing                |
| 4           | Valve Cone                  |
| 6           | Valve Retaining Ring        |
| 9           | Adapter Ring                |
| 12          | Diffuser                    |
| 13          | Bowl                        |
| 15          | Intermediate Bearing Spider |
| 18          | Impeller                    |
| 24          | Stop Ring                   |
| 34          | Strainer                    |
| 36          | Suction Interconnector      |
| 41          | Shaft Retaining Ring        |
| 41A         | Lower Shaft Retaining Ring  |
| 42          | Shaft Sleeve                |
| 42A         | Shaft Sleeve                |
| 42B         | Shaft Sleeve                |
| 43          | Upper Pump Shaft / Coupling |
| 45          | Lower Pump Shaft / Coupling |
| 49          | Upper Casing                |
| 51          | Lower Casing                |
| 52          | Cable Guard                 |
| 86          | O-ring                      |
| 87          | O-ring                      |
| 88          | Screw                       |
| 89          | Washer                      |
| 90          | Bearing                     |
| 92          | Washer                      |

|     |            |
|-----|------------|
| 2   | 29/08/2007 |
| No. | Date       |

# RECAMBIOS BOMBAS SUMERGIDAS ST

| <b>CODIGO</b> | <b>DESCRIPCION</b>                |
|---------------|-----------------------------------|
| 01ST18        | CUERPO IMPULSION ST05/18          |
| 01ST25        | CUERPO IMPULSION ST25             |
| 01ST80        | CUERPO IMPULSION ST35/80          |
| 02ST          | ASIEN TO VALVULA ST               |
| 04ST          | VALVULA RETENCION ST              |
| 06ST          | MUELLE RETENCION ST               |
| 08ST25        | SUPORTE COJINETE SUPERIOR ST05/25 |
| 09ST80        | ARO ADAPTADOR ST35/80             |
| 10ST          | SOPORTE COJINETE                  |
| 12ST05****    | DIFUSOR ST05                      |
| 12ST10****    | DIFUSOR ST10                      |
| 12ST13****    | DIFUSOR ST13                      |
| 12ST18****    | DIFUSOR ST18                      |
| 12ST25****    | DIFUSOR ST25                      |
| 12ST35****    | DIFUSOR ST35                      |
| 12ST40****    | DIFUSOR ST40                      |
| 12ST60****    | DIFUSOR ST60                      |
| 12ST80****    | DIFUSOR ST80                      |
| 1' ST05       | CAZOLETA ST05                     |
| 1' ST10       | CAZOLETA ST10                     |
| 1' ST13       | CAZOLETA ST13                     |
| 1' ST18       | CAZOLETA ST18                     |
| 1' ST25       | CAZOLETA ST25                     |
| 1' ST35       | CAZOLETA ST35                     |
| 1' ST40       | CAZOLETA ST40                     |
| 1' ST60       | CAZOLETA ST60                     |
| 1' ST80       | CAZOLETA ST80                     |
| 15ST          | SOPORTE COJINETE INTERMEDIO       |
| 18ST05        | RODETE ST05                       |
| 18ST10        | RODETE ST10                       |
| 18ST13        | RODETE ST13                       |
| 18ST18        | RODETE ST18                       |
| 18ST25        | RODETE ST25                       |
| 18ST35        | RODETE ST35                       |
| 18ST40        | RODETE ST40                       |
| 18ST60        | RODETE ST60                       |
| 18ST80        | RODETE ST80                       |
| 24ST          | ARANDELA DE TOPE ST               |
| 34ST          | FILTRO ST                         |
| 36ST          | SOPORTE IMPULSION ST              |
| 40ST0513      | CONJUNTO EJE+ACOPLAMIENTO ST0513  |
| 40ST0519      | CONJUNTO EJE+ACOPLAMIENTO ST0519  |
| 40ST0526      | CONJUNTO EJE+ACOPLAMIENTO ST0526  |
| 40ST1007      | CONJUNTO EJE+ACOPLAMIENTO ST1007  |
| 40ST1010      | CONJUNTO EJE+ACOPLAMIENTO ST1010  |
| 40ST1014      | CONJUNTO EJE+ACOPLAMIENTO ST1014  |
| 40ST1020      | CONJUNTO EJE+ACOPLAMIENTO ST1020  |
| 40ST1308      | CONJUNTO EJE+ACOPLAMIENTO ST1308  |
| 40ST1311      | CONJUNTO EJE+ACOPLAMIENTO ST1311  |
| 40ST1316      | CONJUNTO EJE+ACOPLAMIENTO ST1316  |
| 40ST1321      | CONJUNTO EJE+ACOPLAMIENTO ST1321  |
| 40ST1807      | CONJUNTO EJE+ACOPLAMIENTO ST1807  |
| 40ST1809      | CONJUNTO EJE+ACOPLAMIENTO ST1809  |

# RECAMBIOS BOMBAS SUMERGIDAS ST

| <b>CODIGO</b> | <b>DESCRIPCION</b>                        |
|---------------|---|
| 40ST1814      | CONJUNTO EJE+ACOPLAMIENTO ST1814          |
| 40ST1818      | CONJUNTO EJE+ACOPLAMIENTO ST1818          |
| 40ST1827      | CONJUNTO EJE+ACOPLAMIENTO ST1827          |
| 40ST2508      | CONJUNTO EJE+ACOPLAMIENTO ST2508          |
| 40ST2512      | CONJUNTO EJE+ACOPLAMIENTO ST2512          |
| 40ST2516      | CONJUNTO EJE+ACOPLAMIENTO ST2516          |
| 40ST2524      | CONJUNTO EJE+ACOPLAMIENTO ST2524          |
| 40ST3507      | CONJUNTO EJE+ACOPLAMIENTO ST3507          |
| 40ST3510      | CONJUNTO EJE+ACOPLAMIENTO ST3510          |
| 40ST3514      | CONJUNTO EJE+ACOPLAMIENTO ST3514          |
| 40ST3520      | CONJUNTO EJE+ACOPLAMIENTO ST3520          |
| 40ST3527      | CONJUNTO EJE+ACOPLAMIENTO ST3527          |
| 40ST4006      | CONJUNTO EJE+ACOPLAMIENTO ST4006          |
| 40ST4008      | CONJUNTO EJE+ACOPLAMIENTO ST4008          |
| 40ST4013      | CONJUNTO EJE+ACOPLAMIENTO ST4013          |
| 40ST4017      | CONJUNTO EJE+ACOPLAMIENTO ST4017          |
| 40ST4021      | CONJUNTO EJE+ACOPLAMIENTO ST4021          |
| 40ST4023      | CONJUNTO EJE+ACOPLAMIENTO ST4023          |
| 40ST6007      | CONJUNTO EJE+ACOPLAMIENTO ST6007          |
| 40ST6010      | CONJUNTO EJE+ACOPLAMIENTO ST6010          |
| 40ST6014      | CONJUNTO EJE+ACOPLAMIENTO ST6014          |
| 40ST6017      | CONJUNTO EJE+ACOPLAMIENTO ST6017          |
| 40ST6019      | CONJUNTO EJE+ACOPLAMIENTO ST6019          |
| 40ST8008      | CONJUNTO EJE+ACOPLAMIENTO ST8008          |
| 40ST8011      | CONJUNTO EJE+ACOPLAMIENTO ST8011          |
| 40ST8013      | CONJUNTO EJE+ACOPLAMIENTO ST8013          |
| 40ST8015      | CONJUNTO EJE+ACOPLAMIENTO ST8015          |
| 41AST         | CIRCLIP                                   |
| 41ST          | CIRCLIP                                   |
| 42AST25       | DISTANCIADOR ST05/25                      |
| 42AST60       | DISTANCIADOR ST35/60                      |
| 42AST80       | DISTANCIADOR ST80                         |
| 42BST25       | DISTANCIADOR ST05/25                      |
| 42ST25        | DISTANCIADOR ST35/60                      |
| 42ST80        | DISTANCIADOR ST80                         |
| 43ST0538      | CONJUNTO EJE+ACOPLAMIENTO SUPERIOR ST0538 |
| 43ST1332      | CONJUNTO EJE+ACOPLAMIENTO SUPERIOR ST1332 |
| 43ST1835      | CONJUNTO EJE+ACOPLAMIENTO SUPERIOR ST1835 |
| 43ST1844      | CONJUNTO EJE+ACOPLAMIENTO SUPERIOR ST1844 |
| 43ST1848      | CONJUNTO EJE+ACOPLAMIENTO SUPERIOR ST1848 |
| 43ST2532      | CONJUNTO EJE+ACOPLAMIENTO SUPERIOR ST2532 |
| 43ST2544      | CONJUNTO EJE+ACOPLAMIENTO SUPERIOR ST2544 |
| 43ST3534      | CONJUNTO EJE+ACOPLAMIENTO SUPERIOR ST3534 |
| 43ST3536      | CONJUNTO EJE+ACOPLAMIENTO SUPERIOR ST3536 |
| 43ST3549      | CONJUNTO EJE+ACOPLAMIENTO SUPERIOR ST3549 |
| 43ST4032      | CONJUNTO EJE+ACOPLAMIENTO SUPERIOR ST4032 |
| 43ST6026      | CONJUNTO EJE+ACOPLAMIENTO SUPERIOR ST6026 |
| 43ST8020      | CONJUNTO EJE+ACOPLAMIENTO SUPERIOR ST8020 |
| 45ST0538      | CONJUNTO EJE+ACOPLAMIENTO INFERIOR ST0538 |
| 45ST1332      | CONJUNTO EJE+ACOPLAMIENTO INFERIOR ST1332 |
| 45ST1835      | CONJUNTO EJE+ACOPLAMIENTO INFERIOR ST1835 |
| 45ST1844      | CONJUNTO EJE+ACOPLAMIENTO INFERIOR ST1844 |
| 45ST1848      | CONJUNTO EJE+ACOPLAMIENTO INFERIOR ST1848 |

# RECAMBIOS BOMBAS SUMERGIDAS ST

| <b>CODIGO</b> | <b>DESCRIPCION</b>                        |
|---------------|---|
| 45ST2532      | CONJUNTO EJE+ACOPLAMIENTO INFERIOR ST2532 |
| 45ST2544      | CONJUNTO EJE+ACOPLAMIENTO INFERIOR ST2544 |
| 45ST3534      | CONJUNTO EJE+ACOPLAMIENTO INFERIOR ST3534 |
| 45ST3536      | CONJUNTO EJE+ACOPLAMIENTO INFERIOR ST3536 |
| 45ST3549      | CONJUNTO EJE+ACOPLAMIENTO INFERIOR ST3549 |
| 45ST4032      | CONJUNTO EJE+ACOPLAMIENTO INFERIOR ST4032 |
| 45ST6026      | CONJUNTO EJE+ACOPLAMIENTO INFERIOR ST6026 |
| 45ST8020      | CONJUNTO EJE+ACOPLAMIENTO INFERIOR ST8020 |
| 48ST0513      | CAMISA ST0513                             |
| 48ST0519      | CAMISA ST0519                             |
| 48ST0526      | CAMISA ST0526                             |
| 48ST1007      | CAMISA ST1007                             |
| 48ST1010      | CAMISA ST1010                             |
| 48ST1014      | CAMISA ST1014                             |
| 48ST1020      | CAMISA ST1020                             |
| 48ST1308      | CAMISA ST1308                             |
| 48ST1311      | CAMISA ST1311                             |
| 48ST1316      | CAMISA ST1316                             |
| 48ST1321      | CAMISA ST1321                             |
| 48ST1807      | CAMISA ST1807                             |
| 48ST1809      | CAMISA ST1809                             |
| 48ST1814      | CAMISA ST1814                             |
| 48ST1818      | CAMISA ST1818                             |
| 48ST1827      | CAMISA ST1827                             |
| 48ST2508      | CAMISA ST2508                             |
| 48ST2512      | CAMISA ST2512                             |
| 48ST2516      | CAMISA ST2516                             |
| 48ST2524      | CAMISA ST2524                             |
| 48ST3507      | CAMISA ST3507                             |
| 48ST3510      | CAMISA ST3510                             |
| 48ST3514      | CAMISA ST3514                             |
| 48ST3520      | CAMISA ST3520                             |
| 48ST3527      | CAMISA ST3527                             |
| 48ST4006      | CAMISA ST4006                             |
| 48ST4008      | CAMISA ST4008                             |
| 48ST4013      | CAMISA ST4013                             |
| 48ST4017      | CAMISA ST4017                             |
| 48ST4021      | CAMISA ST4021                             |
| 48ST4023      | CAMISA ST4023                             |
| 48ST6007      | CAMISA ST6007                             |
| 48ST6010      | CAMISA ST6010                             |
| 48ST6014      | CAMISA ST6014                             |
| 48ST6017      | CAMISA ST6017                             |
| 48ST6019      | CAMISA ST6019                             |
| 48ST8008      | CAMISA ST8008                             |
| 48ST8011      | CAMISA ST8011                             |
| 48ST8013      | CAMISA ST8013                             |
| 48ST8015      | CAMISA ST8015                             |
| 49ST0538      | CAMISA SUPERIOR ST0538                    |
| 49ST1332      | CAMISA SUPERIOR ST1332                    |
| 49ST1835      | CAMISA SUPERIOR ST1835                    |
| 49ST1844      | CAMISA SUPERIOR ST1844                    |
| 49ST1848      | CAMISA SUPERIOR ST1848                    |



# RECAMBIOS BOMBAS SUMERGIDAS ST

| <b>CODIGO</b> | <b>DESCRIPCION</b>      |
|---------------|-------------------------|
| 49ST2532      | CAMISA SUPERIOR ST2532  |
| 49ST2544      | CAMISA SUPERIOR ST2544  |
| 49ST3534      | CAMISA SUPERIOR ST3534  |
| 49ST3536      | CAMISA SUPERIOR ST3536  |
| 49ST3549      | CAMISA SUPERIOR ST3549  |
| 49ST4032      | CAMISA SUPERIOR ST4032  |
| 49ST6026      | CAMISA SUPERIOR ST6026  |
| 49ST8020      | CAMISA SUPERIOR ST8020  |
| 51ST0538      | CAMISA INFERIOR ST0538  |
| 51ST1332      | CAMISA INFERIOR ST1332  |
| 51ST1835      | CAMISA INFERIOR ST1835  |
| 51ST1844      | CAMISA INFERIOR ST1844  |
| 51ST1848      | CAMISA INFERIOR ST1848  |
| 51ST2532      | CAMISA INFERIOR ST2532  |
| 51ST2544      | CAMISA INFERIOR ST2544  |
| 51ST3534      | CAMISA INFERIOR ST3534  |
| 51ST3536      | CAMISA INFERIOR ST3536  |
| 51ST3549      | CAMISA INFERIOR ST3549  |
| 51ST4032      | CAMISA INFERIOR ST4032  |
| 51ST6026      | CAMISA INFERIOR ST6026  |
| 51ST8020      | CAMISA INFERIOR ST8020  |
| 52ST0513      | PROTECCION CABLE ST0513 |
| 52ST0519      | PROTECCION CABLE ST0519 |
| 52ST0526      | PROTECCION CABLE ST0526 |
| 52ST0538      | PROTECCION CABLE ST0538 |
| 52ST1007      | PROTECCION CABLE ST1007 |
| 52ST1010      | PROTECCION CABLE ST1010 |
| 52ST1014      | PROTECCION CABLE ST1014 |
| 52ST1020      | PROTECCION CABLE ST1020 |
| 52ST1308      | PROTECCION CABLE ST1308 |
| 52ST1311      | PROTECCION CABLE ST1311 |
| 52ST1316      | PROTECCION CABLE ST1316 |
| 52ST1321      | PROTECCION CABLE ST1321 |
| 52ST1332      | PROTECCION CABLE ST1332 |
| 52ST1807      | PROTECCION CABLE ST1807 |
| 52ST1809      | PROTECCION CABLE ST1809 |
| 52ST1814      | PROTECCION CABLE ST1814 |
| 52ST1818      | PROTECCION CABLE ST1818 |
| 52ST1827      | PROTECCION CABLE ST1827 |
| 52ST1835      | PROTECCION CABLE ST1835 |
| 52ST1844      | PROTECCION CABLE ST1844 |
| 52ST1848      | PROTECCION CABLE ST1848 |
| 52ST2508      | PROTECCION CABLE ST2508 |
| 52ST2512      | PROTECCION CABLE ST2512 |
| 52ST2516      | PROTECCION CABLE ST2516 |
| 52ST2524      | PROTECCION CABLE ST2524 |
| 52ST2532      | PROTECCION CABLE ST2532 |
| 52ST2544      | PROTECCION CABLE ST2544 |
| 52ST3507      | PROTECCION CABLE ST3507 |
| 52ST3510      | PROTECCION CABLE ST3510 |
| 52ST3514      | PROTECCION CABLE ST3514 |
| 52ST3520      | PROTECCION CABLE ST3520 |
| 52ST3527      | PROTECCION CABLE ST3527 |

# RECAMBIOS BOMBAS SUMERGIDAS ST

| <b>CODIGO</b>   | <b>DESCRIPCION</b>      |
|-----------------|-------------------------|
| <b>52ST3534</b> | PROTECCION CABLE ST3534 |
| <b>52ST3536</b> | PROTECCION CABLE ST3536 |
| <b>52ST3549</b> | PROTECCION CABLE ST3549 |
| <b>52ST4006</b> | PROTECCION CABLE ST4006 |
| <b>52ST4008</b> | PROTECCION CABLE ST4008 |
| <b>52ST4013</b> | PROTECCION CABLE ST4013 |
| <b>52ST4017</b> | PROTECCION CABLE ST4017 |
| <b>52ST4021</b> | PROTECCION CABLE ST4021 |
| <b>52ST4023</b> | PROTECCION CABLE ST4023 |
| <b>52ST4032</b> | PROTECCION CABLE ST4032 |
| <b>52ST6007</b> | PROTECCION CABLE ST6007 |
| <b>52ST6010</b> | PROTECCION CABLE ST6010 |
| <b>52ST6014</b> | PROTECCION CABLE ST6014 |
| <b>52ST6017</b> | PROTECCION CABLE ST6017 |
| <b>52ST6019</b> | PROTECCION CABLE ST6019 |
| <b>52ST6026</b> | PROTECCION CABLE ST6026 |
| <b>52ST8008</b> | PROTECCION CABLE ST8008 |
| <b>52ST8011</b> | PROTECCION CABLE ST8011 |
| <b>52ST8013</b> | PROTECCION CABLE ST8013 |
| <b>52ST8015</b> | PROTECCION CABLE ST8015 |
| <b>52ST8020</b> | PROTECCION CABLE ST8020 |
| <b>86ST</b>     | JUNTA TORICA ST         |
| <b>87ST</b>     | JUNTA TORICA ST         |
| <b>88ST25</b>   | TORNILLO ST05/25        |
| <b>88ST80</b>   | TORNILLO ST35/80        |
| <b>89ST25</b>   | TORNILLO ST05/25        |
| <b>89ST80</b>   | ARANDELA ST35/80        |
| <b>90ST25</b>   | ARANDELA ST05/25        |
| <b>90ST80</b>   | COJINETE ST35/80        |
| <b>91ST25</b>   | ARANDELA ST05/25        |
| <b>92ST25</b>   | COJINETE ST05/25        |
| <b>93ST25</b>   | COJINETE ST05/25        |
| <b>93ST80</b>   | COJINETE ST35/80        |