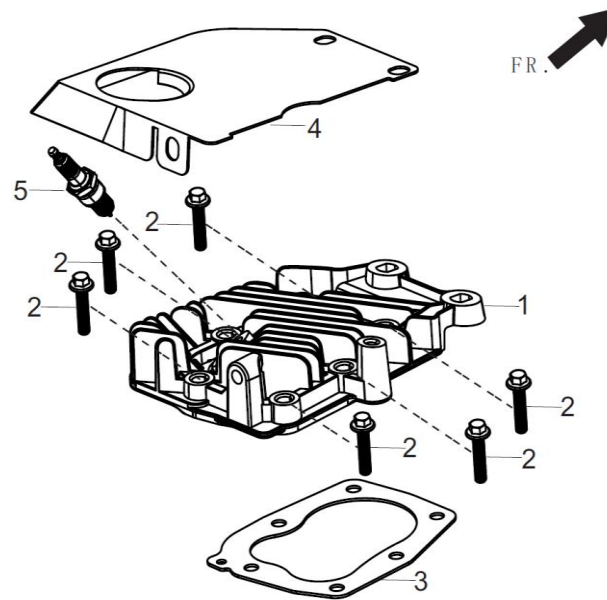


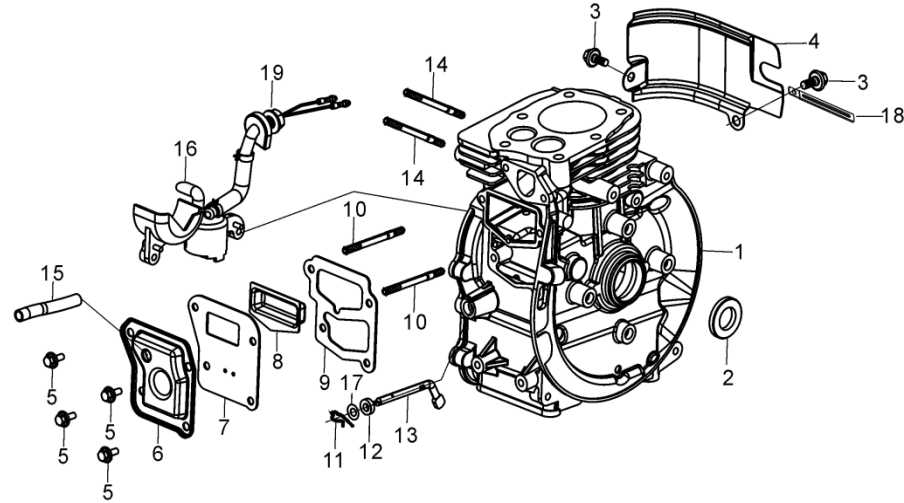
MRX-25 (RT25ZB20-1.1Q)

FIG.1 CYLINDER HEAD / PLUG,SPARK (E01)



REF.NO.	PART NO	DESCRIPTION	Q'TY		
E01-1	12140-Z450110-0D00	HEAD SUBASSEMBLY, CYLINDER	1	1	
E01-2	90001-0635-01	BOLT	6	1	
E01-3	12131-Z450110-0000	GASKET, CYLINDER HEAD	1	1	
E01-4	12014-Z450220-0000	CYLINDER HAED SHROUD	1	1	
E01-5	30010-Z450410-0000	PLUG, SPARK	1	1	

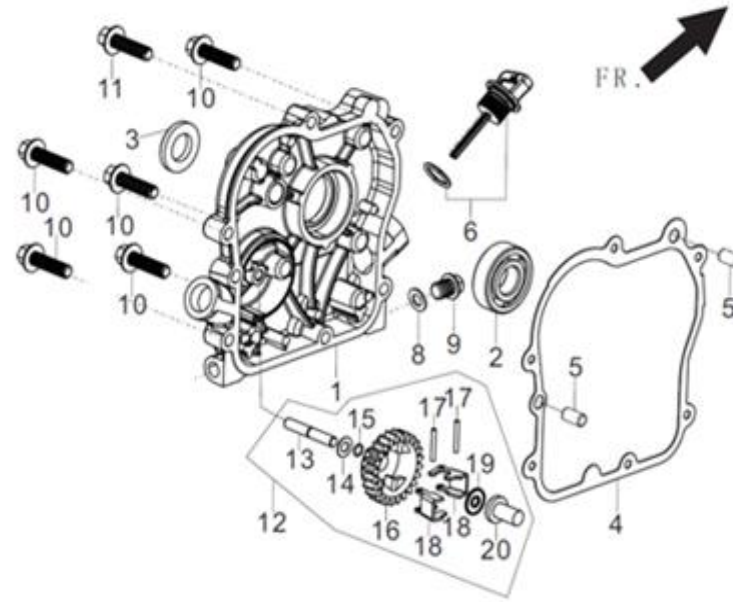
FIG.2 CRANKCASE ASSY. (E02)



REF.NO.	PART NO	DESCRIPTION	Q'TY		
E02-1	11310-Z450310-0B00	CRANKCASE SUBASSEMBLY.	1	1	
E02-2	90682-Z510110-0000	SEAL, OIL	1	1	
E02-3	90001-0612-01	BOLT	2	1	
E02-4	19304-Z450210-0000	SHROUD, CYLINDER BODY	1	1	
E02-5	90001-0510-01	BOLT	4	1	
E02-6	11302-Z450110-0000	OUTER CASE	1	1	
E02-7	11303-Z450110-0000	WASHER	1	1	
E02-8	11301-Z450210-0000	WASHER,INNER CASE	1	1	
E02-9	11304-Z450110-0000	GASKET	1	1	
E02-10	90204-Z450110-0000	STUD	2	1	
E02-11	90501-Z450110-0000	PIN	1	1	
E02-12	90682-Z450120-0000	SEAL, OIL	1	1	
E02-13	16061-Z450110-0000	ARM, GOVERNOR	1	1	
E02-14	90203-Z450110-0000	STUD	2	1	
E02-15	17004-Z450110-0000	TUBE, BREATHER	1	1	

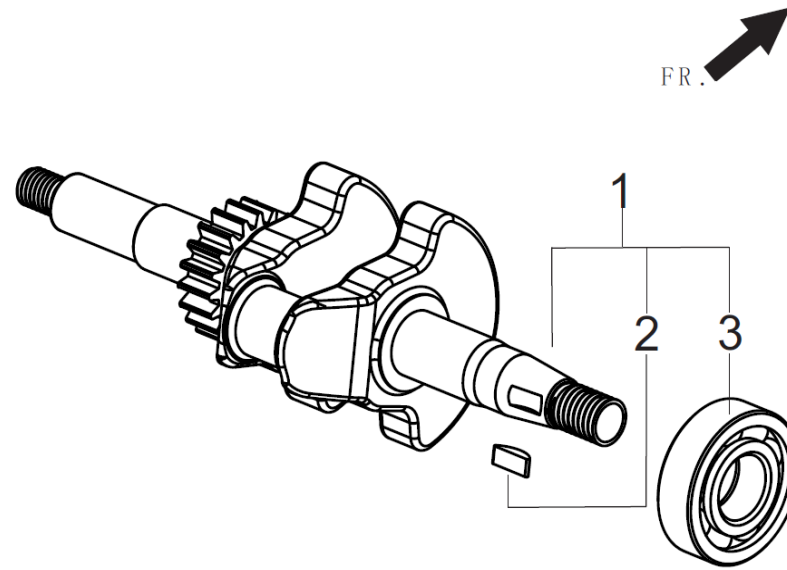
E02-16	37060-Z450120-0000		SENSOR, ENGINE OIL	1	1	
E02-17	90412-Z450310-0000		WASHER , FLAT	1	1	
E02-18	90684-Z030120-0000		CLIP	1	1	
E02-19	90305-Z010210-01		BOLT	1	1	

FIG.3 COVER SUBASSEMBLY, CRANKCASE (E03)



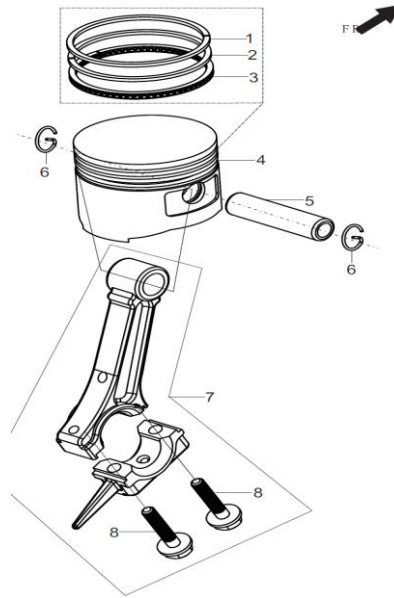
REF.NO.	PART NO		DESCRIPTION	Q'TY		
E03-1	11411-Z450310-0D00		COVER, CRANKCASE	1	1	
E03-2	90548-0203-CL		BEARING	1	1	
E03-3	90682-Z510110-0000		SEAL, OIL	1	1	
E03-4	11001-Z450120-0000		GASKET, CRANKCASE	1	1	
E03-5	90502-0814-00		PIN	2	1	
E03-6	15010-Z450110-Q500		DIPSTICK SUBASSEMBLY, OIL	1	1	
E03-8	90408-Z010110-0000		WASHER , FLAT	1	1	
E03-9	11007-Z450110-0000		BOLT, DRAIN PLUG	1	1	
E03-10	90001-0630-01		BOLT	5	1	
E03-11	90001-0625-01		BOLT	1	1	
E03-12	16400-Z450110-0000		GEAR ASSY, GOVERNOR	1	1	
E03-15	90412-Z450210-0000			1	1	

FIG.4 ROD,CRANKSHAFT CONNETING(E04)



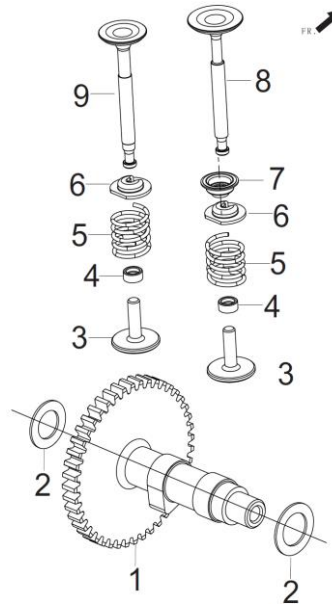
REF.NO.	PART NO	DESCRIPTION	Q'TY		
E04-1	13300-Z450310-0000	CRANKSHAFT ASSY.	1	1	

FIG.5 RING SET,OIL / ROD,CRANKSHAFT CONNETING (E05)



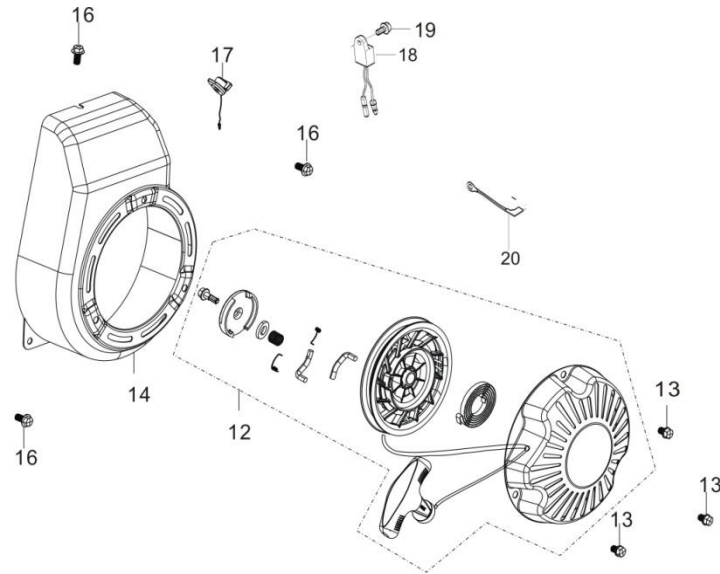
REF.NO.	PART NO		DESCRIPTION	Q'TY		
E05-1	13201-Z450110-0000		RING, THE FIRST	1	1	
E05-2	13202-Z450110-0000		RING, THE SECOND	1	1	
E05-3	13210-Z450110-0000		RING SET, OIL	1	1	
E05-4	13111-Z450110-0000		PISTON	1	1	
E05-5	13121-Z450110-0000		PIN, PISTON	1	1	
E05-6	13122-Z450110-0000		CLIP, PISTON PIN	2	1	
E05-7	13010-Z450110-0000		ROD, CONNECTING	1	1	

FIG.6 TRAIN,VALVE / CAMSHAFT SUBASSEMBLY (E06)



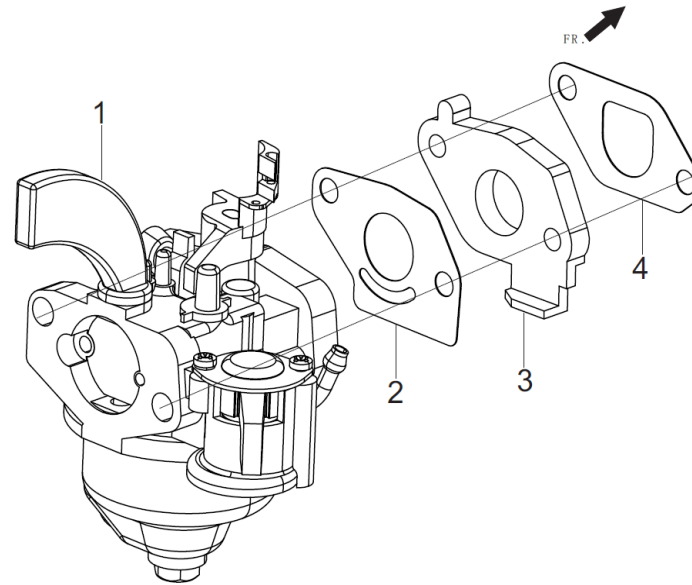
REF.NO.	PART NO		DESCRIPTION	Q'TY		
E06-1	14200-Z450110-0000		CAMSHAFT ASSY.	1	1	
E06-2	90412-Z450110-0000		WASHER , FLAT	2	1	
E06-3	14081-Z450120-0010		TAPPET, VALVE	2	1	
E06-4	12104-Z450110-0000		ROTATOR, VALVE	2	1	
E06-5	12103-Z450110-0000		SPRING, VALVE	2	1	
E06-6	12112-Z450110-0000		SEAT, VALVE SPRING	2	1	
E06-7	12101-Z450110-0000		GUIDE, SEAL	1	1	
E06-8	12111-Z450110-0000		VALVE, INTAKE	1	1	
E06-9	12121-Z450110-0000		VALVE, EXHAUST	1	1	

FIG.7 STARTER,RECOIL (E07)



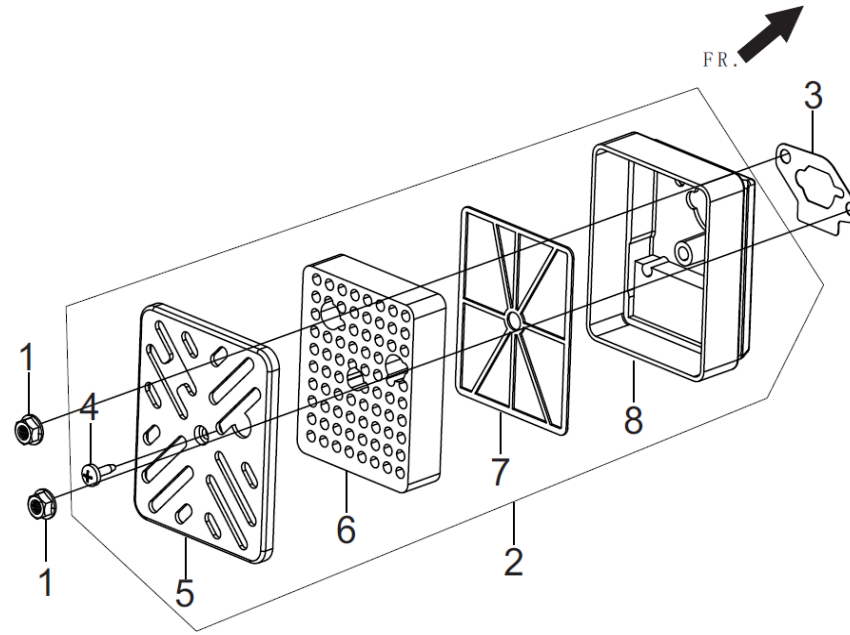
REF.NO.	PART NO		DESCRIPTION	Q'TY		
E07-12	28200-Z450110-H600		STARTER ASSY, RECOIL	1	1	
E07-13	90001-0608-01		BOLT	3	1	
E07-14	28110-Z450110-RD00		SHROUD	1	1	
E07-16	90001-0612-01		BOLT	3	1	
E07-17	35540-Z060140-QG00		SWITCH SUBASSEMBLY, STOP ENGINE	1	1	
E07-18	37050-Z010210-0000		PROTECTOR, OIL	1	1	
E07-19	90001-0614-01		BOLT	1	1	
E07-20	35541-Z450110-0000			1	1	

FIG.8 CARBURETOR ASSY. (E08)



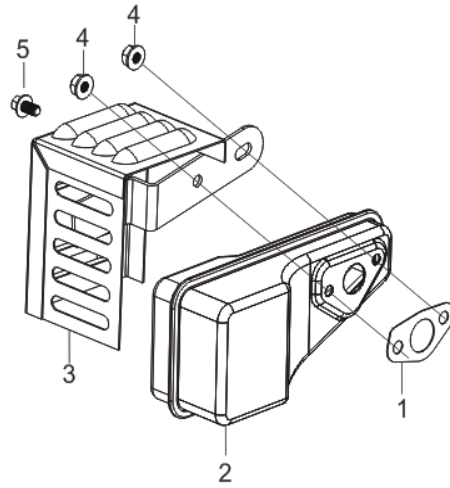
REF.NO.	PART NO		DESCRIPTION	Q'TY		
E08-1	16100-Z450210-0000		CARBURETOR ASSY.	1	1	
E08-2	16001-Z450120-0000		GASKET, CARBURETOR	1	1	
E08-3	16003-Z450110-0000		PLATE, CARBURETOR INSULATOR	1	1	
E08-4	17002-Z450120-0000		GASKET, INLET	1	1	

FIG.9 CLEANER, AIR (E09)



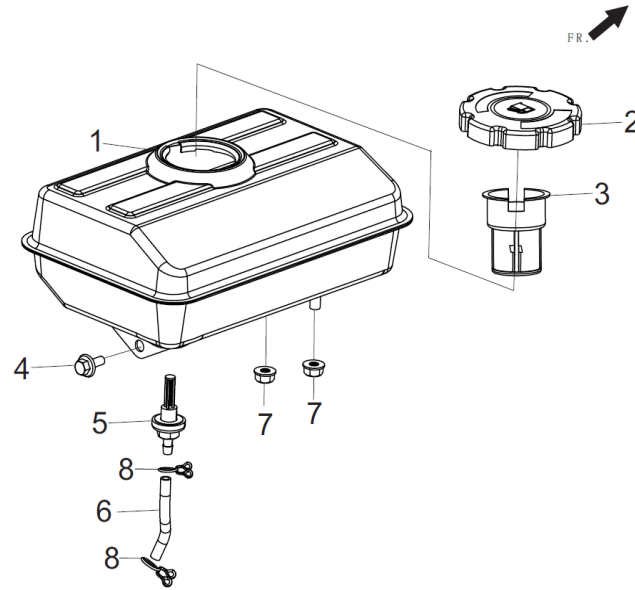
REF.NO.	PART NO		DESCRIPTION	Q'TY		
E09-1	90305-0500-31		NUT	2	1	
E09-2	17100-Z450220-0000		CLEANER, AIR	1	1	
E09-3	17001-Z450120-0000		GASKET, AIR CLEANER	1	1	

FIG.10 MUFFLER ASSY. (E10)



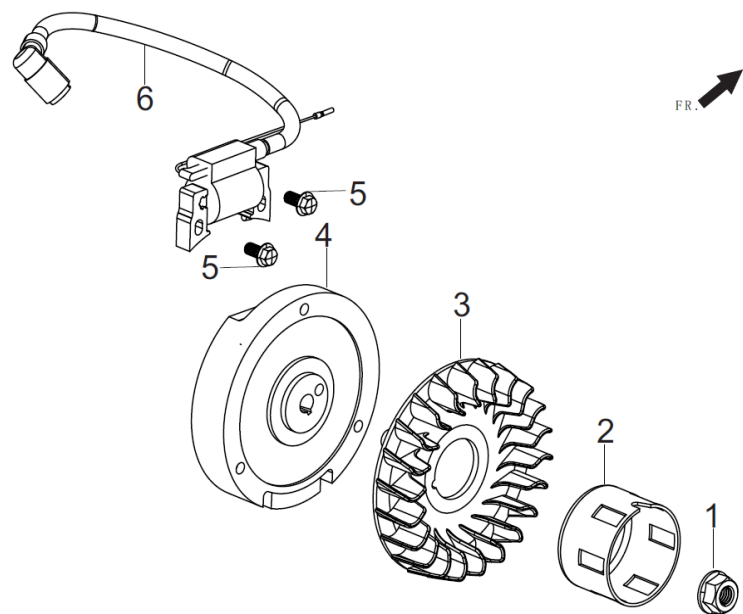
REF.NO.	PART NO		DESCRIPTION	Q'TY		
E10-1	18001-Z450110-0000		GASKET, EXHAUST OUTLET	1	1	
E10-2	18160-Z450210-0000		MUFFLER BODY	1	1	
E10-3	18013-Z450210-QA00		MUFFLER SHIELD	1	1	
E10-4	90305-0600-31		NUT	2	1	
E10-5	90001-0614-01		BOLT	1	1	

FIG.11 TANK ASSY, FUEL (E11)



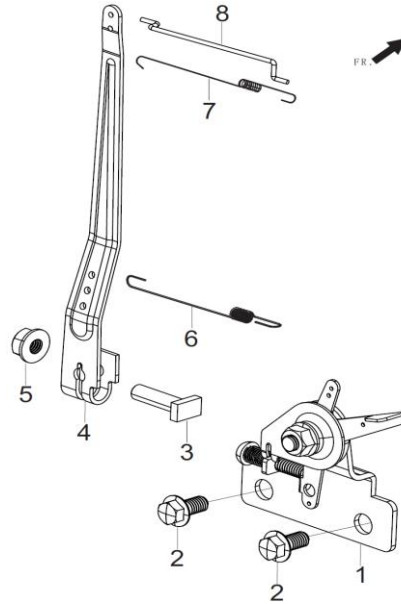
REF.NO.	PART NO		DESCRIPTION	Q'TY		
E11-1	16620-Z450210-H600		TANK, FUEL	1	1	
E11-2	16730-Z300120-0000		COVER, FUEL TANK	1	1	
E11-3	16652-Z450110-0000		STRAINER , FUEL	1	1	
E11-4	90001-0612-01		BOLT	1	1	
E11-5	16680-Z010110-0000		OUTLET SUBASSEMBLY, FUEL TANK OIL	1	1	
E11-6	90686-Z450120-0000		TUBE, FUEL	1	1	
E11-7	90305-0600-31		NUT	2	1	
E11-8	90740-Z010210-0000		CLAMP	2	1	

FIG.12 FLYWHEEL / IMPELLER / STARTER PULLEY / IGNITION COIL (E12)



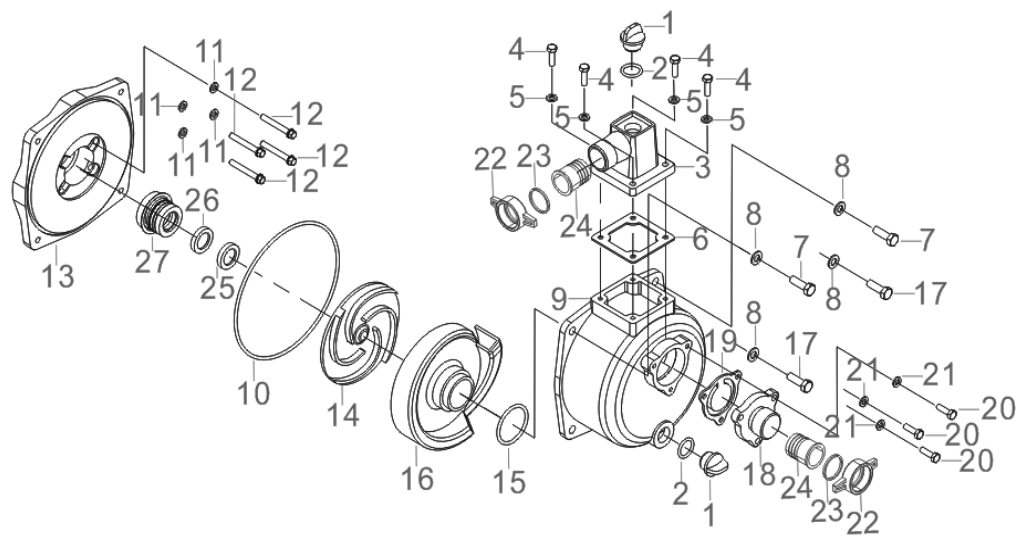
REF.NO.	PART NO		DESCRIPTION	Q'TY		
E12-1	13501-Z510110-0000		NUT, FLYWHEEL	1	1	
E12-2	28002-Z450110-0000		PULLEY,STARTER	1	1	
E12-3	19352-Z450110-0000		IMPELLER	1	1	
E12-4	13510-Z450120-0000		FLYWHEEL SUBASSEMBLY	1	1	
E12-5	90001-0625-01		BOLT	2	1	
E12-6	30400-Z450310-0100		COIL, IGNITION	1	1	

FIG.13 CONTROL ASSY, THROTTLE (E13)



REF.NO.	PART NO	DESCRIPTION	Q'TY		
E13-1	16520-Z450210-0000	CONTROL ASSY, THROTTLE	1	1	
E13-2	90001-0612-01	BOLT	2	1	
E13-3	16072-Z010110-0000	BOLT, GOVERNOR SUPPORT	1	1	
E13-4	16070-Z450110-0000	SUPPORT SUBASSEMBLY, GOVERNOR	1	1	
E13-5	90305-0600-31	NUT	1	1	
E13-6	16063-Z450110-0000	SPRING, GOVERNOR	1	1	
E13-7	16012-Z450110-0000	SPRING, THROTTLE VALVE RETURNING	1	1	
E13-8	16062-Z450110-0000	ROD, GOVERNEOR	1	1	

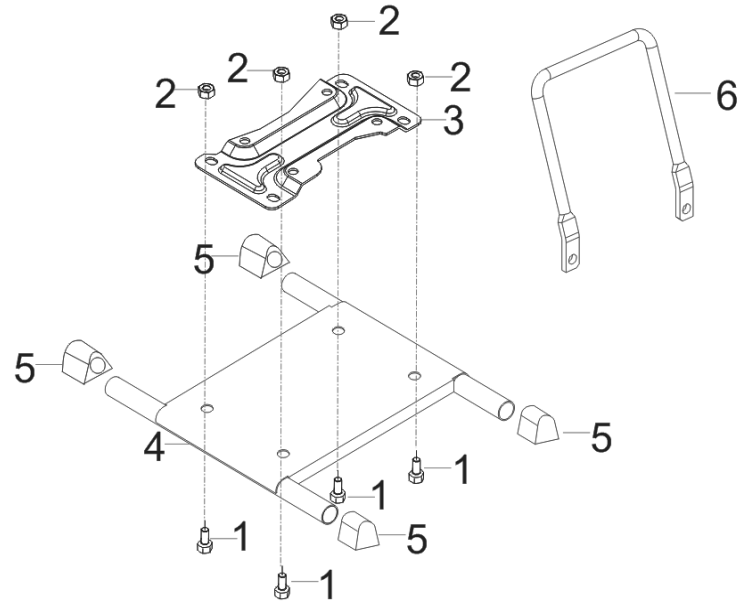
FIG.14 (E14)



REF.NO.	PART NO	DESCRIPTION	Q'TY		
E14-1	70107-V040210-0000	PLUG, THREAD	2	1	
E14-2	70122-V040210-0000	WASHER, SCREW PLUG	2	1	
E14-3	70108-V040310-0000	OUTLET , WATER	1	1	
E14-4	90005-0620-01	BOLT	4	1	
E14-5	90408-0600-01	WASHER , FLAT	4	1	
E14-6	70109-V040210-0000	GASKET , OUTLET	1	1	
E14-7	90005-0835-01	BOLT	2	1	
E14-8	90408-0800-01	WASHER , FLAT	4	1	
E14-9	70105-V040210-0000	PUMP BODY	1	1	
E14-10	70119-V040210-0000	CUSHION, WATER PUMP JOINT	1	1	
E14-11	90409-V050110-0000	GASKET	4	1	
E14-12	90102-0645-01	BOLT	4	1	

E14-13	70118-V040210-0000		JOINT, WATER PUMP	1	1	
E14-14	70102-V040210-0000		IMPELLER, WATER PUMP	1	1	
E14-15	70104-V040210-0000		RIGN , WHORL CASE SEALING	1	1	
E14-16	70103-V040210-0000		CASE, WHORL	1	1	
E14-17	90005-0820-01		BOLT	2	1	
E14-18	70116-V040310-0000		INLET, WATER	1	1	
E14-19	70115-V040210-0000		GASKET , INLET WATER	1	1	
E14-20	90005-0620-01		BOLT	3	1	
E14-21	90408-0600-01		WASHER , FLAT	4	1	
E14-22	70111-V040110-0000		JOINT, HOSE	2	1	
E14-23	70131-V040110-0000		RING, HOSE JOINT SEAL	2	1	
E14-24	70112-V040110-0000		INTERFACE, HOSE	2	1	
E14-25	70309-V040210-0000		SEAL, PORCELAIN	1	1	
E14-26	70125-V040210-0000		RING, IMPELLER SEAL	1	1	
E14-27	70300-V040210-0000		SEAL ASSY, MECHANISM	1	1	
	70100-V040310-0000		PUMP ASSY, WATER	1	1	

FIG.15 FRAME ASSY, ENGINE (E15)



REF.NO.	PART NO	DESCRIPTION	Q'TY		
E15-1	90001-0820-01	BOLT	4	1	
E15-2	90327-0800-31	NUT	4	1	
E15-3	51002-Z450110-0000	PLATE,ENGINE FIXED BOTTOM	1	1	
E15-4	51100-V050110-H6L0	FRAME ASSY, ENGINE	1	1	
E15-5	51014-V050110-0000	SEAT, ENGINE FRAME SHOCK ABSORPTION	4	1	
E15-6	54111-V040220-0000	HANDLE	1	1	