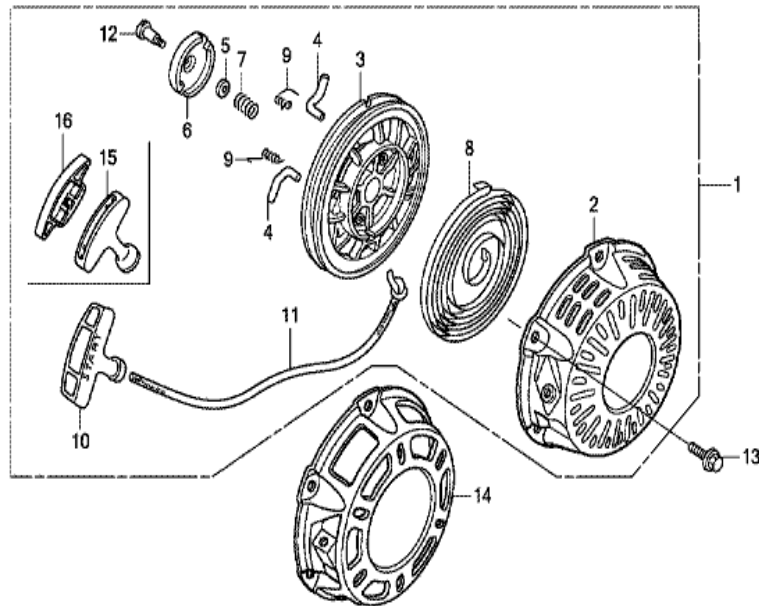


GX160UT2(WKS)

E-11 RECOIL STARTER



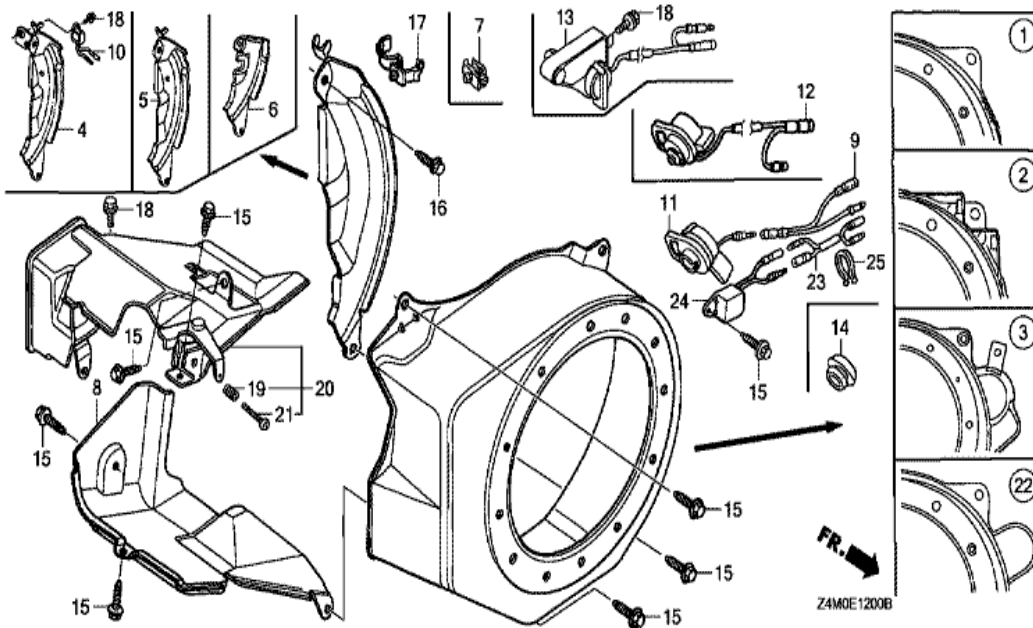
Z4M0E1100B

<u>Ref</u>	<u>Partnumber</u>	<u>Description</u>	<u>GX160UT2</u>	<u>Serial Numbers</u>
001	28400-Z4M-003ZA	STARTER ASSY., RECOIL *R280*	1	
001	28400-Z4M-003ZC	STARTER ASSY., RECOIL *NH1*	1	
001	28400-Z4M-305ZB	STARTER ASSY., RECOIL (COO) (FOR U.S.A.)	1	
001	28400-Z4M-305ZD	STARTER ASSY., RECOIL (COO) (FOR U.S.A.)	1	
002	28410-Z4M-003ZB	CASE COMP., RECOIL STARTER *R280*	1	
002	28410-Z4M-003ZD	CASE COMP., RECOIL STARTER *NH1*	1	
003	28421-Z0T-003	REEL, RECOIL STARTER (BLACK)	1	
004	28422-ZH8-801	RATCHET, STARTER	2	
005	28431-ZH8-801	PLATE, FRICTION	1	
006	28433-ZH8-801	GUIDE, RATCHET	1	
007	28441-ZH8-801	SPRING, FRICTION	1	
008	28442-ZH8-003	SPRING, RECOIL STARTER	1	
009	28443-ZH8-801	SPRING, RETURN	2	
<u>Ref</u>	<u>Partnumber</u>	<u>Description</u>	<u>GX160UT2</u>	<u>Serial Numbers</u>
011	28462-ZH8-003	ROPE, RECOIL STARTER	1	
012	90003-ZH8-801	SCREW, SETTING	1	

013	90008-ZE2-003	BOLT, FLANGE, 6X10	3
015	28461-Z4M-003	KNOB, RECOIL STARTER	1
015	28461-Z4M-305	KNOB, RECOIL STARTER (COO) (FOR U.S.A.)	1
016	28463-Z4M-003	KNOB, REINFORCEMENT	1

GX160UT2(WKS)

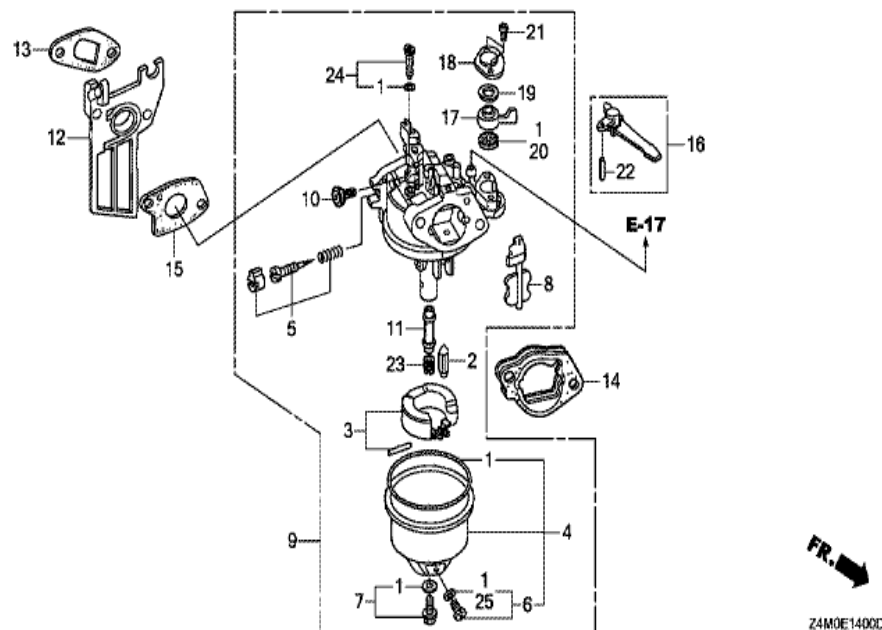
E-12 FAN COVER



<u>Ref</u>	<u>Partnumber</u>	<u>Description</u>	<u>GX160UT2</u>	<u>Serial Numbers</u>
001	19610-Z4M-000ZA	COVER COMP., FAN *R280*	1	
001	19610-Z4M-000ZB	COVER COMP., FAN *NH1*	1	
004	19611-Z4M-810	PLATE COMP., SIDE (OIL ALERT)	1	
008	19630-Z4M-000	SHROUD COMP.	1	
010	34150-ZH7-013	ALERT UNIT, OIL	1	
012	35120-Z0T-851	SWITCH ASSY., ENGINE STOP	1	
015	90013-883-000	BOLT, FLANGE, 6X12 (CT200)	6	
016	90022-888-010	BOLT, FLANGE, 6X20 (CT200)	1	
017	90601-ZH7-013	CLIP, HARNESS	1	
018	95701-0600800	BOLT, FLANGE, 6X8	1	

GX160UT2(WKS)

E-14 CARBURETOR (1)



FR. →

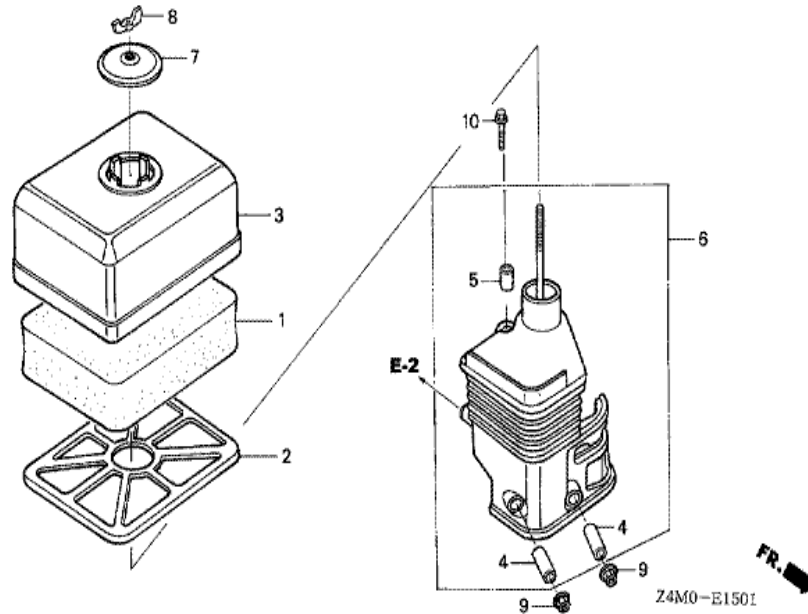
Z4M0E1400D

<u>Ref</u>	<u>Partnumber</u>	<u>Description</u>	<u>GX160UT2</u>	<u>Serial Numbers</u>
001	16010-ZE0-025	GASKET SET	1	
002	16011-ZE0-005	VALVE SET, FLOAT	1	
003	16013-Z0S-B01	FLOAT SET	1	
004	16015-Z4M-911	CHAMBER SET, FLOAT	1	
005	16016-ZH7-W01	SCREW SET, PILOT	1	
006	16024-Z5T-901	SCREW SET, DRAIN	1	
007	16028-Z5T-901	SCREW SET	1	
008	16044-Z4M-911	CHOKE SET	1	
009	16100-Z4M-932	CARBURETOR ASSY. (BE66U A)	1	
009	16100-Z4M-932	CARBURETOR ASSY. (BE66U A)	1	
010	16124-ZE0-005	SCREW, THROTTLE STOP	1	
011	16166-Z4M-922	NOZZLE, MAIN	1	
011	16166-Z4M-922	NOZZLE, MAIN	1	
<u>Ref</u>	<u>Partnumber</u>	<u>Description</u>	<u>GX160UT2</u>	<u>Serial Numbers</u>
012	16211-Z4M-000	INSULATOR, CARBURETOR	1	
013	16212-ZH8-800	PACKING, INSULATOR	1	

014	16220-ZE1-020	SPACER COMP., CARBURETOR	1
015	16221-ZH8-801	PACKING, CARBURETOR	1
016	16610-ZE1-000	LEVER COMP., CHOKE (STD.)	1
017	16953-ZE1-812	LEVER, COCK	1
018	16954-ZE1-812	PLATE, LEVER SETTING	1
019	16956-ZE1-811	SPRING, COCK LEVER	1
020	16957-ZE1-812	PACKING, FUEL COCK	1
021	93500-030061H	SCREW, PAN, 3X6	2
022	94305-20122	PIN, SPRING, 2X12	1
023	99101-ZH80620	JET, MAIN, #62	(1)
023	99101-ZH80650	JET, MAIN, #65	(1)
023	99101-ZH80680	JET, MAIN, #68	1
024	99204-ZE00350	JET SET, PILOT, #35	1

GX160UT2(WKS)

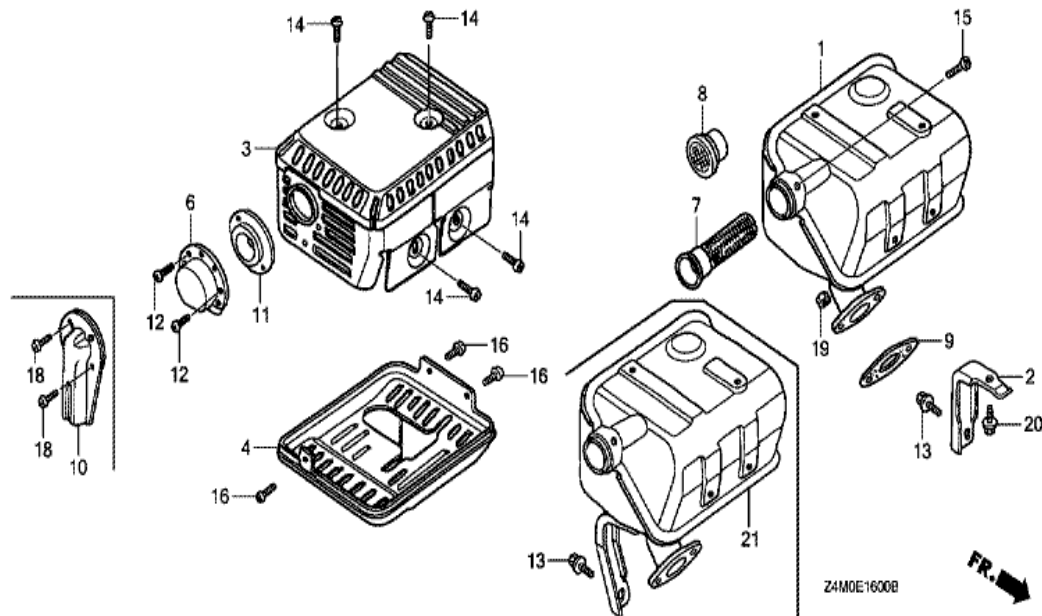
E-15-1 AIR CLEANER (2)



<u>Ref</u>	<u>Partnumber</u>	<u>Description</u>	<u>GX160UT2</u>	<u>Serial Numbers</u>
001	17211-ZE1-000	ELEMENT, AIR CLEANER (SEMI DRY)	1	
002	17212-ZE1-000	GRID, AIR CLEANER (SEMI DRY)	1	
003	17231-ZE1-000	COVER, AIR CLEANER (SEMI DRY)	1	
004	17238-ZE7-010	COLLAR, AIR CLEANER	2	
005	17239-ZE1-000	COLLAR B, AIR CLEANER	1	
006	17410-ZE1-020	ELBOW COMP., AIR CLEANER	1	
007	17421-ZE1-000	CAP, CLEANER	1	
008	90325-044-000	NUT, TOOL BOX SETTING	1	
009	94050-06000	NUT, FLANGE, 6MM	2	
010	95701-0602000	BOLT, FLANGE, 6X20	1	

GX160UT2(WKS)

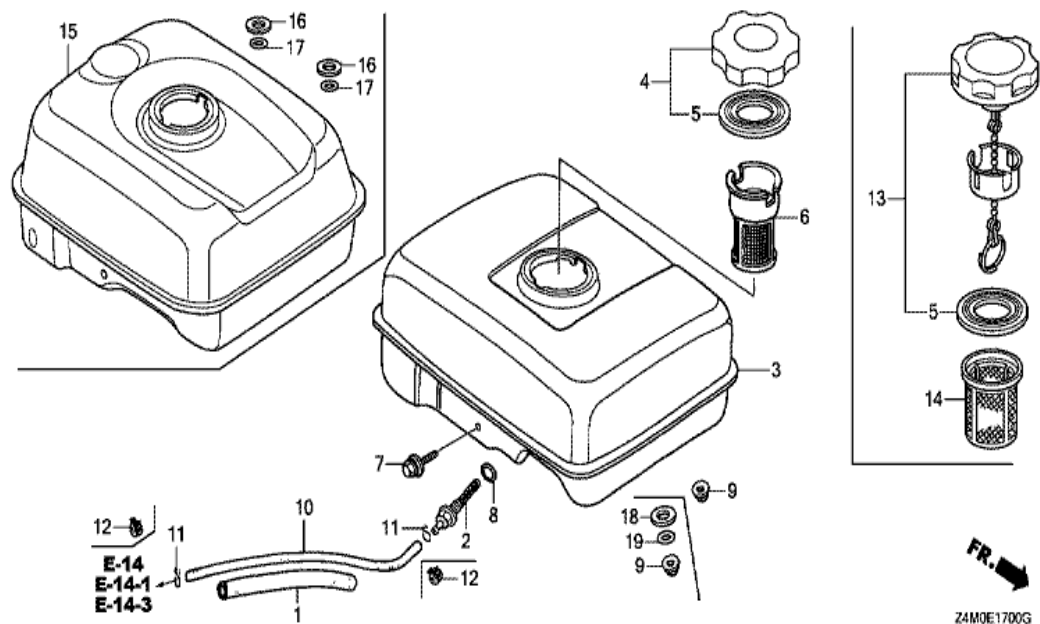
E-16 MUFFLER (1)



<u>Ref</u>	<u>Partnumber</u>	<u>Description</u>	<u>GX160UT2</u>	<u>Serial Numbers</u>
001	18310-Z4M-000	MUFFLER COMP.	1	
001	18310-Z4M-810	MUFFLER COMP. (ARRESTER)	(1)	
003	18320-Z4M-000	PROTECTOR COMP., MUFFLER (STD.)	1	
007	18355-ZE1-000	ARRESTER, SPARK	(1)	
009	18381-Z0T-801	GASKET, MUFFLER	1	
014	90050-ZE1-000	SCREW, TAPPING, 5X8	4	
015	90055-ZE1-000	SCREW, TAPPING, 4X6	(1)	
019	94001-08000S	NUT, HEX., 8MM	2	

GX160UT2(WKS)

E-17 FUEL TANK



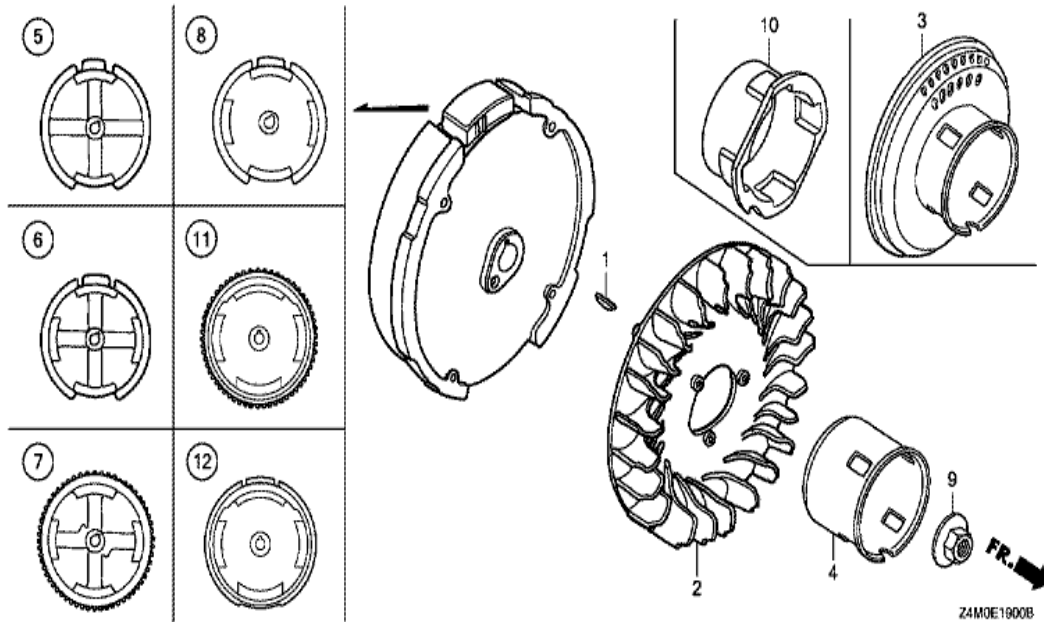
<u>Ref</u>	<u>Partnumber</u>	<u>Description</u>	<u>GX160UT2</u>	<u>Serial Numbers</u>
001	16854-ZH8-000	RUBBER, SUPPORTER (107MM)	1	
002	16955-ZE1-010	JOINT, FUEL TANK	1	
003	17510-ZE1-030ZA	TANK COMP., FUEL *NH31 *	1	
003	17510-ZE1-030ZA	TANK COMP., FUEL *NH31 *	1	1041307
003	17510-ZE1-030ZF	TANK COMP., FUEL *NH1 *	1	1041307
003	17510-ZE1-030ZF	TANK COMP., FUEL *NH1 *	1	1041307
005	17631-Z0T-801	PACKING, FUEL FILLER CAP (39X62X3) (RADI	1	
005	17631-Z0T-801	PACKING, FUEL FILLER CAP (39X62X3) (RADI	2	
007	90004-ZH7-003	BOLT, FLANGE, 6X29	1	
008	91353-671-004	O-RING, 14MM (NOK)	1	
009	94050-06000	NUT, FLANGE, 6MM	2	
010	91424-Z4M-003	TUBE, FUEL, 4.5X145 (FKM)	1	
012	95002-4080008	CLAMP, TUBE (D8)	2	
<u>Ref</u>	<u>Partnumber</u>	<u>Description</u>	<u>GX160UT2</u>	<u>Serial Numbers</u>
013	17620-Z4H-020	CAP COMP., FUEL FILLER	1	1127586
013	17620-Z4H-020	CAP COMP., FUEL FILLER	1	1127586



013	17620-Z4H-030	CAP COMP., FUEL FILLER	1	1127587
013	17620-Z4M-000	CAP COMP., FUEL FILLER	1	
013	17620-Z4M-000	CAP COMP., FUEL FILLER	1	
014	17672-Z4H-000	FILTER, FUEL	(1)	
015	17510-Z4M-000ZA	TANK COMP., FUEL *NH31*	1	
015	17510-Z4M-000ZB	TANK COMP., FUEL *NH1*	1	

GX160UT2(WKS)

E-19 FLYWHEEL

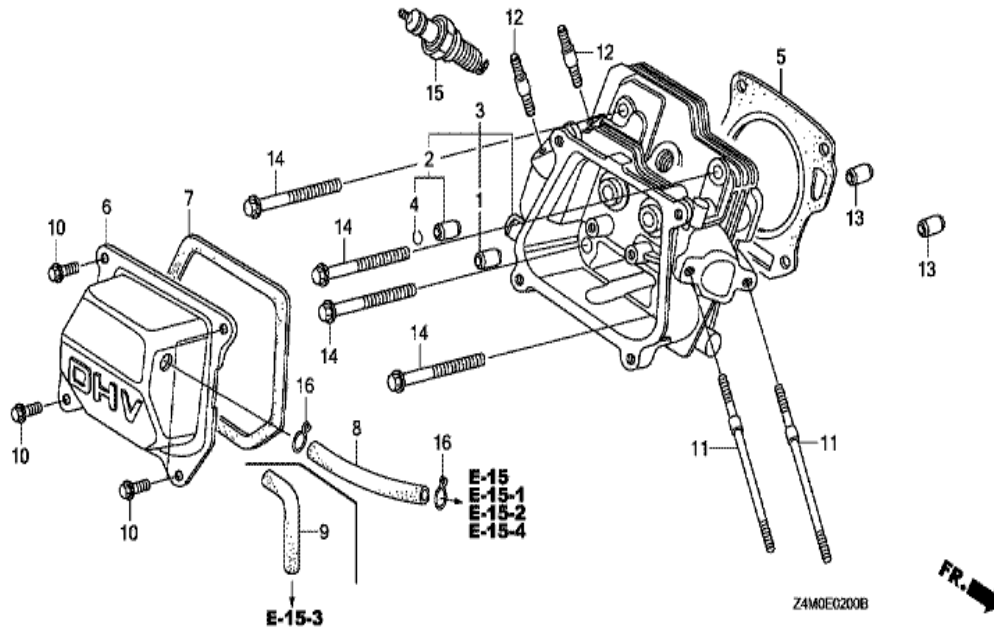


Z4M0E1900B

<u>Ref</u>	<u>Partnumber</u>	<u>Description</u>	<u>GX160UT2</u>	<u>Serial Numbers</u>
001	13331-357-000	KEY, SPECIAL WOODRUFF, 25X18	1	
002	19511-ZE1-000	FAN, COOLING	1	
004	28451-ZH8-801	PULLEY, STARTER	1	
005	31110-Z4M-000	FLYWHEEL COMP.	1	
009	90201-Z0T-800	NUT, SPECIAL, 14MM	1	

GX160UT2(WKS)

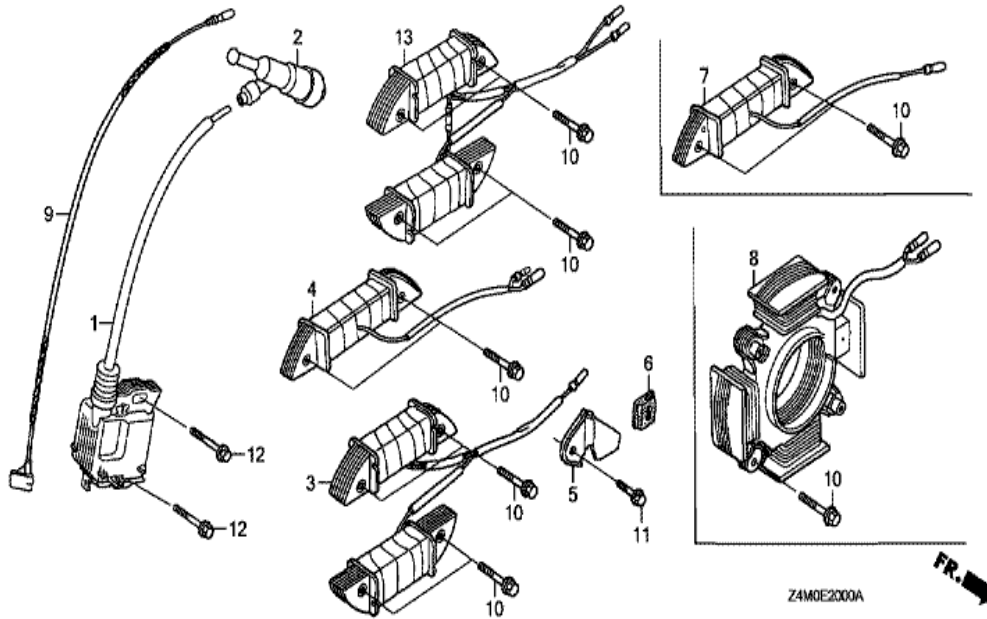
E-2 CYLINDER HEAD



<u>Ref</u>	<u>Partnumber</u>	<u>Description</u>	<u>GX160UT2</u>	<u>Serial Numbers</u>
001	12204-ZE1-306	GUIDE, IN. VALVE (OS)	1	
002	12205-ZE1-315	GUIDE, EX. VALVE (OS)	1	
003	12210-Z4M-405	HEAD COMP., CYLINDER	1	
004	12216-ZE5-300	CLIP, VALVE GUIDE	1	
005	12251-ZL0-003	GASKET, CYLINDER HEAD (NIPPON LEAKLESS)	1	
006	12310-Z4M-000	COVER COMP., HEAD	1	
007	12391-ZE1-000	PACKING, HEAD COVER	1	
008	15721-ZH8-000	TUBE, BREATHER	1	
010	90013-883-000	BOLT, FLANGE, 6X12 (CT200)	4	
011	90043-ZE1-020	BOLT, STUD, 6X112	2	
012	90047-ZE1-000	BOLT, STUD, 8X32	2	
013	94301-10160	DOWEL PIN, 10X16	2	
014	95701-0806000	BOLT, FLANGE, 8X60	4	
<u>Ref</u>	<u>Partnumber</u>	<u>Description</u>	<u>GX160UT2</u>	<u>Serial Numbers</u>
015	98079-56876	PLUG, SPARK (BPR6ES) (NGK)	1	
015	98079-56876	PLUG, SPARK (BPR6ES) (NGK)	1	

GX160UT2(WKS)

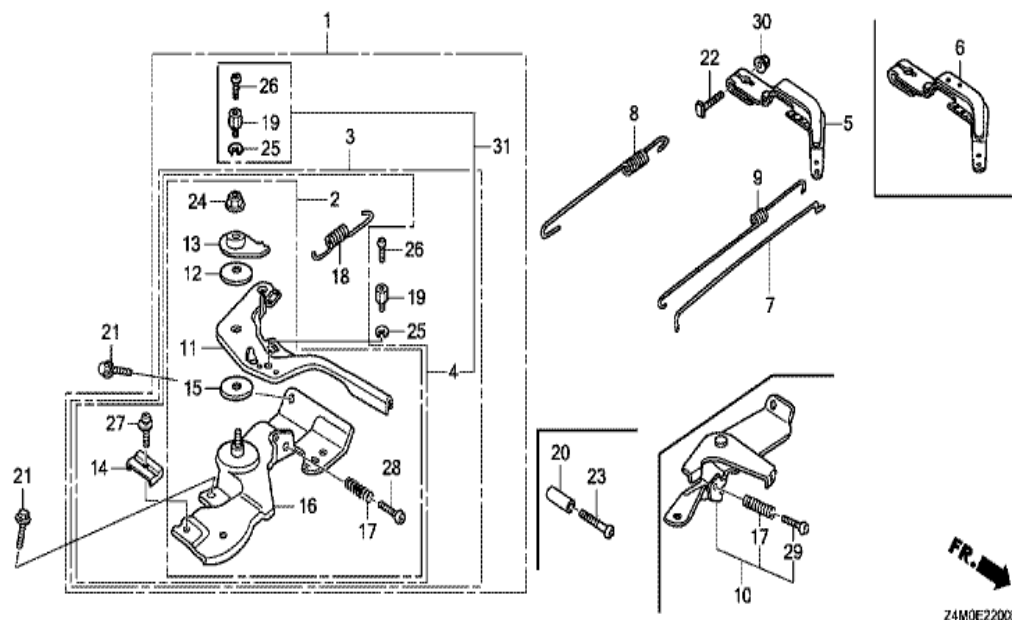
E-20 IGNITION COIL



<u>Ref</u>	<u>Partnumber</u>	<u>Description</u>	<u>GX160UT2</u>	<u>Serial Numbers</u>
001	30500-Z0T-802	COIL ASSY., IGNITION	1	
002	30700-Z0T-811	CAP ASSY., NOISE SUPPRESSOR	1	
009	36101-ZE1-010	CORD, STOP SWITCH (370MM)	1	
012	90121-952-000	BOLT, FLANGE, 6X25 (CT200)	2	

GX160UT2(WKS)

E-22 CONTROL



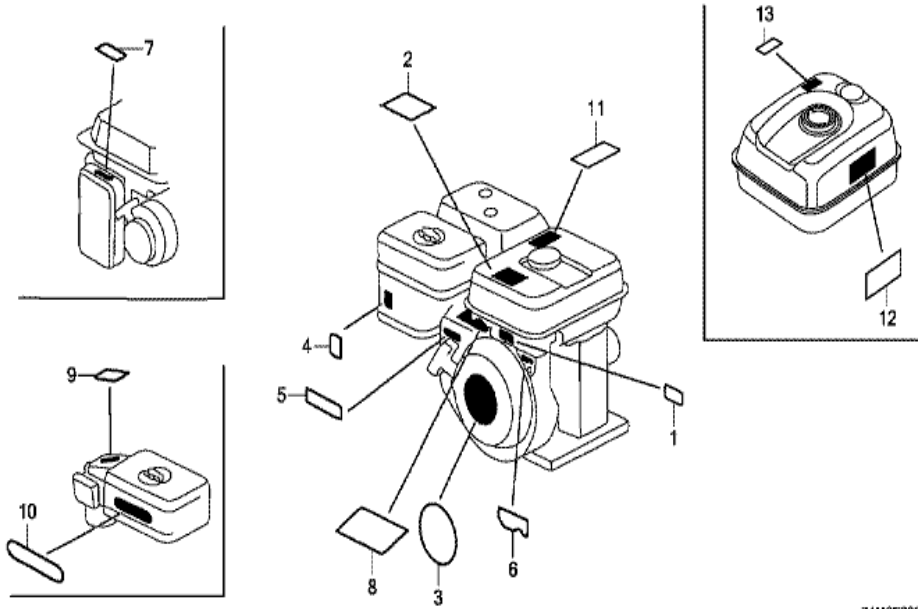
Z4M0E2200B

<u>Ref</u>	<u>Partnumber</u>	<u>Description</u>	<u>GX160UT2</u>	<u>Serial Numbers</u>
002	16500-Z4M-000	CONTROL ASSY.	1	
002	16500-Z4M-305	CONTROL ASSY. (COO) (FOR U.S.A.)	1	
005	16551-Z4M-000	ARM, GOVERNOR	1	
007	16555-Z4M-000	ROD, GOVERNOR	1	
008	16561-Z4M-000	SPRING, GOVERNOR	1	
009	16562-Z4M-000	SPRING, THROTTLE RETURN	1	
011	16571-Z4M-000	LEVER, CONTROL	1	
012	16574-ZE1-000	SPRING, LEVER	1	
013	16575-ZH8-000	WASHER, CONTROL LEVER	1	
015	16578-ZE1-000	SPACER, CONTROL LEVER	1	
016	16580-Z4M-000	BASE COMP., CONTROL	1	
017	16584-883-300	SPRING, CONTROL ADJUSTING	1	
021	90013-883-000	BOLT, FLANGE, 6X12 (CT200)	2	
<u>Ref</u>	<u>Partnumber</u>	<u>Description</u>	<u>GX160UT2</u>	<u>Serial Numbers</u>
022	90015-ZE5-010	BOLT, GOVERNOR ARM	1	
022	90015-ZE5-010	BOLT, GOVERNOR ARM	1	

024	90114-SA0-000	NUT, SELF-LOCK, 6MM	1
028	93500-050250H	SCREW, PAN, 5X25	1
030	94050-06000	NUT, FLANGE, 6MM	1

GX160UT2(WKS)

E-28 LABEL

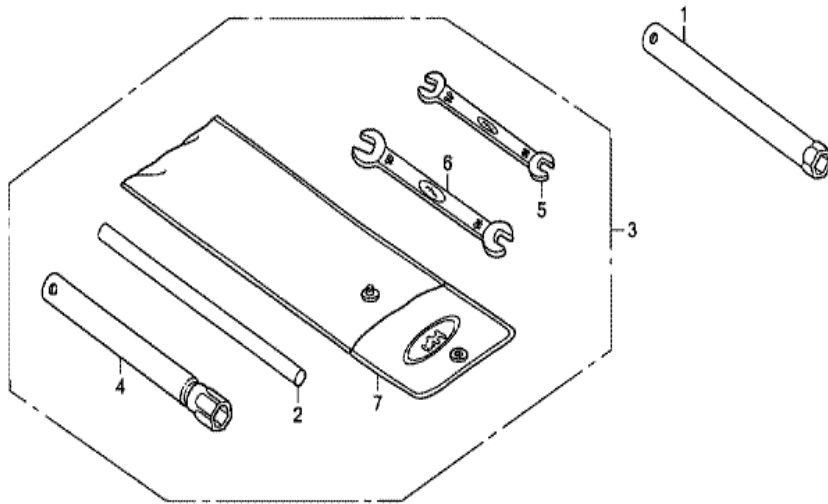


Z4M0E2800E

<u>Ref</u>	<u>Partnumber</u>	<u>Description</u>	<u>GX160UT2</u>	<u>Serial Numbers</u>
003	87521-Z4M-000	EMBLEM (GX160)	1	
004	87528-Z4M-000	MARK, CHOKE	1	
005	87532-ZH7-000	MARK, THROTTLE INDICATION	1	
012	87519-Z4H-000	MARK, OPERATOR CAUTION (PICTOGRAPH)	1	

GX160UT2(WKS)

E-29 TOOL



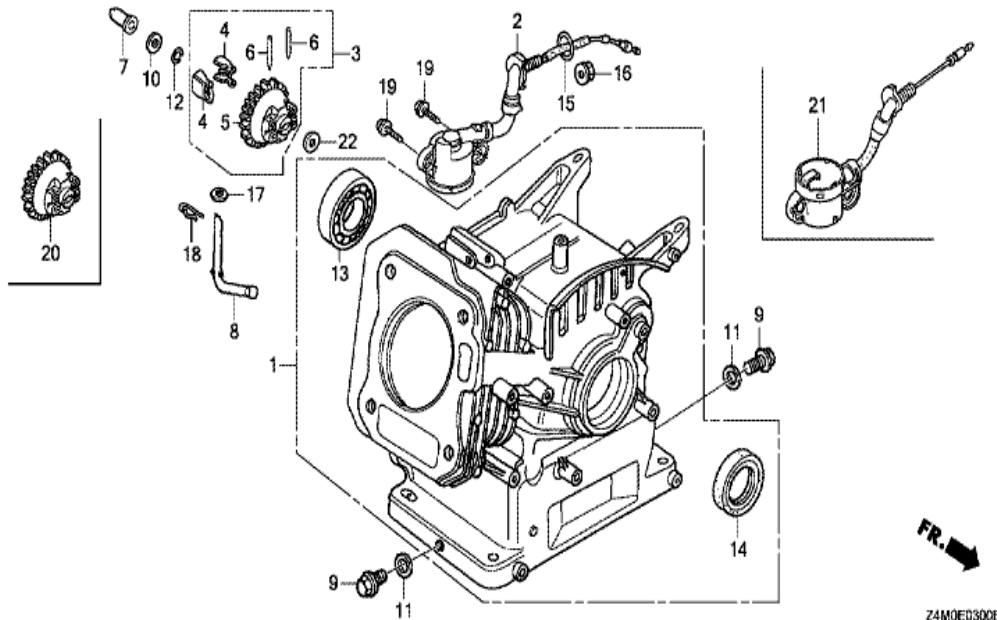
Z4M0E2900B

<u>Ref</u>	<u>Partnumber</u>	<u>Description</u>	<u>GX160UT2</u>	<u>Serial Numbers</u>
001	89216-Z0T-800	WRENCH, SPARK PLUG	1	
002	89219-805-000	HANDLE, BOX WRENCH	1	



GX160UT2(WKS)

E-3 CYLINDER BARREL



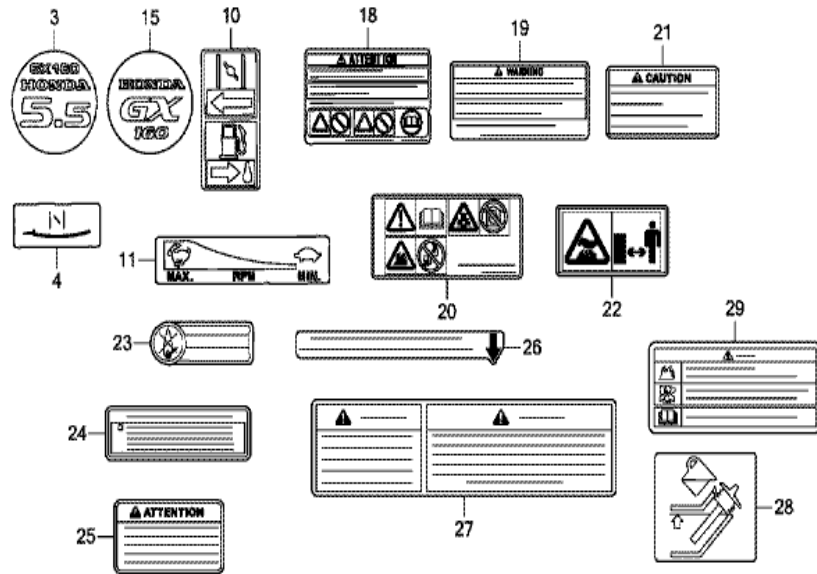
Z4M0E0300E

<u>Ref</u>	<u>Partnumber</u>	<u>Description</u>	<u>GX160UT2</u>	<u>Serial Numbers</u>
001	12000-Z4M-406	BARREL ASSY., CYLINDER (OIL ALERT)	1	
003	16510-Z4M-000	GOVERNOR ASSY.	1	
004	16511-Z4M-000	WEIGHT, GOVERNOR	2	
005	16512-Z4M-000	HOLDER, GOVERNOR WEIGHT	1	
006	16513-ZE1-000	PIN, GOVERNOR WEIGHT	2	
007	16531-Z4M-000	SLIDER, GOVERNOR	1	
008	16541-Z4M-000	SHAFT, GOVERNOR ARM	1	
009	90131-ZE1-000	BOLT, DRAIN PLUG	2	
011	90601-ZE1-000	WASHER, DRAIN PLUG, 10.2MM	2	
012	90602-ZE1-000	CLIP, GOVERNOR HOLDER	1	
013	91001-Z4X-003	BEARING, RADIAL BALL (6205) (NSK)	1	
013	91001-ZF1-003	BEARING, RADIAL BALL (6205TMB) (NTN)	1	
013	91001-ZF1-004	BEARING, RADIAL BALL (6205SH) (KOYO)	1	
<u>Ref</u>	<u>Partnumber</u>	<u>Description</u>	<u>GX160UT2</u>	<u>Serial Numbers</u>
014	91201-Z0T-801	OIL SEAL, 25X41X6	1	
015	91353-671-004	O-RING, 14MM (NOK)	1	

016	94050-10000	NUT, FLANGE, 10MM	1
017	94101-06800	WASHER, PLAIN, 6MM	1
017	94101-06800	WASHER, PLAIN, 6MM	1
018	94251-08000	PIN, LOCK, 8MM	1
019	95701-0601200	BOLT, FLANGE, 6X12	2
021	35480-Z0T-003	SWITCH ASSY., OIL LEVEL	1
022	94101-06800	WASHER, PLAIN, 6MM	1

GX160UT2(WKS)

E-40 OTHER PARTS (1)

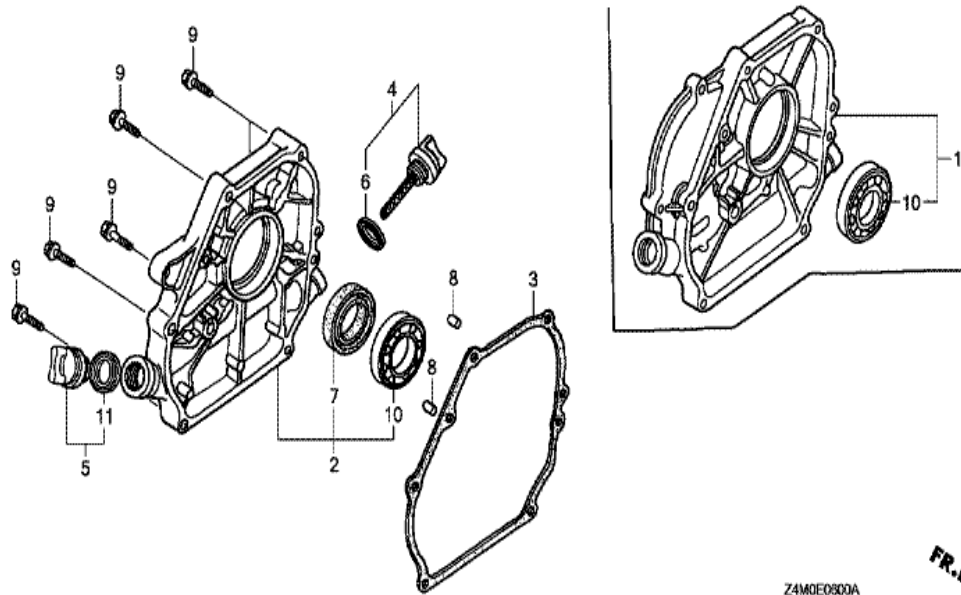


Z4M0E4000F

<u>Ref</u>	<u>Partnumber</u>	<u>Description</u>	<u>GX160UT2</u>	<u>Serial Numbers</u>
019	87516-Z4H-010	MARK, OPERATOR CAUTION (ENGLISH) (MADE I	1	
019	87516-Z4H-801	MARK, OPERATOR CAUTION (FRENCH) (MADE IN	1	
021	87539-Z4M-000	MARK, EX. CAUTION (ENGLISH)	1	
025	87539-Z4M-810	MARK, EX. CAUTION (FRENCH)	1	

GX160UT2(WKS)

E-6 CRANKCASE COVER



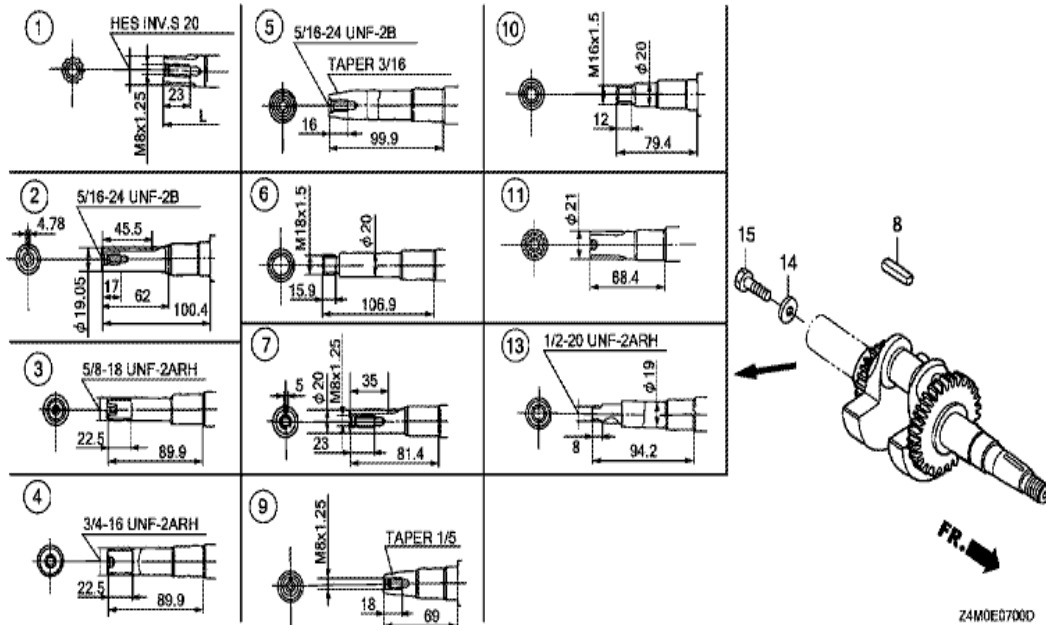
Z4M0E0900A



<u>Ref</u>	<u>Partnumber</u>	<u>Description</u>	<u>GX160UT2</u>	<u>Serial Numbers</u>
002	11300-Z4M-630	COVER ASSY., CRANKCASE	1	
002	11300-ZE1-634	COVER ASSY., CRANKCASE	1	1043713
002	11300-ZE1-634	COVER ASSY., CRANKCASE	1	1043713
003	11381-ZH8-801	PACKING, CASE COVER (NON ASBESTOS)	1	
004	15600-Z0T-810	CAP ASSY., OIL FILLER	1	
005	15600-Z0T-820	CAP ASSY., OIL FILLER	1	
006	15625-Z0T-800	PACKING, OIL FILLER CAP	1	
007	91201-Z0T-801	OIL SEAL, 25X41X6	1	
008	94301-08140	DOWEL PIN, 8X14	2	
009	95701-0803200	BOLT, FLANGE, 8X32	6	
010	96100-6205000	BEARING, RADIAL BALL, 6205	1	
011	15625-Z0T-800	PACKING, OIL FILLER CAP	1	

GX160UT2(WKS)

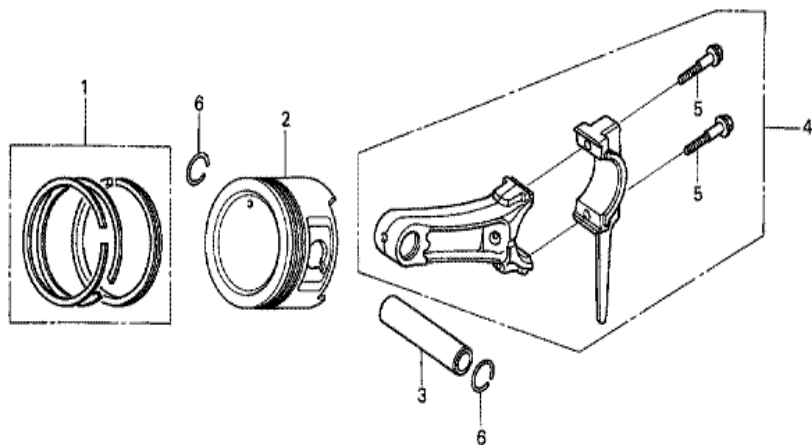
E-7 CRANKSHAFT



Ref	Partnumber	Description	GX160UT2	Serial Numbers
010	13310-Z4M-870	CRANKSHAFT COMP.	1	
016	91001-Z4X-003	BEARING, RADIAL BALL (6205) (NSK)	1	
016	91001-ZF1-003	BEARING, RADIAL BALL (6205TMB) (NTN)	1	
016	91001-ZF1-004	BEARING, RADIAL BALL (6205SH) (KOYO)	1	

GX160UT2(WKS)

E-8 PISTON



Z4M0-E0800

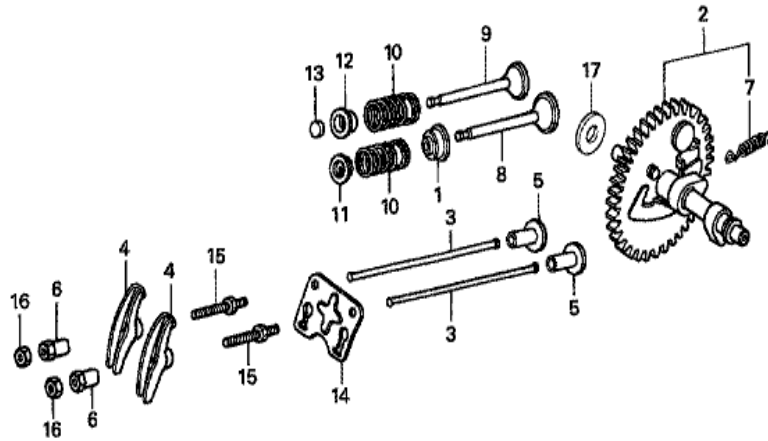


<u>Ref</u>	<u>Partnumber</u>	<u>Description</u>	<u>GX160UT2</u>	<u>Serial Numbers</u>
001	13010-Z4M-801	RING SET, PISTON (STD.) (RIKEN)	1	
001	13010-Z4M-802	RING SET, PISTON (STD.) (TPR)	1	
001	13011-Z4K-004	RING SET, PISTON (0.25) (TPR)	(1)	
001	13011-Z4M-003	RING SET, PISTON (0.25) (RIKEN)	(1)	
001	13012-Z4K-004	RING SET, PISTON (0.50) (TPR)	(1)	
001	13012-Z4M-003	RING SET, PISTON (0.50) (RIKEN)	(1)	
002	13101-Z4M-800	PISTON (STD.)	1	
002	13101-Z4M-800	PISTON (STD.)	1	
002	13102-Z4M-800	PISTON (0.25)	(1)	
002	13102-Z4M-800	PISTON (0.25)	(1)	
002	13103-Z4M-800	PISTON (0.50)	(1)	
002	13103-Z4M-800	PISTON (0.50)	(1)	
003	13111-Z4M-000	PIN, PISTON	1	
<u>Ref</u>	<u>Partnumber</u>	<u>Description</u>	<u>GX160UT2</u>	<u>Serial Numbers</u>
004	13200-Z4M-000	ROD ASSY., CONNECTING	1	
004	13200-Z4M-000	ROD ASSY., CONNECTING	1	

005	90001-Z4M-000	BOLT, CONNECTING ROD, 6X34.5	2
006	90551-ZE1-000	CLIP, PISTON PIN, 18MM	2

GX160UT2(WKS)

E-9 CAMSHAFT



Z4M0-EG900A



<u>Ref</u>	<u>Partnumber</u>	<u>Description</u>	<u>GX160UT2</u>	<u>Serial Numbers</u>
001	12209-Z4M-801	SEAL, VALVE STEM	1	
002	14100-Z4M-000	CAMSHAFT ASSY.	1	
003	14410-Z4M-000	ROD COMP., PUSH	2	
004	14431-ZE1-000	ARM, VALVE ROCKER	2	
005	14441-ZE1-010	LIFTER, VALVE	2	
006	14451-ZE1-013	PIVOT, ROCKER ARM	2	
006	14451-ZE1-013	PIVOT, ROCKER ARM	2	
007	14568-ZE1-000	SPRING, WEIGHT RETURN	1	
008	14711-Z4M-000	VALVE, IN.	1	
009	14721-Z4M-000	VALVE, EX.	1	
010	14751-ZF1-000	SPRING, VALVE	2	
011	14771-ZE1-000	RETAINER, IN. VALVE SPRING	1	
011	14771-ZE1-000	RETAINER, IN. VALVE SPRING	1	
<u>Ref</u>	<u>Partnumber</u>	<u>Description</u>	<u>GX160UT2</u>	<u>Serial Numbers</u>
012	14771-ZE1-000	RETAINER, IN. VALVE SPRING	1	
012	14771-ZE1-000	RETAINER, IN. VALVE SPRING	1	



014	14791-Z4M-000	PLATE, PUSH ROD GUIDE	1
015	90012-ZE0-010	BOLT, PIVOT, 8MM	2
016	90206-ZE1-000	NUT, PIVOT ADJUSTING	2