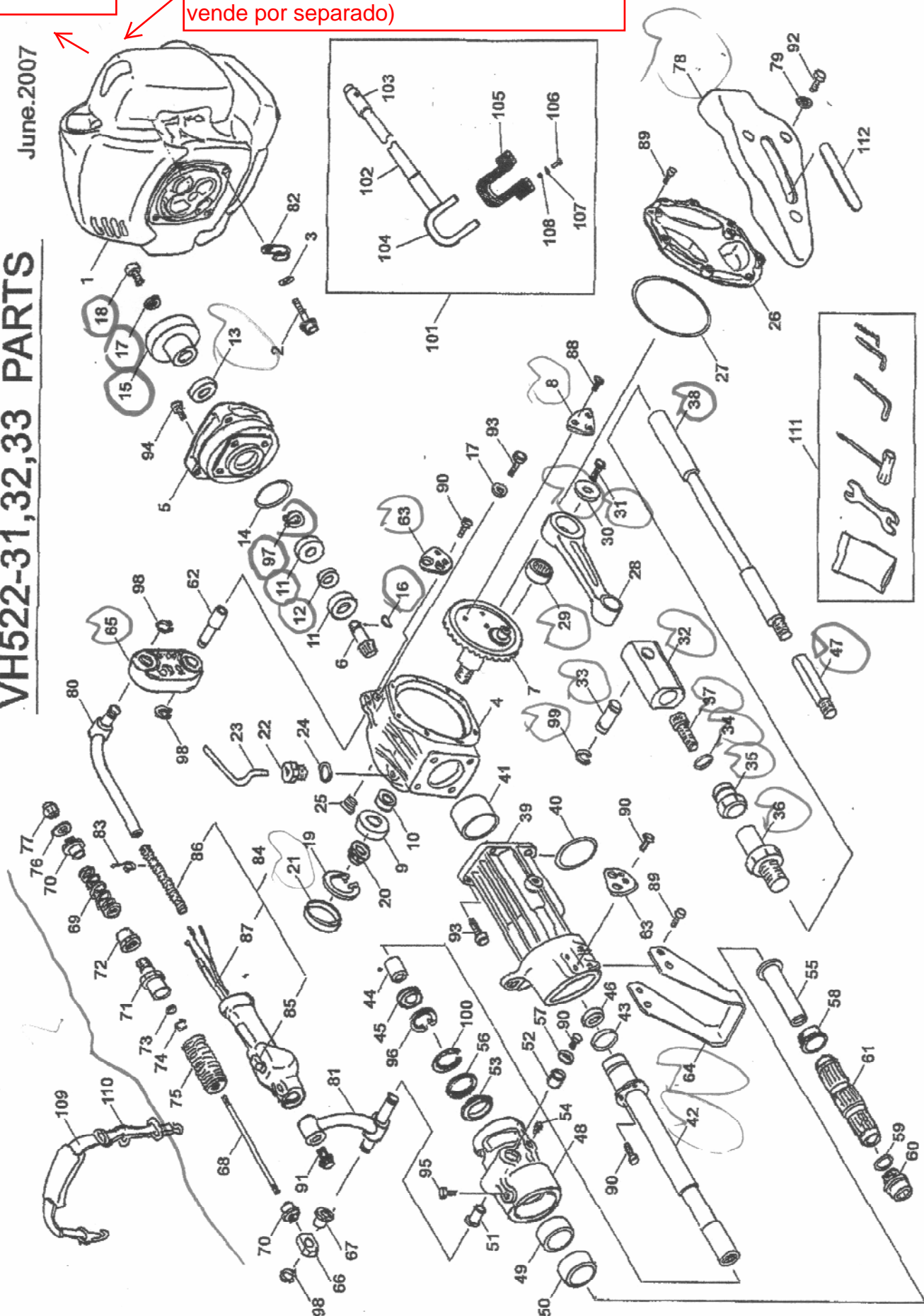


motor STAR55

TAPON MOTOR REF. 33459  
PISTON REF. 33644  
CIGUEÑAL+BIELA REF. 33645 (no se vende por separado)

# VH522-31,32,33 PARTS

June.2007



# PARTS LIST

MODEL:VH522-31,32,33

REF. No.	PARTS NO.		PARTS NAME	Q'TY		PRICE(¥)	1/3	Jun.2007
				INCLUDING			RECOMM.(%) Lot.100	REMARKS
1	124111		ENGINE VIP 52	1				
1	124241		ENGINE STAR 55P	1				
1	124300		ENGINE STAR 55P	1				
2	31062	172	PRE-COAT LOCK BOLT	4				
3	671U	0600	WASHER CONICAL	4				
4	51050	121	17	CRANK CASE	1			
5	51030	197	17	CLUTCH CASE	1			
6	78002	211		BEVEL PINION	1			
7	71310	104		BEVEL GEAR C.P	1			
8	11173	107		WEIGHT	1			
9	913B	6304		BEARING	2			
10	11083	390		COLLAR	1			
11	913B	6202		BEARING	2			
12	11083	358		COLLAR	1			
13	61002	163		OIL SEAL	1			
14	214B	5000		O-RING	1			
15	11014	224		CLUTCH DRAM C.P	1			
16	91020	159		KEY WOODRUFF	1			
17	68036	271		WASHER	1			
18	31062	167		PRE-COAT LOCK BOLT	1			
19	811V	5200		C-SNAP RING	1			
20	584L	1600		U-NUT	1			
21	91033	142		BLIND COVER	1			
22	91043	114		OIL CUP	1			
23	36082	126		TUBE	1			
24	211B	1500		O-RING	1			
25	91025	112		OIL-GAUGE	1			
26	36065	464	17	COVER	1			
27	214B	1250		O-RING	1			
28	51052	118		CONROD	1			
29	965B	182012		BEARING	1			
30	68036	300		WASHER	1			
31	31062	162		PRE-COAT LOCK BOLT	1			
32	91049	138		CONNECTOR	1			
33	31034	193		PIN-CONNECTOR	1			
34	31057	275		BOLT M12X40-P1.5	1			
35	31058	177		NUT	1			
36	51107	103		LOCK NUT	1			
37	220B	2022		O-RING	1			
38	11041	123		PLUNGER	1			
39	11122	122	17	FLANGE	1			
40	214B	6300		O-RING	1			
41	76007	199		BUSH	2			
42	11092	124		GUIDE C.P	1			
43	214B	3400		O-RING	1			
44	76007	200		BUSH	1			
45	36072	108		U-PACKING	1			
46	61002	157		OIL SEAL	1			
47	68055	153		JOINT	1			
48	11102	230	17	HOLDER	1			
49	76007	201		BUSH	1			
50	76007	202		BUSH	1			
51	76007	203		BUSH	1			

# PARTS LIST

MODEL:VH522-31,32,33

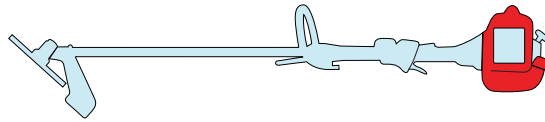
REF. No.	PARTS NO.		PARTS NAME	Q'TY			PRICE(¥)	2/3	Jun.2007
				INCLUDING				RECOMM.(%) Lot.100	REMARKS
52	76007	204	BUSH	1					
53	61002	203	OIL SEAL	2					
54	91031	102	NIPPLE-GREASE	2					
55	61023	198	SLEEVE	1					
56	68036	301	WASHER	3					
57	68036	259	WASHER	1					
58	11086	199	STOPPER	1					
59	214B	3200	O-RING	1					
60	51088	105	SLIDE METAL	1					
61	91038	124	GRIP	1					
62	31034	194	PIN-BRACKET	1					
63	51022	174	BRACKET	2					
64	11024	151 09	STAND	1					
65	51022	183	BRACKET	1					
66	31058	178	NUT	1					
67	76007	205	BUSH	1					
68	31039	142	STUD BOLT	1					
69	68013	396	SPRING	2					
70	31058	179	NUT	2					
71	11102	231	HOLDER	1					
72	31058	180	NUT	1					
73	36121	105	BACKUP RING	2					
74	91073	105	SNAP RING	1					
75	36064	108	BELLOW-RUBBER	2					
76	68036	274	WASHER	1					
77	563L	0800	U-CAP NUT	1					
78	51090	134	PROTECTOR	1					
79	68036	251	WASHER	3					
80	71112	116 09	HANDLE C.P	1					
81	71203	140 09	ARM C.P	1					
82	11011	121	CLAMP	1					
83	68028	103	WIRE BAND	2					
84	71056	247	THROTTLE LEVER A/C	1					
85	71148	158	STOP SWITCH A/C	1					
86	41003	194	TUBE	1					
87	91001	320	THROTTLE LEVER WIRE	1					
88	31062	180	PRE-COAT LOCK BOLT	3					
89	31062	155	PRE-COAT LOCK BOLT	12					
90	31062	157	PRE-COAT LOCK BOLT	9					
91	31062	161	PRE-COAT LOCK BOLT	1					
92	31062	163	PRE-COAT LOCK BOLT	3					
93	31062	167	PRE-COAT LOCK BOLT	5					
94	31062	162	PRE-COAT LOCK BOLT	4					
95	31062	179	PRE-COAT LOCK BOLT	2					
96	811V	3000	C-SNAP RING	1					
97	812V	1500	C-SNAP RING	1					
98	812V	1400	C-SNAP RING	2					
99	812V	1200	C-SNAP RING	3					
100	813V	4200	C-SNAP RING	1					
101	71311	106	ROD C.P	1					
102	98003	142	MAIN PIPE	1					
103	98012	249	JOINT	1					
104	51044	149	HOOK	1					





# STAR

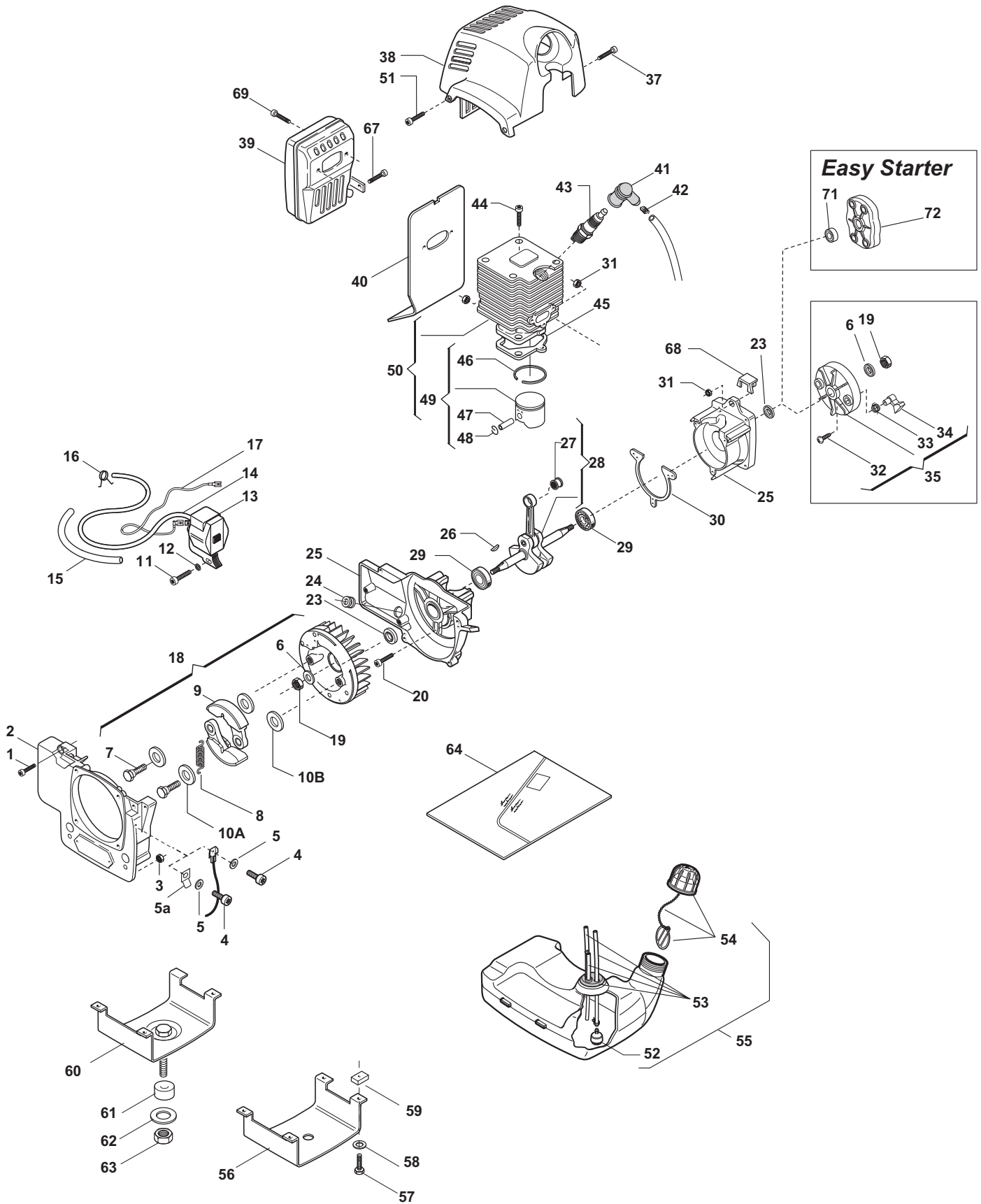
45P 45DP 45FP 55P 55DP 55FP



2007

261.0

1 / 4



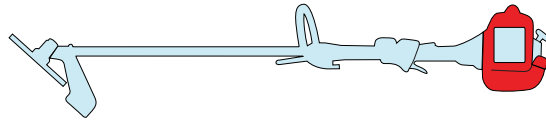


N.	CODE	Q.TY	DESCRIZIONE	DESCRIPTION	DESCRIPTION	BESCHREIBUNG	REMARKS
1	23878016/0	4	VITE	SCREW	VIS	SCHRAUBE	
2	4540940	1	CARTER SUPP. TRASMISSIONE	TRANSM.SUPPORT CASE	CARTER SUPP. TRANSM.	GEHÄUSE GETRIEBE-PLATTFORM	
3	2461030	4	DADO	NUT	ECROU	MUTTER	
4	2132500	1	VITE	SCREW	VIS	SCHRAUBE	
5	2312120	1	RONDELLA	WASHER	RONDELLE	UNTERLEGSCHIEBE	
5a	3211420	1	FASTON (FLEX)	FASTON (FLEX)	FASTON (FLEX)	ERDUNGSSTECKER (FLEX)	
6	2350040	2	ROSETTA	WASHER	RONDELLE	SCHEIBE	
7	2653213	2	VITE	SCREW	VIS	SCHRAUBE	
8	3654040	1	MOLLA FRIZIONE MOD. ASS.PISTONE Ø 42	SPRING MOD.PISTON ASS.Y Ø 42	RESSORT X MOD.ENS. PISTON Ø 42	KUPPLUNGSFEDER X MOD. KOLBENSET Ø 42	
8	3654220	1	MOLLA FRIZIONE MOD. ASS.PISTONE Ø 45	SPRING MOD.PISTON ASS.Y Ø 45	RESSORT X MOD.ENS. PISTON Ø 45	KUPPLUNGSFEDER X MOD. KOLBENSET Ø 45	
9	3660430/1	2	MASSA FRIZIONE MOD. ASS.PISTONE Ø 42	CLUTCH UNIT MOD. PISTON ASS.Y Ø 42	EMBAYAGE X MOD.ENS. PISTON Ø 42	REIBUNGSMASSE X MOD. KOLBENSET Ø 42	
9	3660500/1	2	MASSA FRIZIONE MOD. ASS.PISTONE Ø 45	CLUTCH UNIT MOD. PISTON ASS.Y Ø 45	EMBAYAGE X MOD.ENS. PISTON Ø 45	REIBUNGSMASSE X MOD. KOLBENSET Ø 45	
10a	23652501/0	2	ROSETTA	WASHER	RONDELLE	SCHEIBE	
10b	2321230	2	ROSETTA	WASHER	RONDELLE	SCHEIBE	
11	2135060	2	VITE	SCREW	VIS	SCHRAUBE	
12	2321150	2	ROSETTA	WASHER	RONDELLE	SCHEIBE	
13	23044001/0	1	BOBINA ELETTRONICA	ELECTRONIC COIL	BOBINE ÉLECTRONIQUE	ELEKTRONIKSPULE	
14	3211080	1	FILO BOBINA	SPARK PLUG CABLE	FIL BOBINE	DRAHT ZÜNDKERZE	
15	3782040	1	GUAINA CAVO CANDELA	WIRE JAKET	GAINE CÂBLE	KABELMANTEL GASHEBEL	
16	3657450	1	FASCETTA CAVO CANDELA	CLAMP	COLLIER	ZÜNDKERZENKABEL	
17	3211415	1	CAVO MASSA	EARTH CABLE	CÂBLE MASSE	ERDUNGSKABEL	
18	8252500/1	1	ASS.VOLANO-MASSE MOD. PIST. Ø 42 (INCL.7-10)	FLYWHEEL ASS.Y X MOD. PISTON Ø 42 (INCL.7-10)	ENS.VOLANT X MOD.ENS. PISTON Ø 42 (INCL.7-10)	SET SCHWUNGRAD MAGNET X MOD. KOLBENSET Ø 42 (INCL.7-10)	
18	8252510/1	1	ASS.VOLANO-MASSE MOD. PIST. Ø 45 (INCL.7-10)	FLYWHEEL ASS.Y X MOD. PISTON Ø 45 (INCL.7-10)	ENS.VOLANT X MOD.ENS. PISTON Ø 45 (INCL.7-10)	SET SCHWUNGRAD MAGNET X MOD. KOLBENSET Ø 45 (INCL.7-10)	
19	2412100	2	DADO	NUT	ECROU	MUTTER	
20	2135130	4	VITE	SCREW	VIS	SCHRAUBE	
23	3121120	2	ANELLO DI TENUTA	SEAL RING	ANNEAU DE TENUE	DICHTRING	
24	3745130	1	GOMMINO PASSACAVALO	GROMMET	RONDELLE CAOUT-CHOU	LIPPKLAMPE	
25	8540930	1	COPPIA CARTER MOTORE	CRANKASE ASS.Y	ENS. CARTER MOTEUR	PAAR MOTORABDECKUNG	
26	3151050	1	LINGUETTA VOLANO	FLYWHEEL KEY	CLAVETTE VOLANT	LASCHE SCHWUNGRAD	
27	3114190	1	GABBIA A RULLI	NEEDLE BEARING	ROUL. À AIGUILLES	WALZENKÄFIG	
28	8251440	1	ASS.ALBERO MOTORE (INCL.27)	CRANCKSHAFT ASS.Y (INCL.27)	ENS.ARBRE MOTEUR (INCL.27)	SET MOTORWELLE (INCL.27)	
29	3112040	2	CUSCINETTO	BEARING	ROUL. À BILLES	KUGELLAGER	
30	3724120	1	GUARNIZIONE CARTERS	GASKET	JOINT	DICHTUNG ABDECKUNG	
31	2432040	5	DADO	NUT	ECROU	MUTTER	
32	2123100	2	VITE	SCREW	VIS	SCHRAUBE	
33	3654050	2	MOLLA AGGANCIAMENTO	SPRING	RESSORT	FEDER SPERRUNG	
34	3749570	2	AGGANCIAMENTO AVVIAMENTO	STARTER HOOK	FIXATION DÉMARREUR	SPERRE STARTER	
35	8540950	1	ASS.COPPA AVVIAMENTO (INCL.32-34)	STARTER CUP ASS.Y (INCL.32-34)	ENS.COUBE DÉMARREUR (INCL.32-34)	SCHWUNGRAD MAGNET (INCL.32-34)	
37	2135030	3	VITE	SCREW	VIS	SCHRAUBE	
38	4563880	1	CUFFIA COPRICILINDRO GIALLA	YELLOW CYLINDER COVER	COUVERCLE CYLINDRE JAUNE	MOTORABDECKUNG GELB	
38	4563883	1	CUFFIA COPRICILINDRO ROSSO	RED CYLINDER COVER	COUVERCLE CYLINDRE ROUGE	MOTORABDECKUNG ROT	
39	4122170/1	1	SILENZIATORE	MUFFLER	SILENCIEUX	SCHALLDÄMPFER	
40	3724380	1	GUARNIZIONE SILENZIATORE	GASKET	JOINT SILENCIEUX	DICHTUNG SCHALLDÄMPFER	
41	3744850	1	CAPPUCCIO CANDELA	SPARK PLUG COVER	CAPUCHON BOUGIE	ZÜNDKERZENKAPPE	
42	3657530	1	TERMINALE FILO CANDELA	SPARK PLUG SPRING	BORNE FIL BOUGIE	DRAHTENDE ZÜNDKERZE	
43	3210024	1	CANDELA	SPARK PLUG	BOUGIE	ZÜNDKERZE	
44	2135060	4	VITE	SCREW	VIS	SCHRAUBE	
45	3724130	1	GUARNIZIONE CILINDRO	CYLINDER GASKET	JOINT CYLINDRE	ZYLINDERDICHTUNG	
46	3123200	1	FASCIA ELASTICA Ø 42	PISTON RING Ø 42	COLLIER ÉLASTIQUE Ø 42	KOLBENRING Ø 42	Star 45
46	3123110	1	FASCIA ELASTICA Ø 45	PISTON RING Ø 45	COLLIER ÉLASTIQUE Ø 45	KOLBENRING Ø 45	Star 55
47	3158010	1	SPINOTTO PISTONE Ø 42	PISTON PIN Ø 42	POINTEAU PISTONX ENS. PISTON Ø 42	KOLBENBOLZEN X MOD. KOLBENSET Ø 42	Star 45
47	3158080	1	SPINOTTO PISTONE Ø 45	PISTON PIN Ø 45	POINTEAU PISTONX ENS. PISTON Ø 45	KOLBENBOLZEN X MOD. KOLBENSET Ø 45	Star 55
48	3356020	2	FERMO SPINOTTO	CIRCLIP	CIRCLIP	SPERRE BOLZEN	
49	8540860	1	ASS.PISTONE Ø 42 (INCL.46-48)	PISTON ASS.Y Ø 42 (INCL.46-48)	ENS.PISTON Ø 42 (INCL.46-48)	KOLBENSET Ø 42 (INCL.46-48)	Star 45
49	8540960	1	ASS.PISTONE Ø 45 (INCL.46-48)	PISTON ASS.Y Ø 45 (INCL.46-48)	ENS.PISTON Ø 45 (INCL.46-48)	KOLBENSET Ø 45 (INCL.46-48)	Star 55
50	8540890	1	ASS.CIL-PIST Ø 42 (INCL.49)	CYL-PIST Ø 42 (INCL.49)	CYL.-PIST. Ø 42 (INCL.49)	SET KOLBEN-ZYL. Ø 42 (INCL.49)	Star 45
50	8540970/2	1	ASS.CIL-PIST Ø 45 (INCL.49)	CYL-PIST Ø 45 (INCL.49)	CYL.-PIST. Ø 45 (INCL.49)	SET KOLBEN-ZYL. Ø 45 (INCL.49)	Star 55
51	2135040	2	VITE	SCREW	VIS	SCHRAUBE	



# STAR

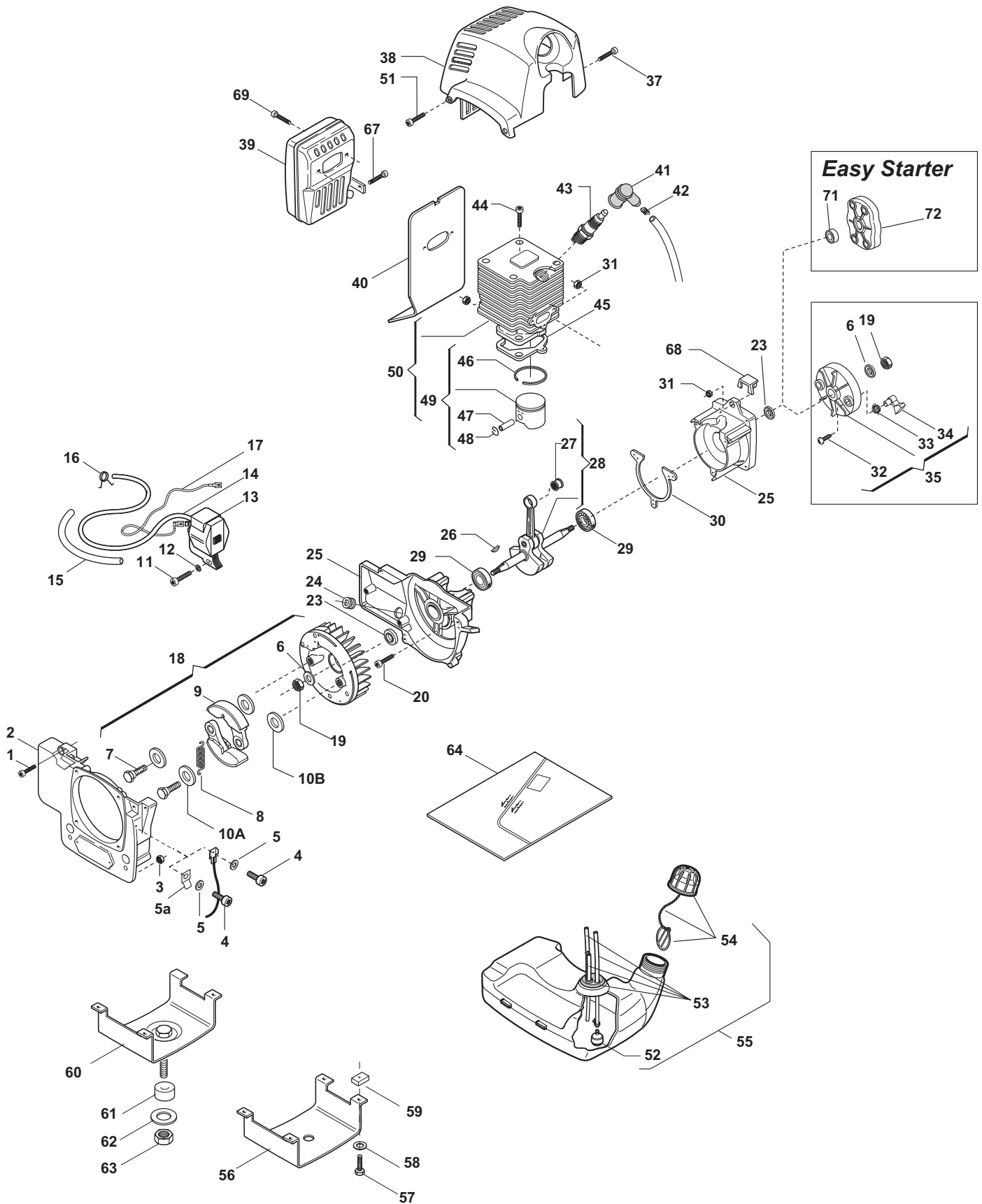
45P 45DP 45FP 55P 55DP 55FP



2007

261.0

3 / 4





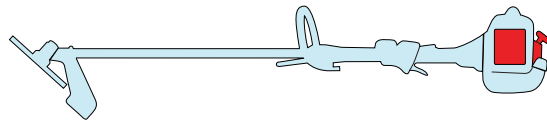
N.	CODE	Q.TY	DESCRIZIONE	DESCRIPTION	DESCRIPTION	BESCHREIBUNG	REMARKS
52	4253290	1	PESCANTE MISCELA	INTAKE FILTER	FILTRE D'ASPIRATION	TAUCHSONDE	
53	8745542	1	ASS.GOMMINO PASSA-TUBI	GROMMET ASS.Y	ENS.RONDELLE CAOUT-CHOUC	SET GUMMIRINGE	
54	8741370	1	ASS.TAPPO MISCELA	FUEL CAP ASS.Y	ENS.BOUCHON MÉLANGE	DECKEL TREIBSTOFF-TANK	
55	4252620/1	1	ASS.SERBATOIO MIX (INCL.52-54)	FUEL TANK ASS.Y (INCL.52-54)	ENS.RÉSERVOIR MÉ-LANGE (INCL.52-54)	TREIBSTOFFTANK (INKL.52-54)	
56	4612237	1	FLANGIA SUPPORTO MOTORE	FLANGE	BRIDE MOTEUR	FLANSCH	
57	2135030	4	VITE	SCREW	VIS	SCHRAUBE	
57	2135040	4	VITE	SCREW	VIS	SCHRAUBE	
58	2321150	4	RONDELLA	WASHER	RONDELLE	UNTERLEGSCHIBE	
59	2461030	4	DADO	NUT	ECROU	MUTTER	
60	4121957	1	FLANGIA SUPP.MOTORE (FLEX)	FLANGE (FLEX)	BRIDE MOTEUR (FLEX)	FLANSCH (FLEX)	
61	2382230	1	DISTANZIALE (FLEX)	SPACER (FLEX)	ENTRETOISE (FLEX)	THERMOISOLIERUNG (FLEX)	
62	2330060	1	ROSETTA	WASHER	RONDELLE	SCHEIBE	
63	2412180	1	DADO (FLEX)	NUT (FLEX)	ECROU (FLEX)	MUTTERSCHRAUBE (FLEX)	
64	8724380/1	1	SERIE GUARNIZIONI (INCL. 30-40-45)	GASKET SET (INCL. 30-40-45)	SÉRIE JOINTS (INCL. 30-40-45)	SET DICHTUNGEN (INKL.30-40-45)	
67	2135180	1	VITE	SCREW	VIS	SCHRAUBE	
68	3750537	1	DISTANZIALE CUFFIA	YELLOW SPACER	ENTRETOISE JAUNE	DISTANZSTÜCK GELB	
69	2135040	6	VITE	SCREW	VIS	SCHRAUBE	
71	23160051/0	1	DISTANZIALE	SPACER	ENTRETOISE	ENTFERNUNGSSTÜCK	EASY STARTER
72	83082000/0	1	COPPA AVVIAMENTO	STARTER CUP	COUPE DÉMARREUR	STARTERGEHÄUSE	EASY STARTER





**STAR**

**45P 45DP 45FP 55P 55DP 55FP**

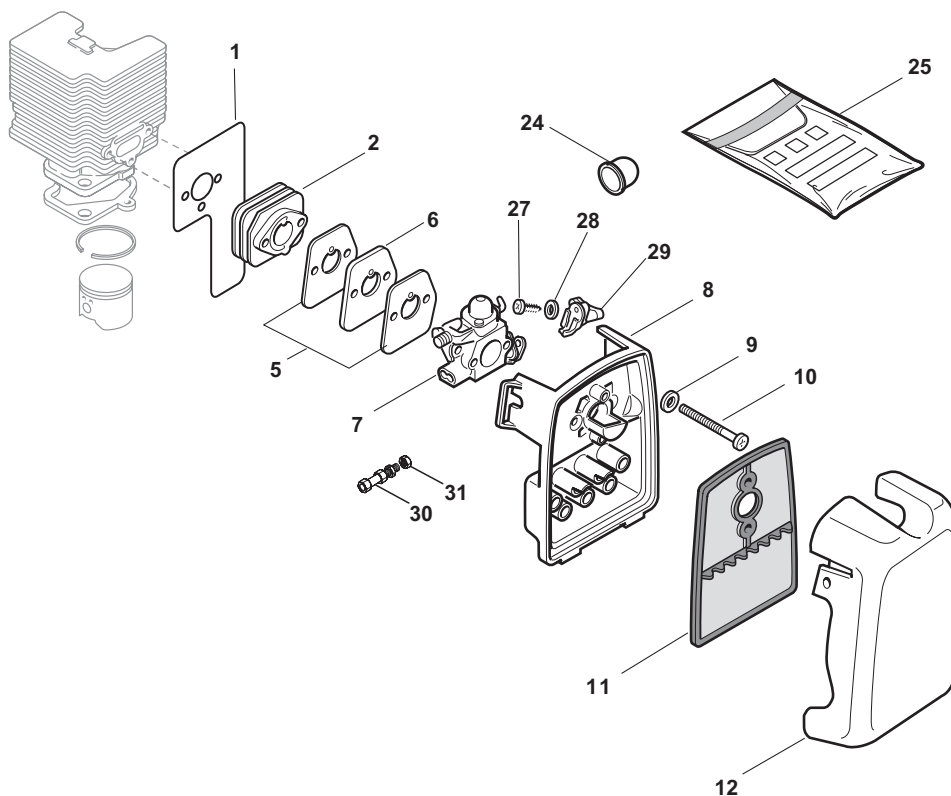
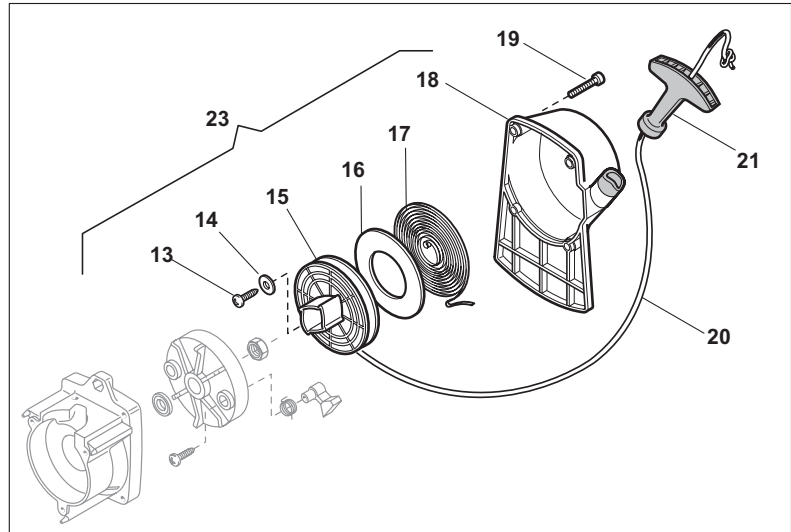
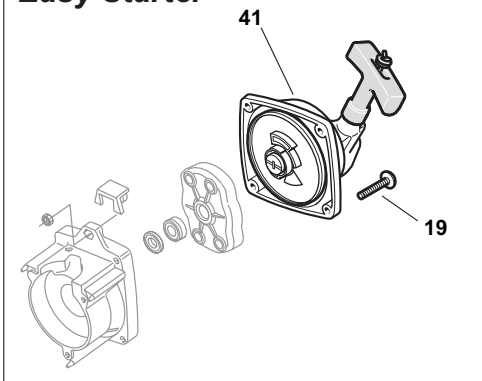


2007

**262.0**

1 / 2

**Easy Starter**





N.	CODE	Q.TY	DESCRIZIONE	DESCRIPTION	DESCRIPTION	BESCHREIBUNG	REMARKS
1	3724390/2	1	GUARNIZ.COLLETT-CI-LINDRO	INTAKE-MANIF.GASKET	JOINT COLLECT.-CYLINDRE	DICHT. KOLLEKT.-ZYLINDER	
2	3749740/1	1	COLLETTORE ASPIRAZIONE	INTAKE MANIFOLD	COLLECTEUR ASPIRATION	KOLLEKTOR ANSAUGUNG	
5	3724160	2	GUARNIZ.CARBURAT.-COLLETT.	GASKET	JOINT	DICHT. VERG.-KOLLEKT.	
6	3785050/1	1	DISTANZIALE TERMICO	HEAT BLOCK	BLOCAGE THERMIQUE	THERMOISOLIERUNG	
7	23054014/1	1	CARBURATORE	CARBURETTOR	CARBURATEUR	VERGASER	Walbro WT 761A
8	23781004/0	1	SUPPORTO FILTRO ARIA GRIGIO	AIR FILTER HOLDER	SUPP. FILTRE À AIR	HALTER LUFTFILTER	
9	2312090	2	ROSETTA	WASHER	RONDELLE	SCHEIBE	
10	2135230	2	VITE	SCREW	VIS	SCHRAUBE	
11	3781640	1	FILTRO ARIA	AIR FILTER	FILTRE À AIR	LUFTFILTER	
12	23090008/0	1	COPRIFILTRO ARIA GIALLO	YELLOW FILTER COVER	COUVRE-FILTRE À AIR JAUNE	FILTERABD. GELB	
12	23090009/0	1	COPRIFILTRO ARIA ROSSO	RED FILTER COVER	COUVRE-FILTRE À AIR ROUGE	FILTERABD. ROT	
13	2123100	1	VITE	SCREW	VIS	SCHRAUBE	
14	3613420	1	ROSETTA	WASHER	RONDELLE	SCHEIBE	
15	4562440	1	PULEGGIA AVVIAMENTO	STARTER PULLEY	POULIE DÉMARRAGE	RIEMENSCHLEIBE STARTER	
16	3724200	1	DISCO PER MOLLA AVV. TO	DISC	DISQUE	SCHEIBE F. FEDER	
17	4611480	1	MOLLA AVVIAMENTO	SPRING	RESSORT	FEDER STARTER	
18	8563890/1	1	CARTER AVVIAMENTO	STARTER RECOIL CASE	CARTER DÉMARREUR	STARTERGEHÄUSE	
19	2135040	4	VITE	SCREW	VIS	SCHRAUBE	
20	3784010	1	FUNE AVVIAMENTO	STARTER CORD	CÂBLE DÉMARRAGE	SEIL STARTER	
21	3750067	1	IMPUGNATURA AVVIAMENTO	STARTER HANDLE	POIGNÉE DÉMARRAGE	GRIF STARTER	
23	4252700/1	1	ASS.AVVIATORE (INCL.13-21)	STARTER ASS.Y (INCL.13-21)	ENS. DÉMARREUR (INCL.13-21)	STARTEREINHEIT (INKL.13-21)	
24	3744870	1	PRIMER	PRIMER	PRIMER	PRIMER	
25	4353150	1	KIT MEMB-GUARNIZ	GASKET-DIAPH. SET	KIT MEMBR.-JOINT	SET MEMB.-DICHT.	
29	23315056/0	1	LEVA ARIA	CHOKE LEVER	LEVIER AIR	CHOKERHEBEL	
27	2123090	1	VITE	SCREW	VIS	SCHRAUBE	
28	2312180	1	ROSETTA	WASHER	RONDELLE	SCHEIBE	
30	3630600/1	1	REGISTRO CAVO ACCLE-RATORE	THROTTLE CABLE ADJUSTER	REGISTRE	REGLER	
31	2412090	1	DADO	NUT	ECROU	MUTTER	
41	83037000/0	1	ASS.AVVIATORE	STARTER ASS.Y	ENS. DÉMARREUR	STARTEREINHEIT	EASY STARTER

