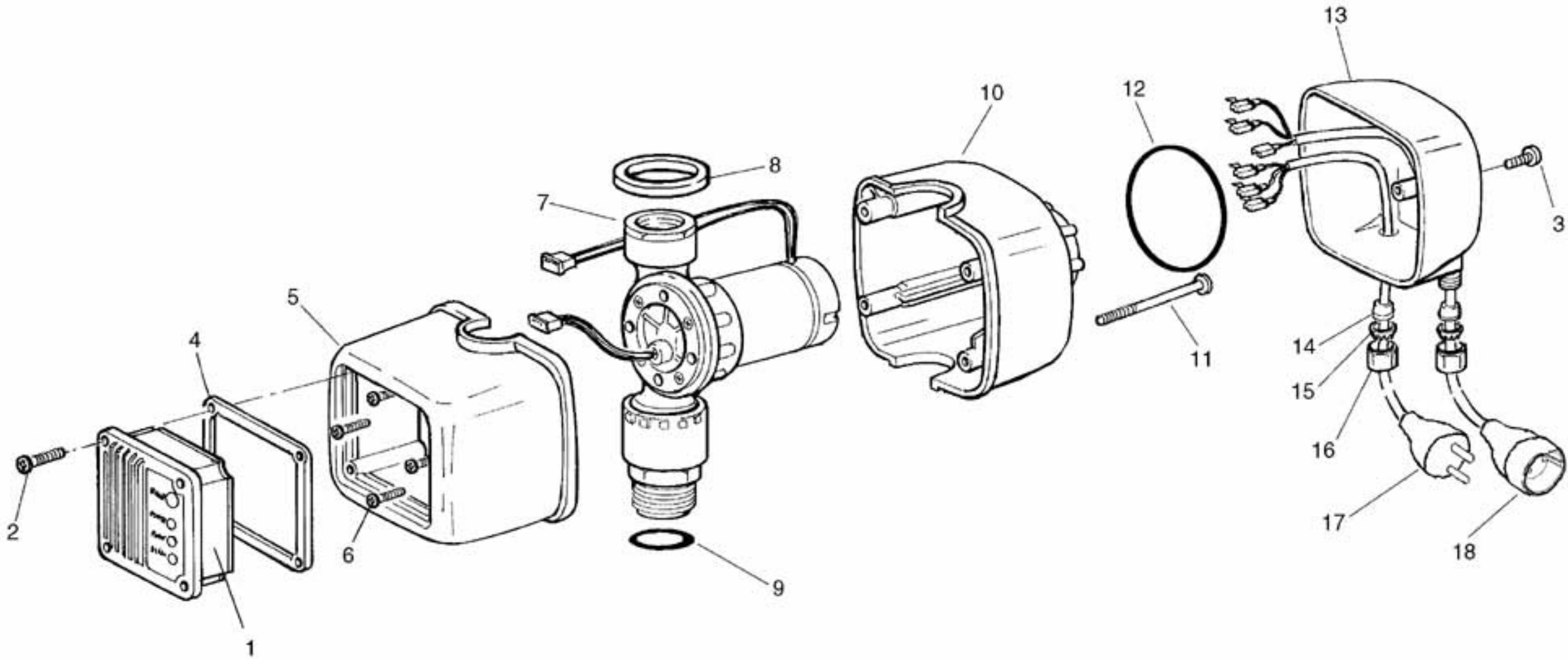


HYDROTRONIC



HYDROTRONIC

Model	Ref.	Art. Leader	Descrizione	Description
HYDROTRONIC *SN LP010025	1	S3380110	Scheda elettronica	Electronic card
HYDROTRONIC *SN LP010025	2	P1100073	Vite	Screw
HYDROTRONIC *SN LP010025	3	P1100006	Vite	Screw
HYDROTRONIC *SN LP010025	4	S3500201	Gasket	Gasket
HYDROTRONIC *SN LP010025	5	S3500337	Semicupolino anteriore grigio	Cap
HYDROTRONIC *SN LP010025	6	P1100049	Vite	Screw
HYDROTRONIC *SN LP010025	7	S3600308	Dispositivo stabil con valvola scheda nuova	Device with valve
HYDROTRONIC *SN LP010025	8	P1240019	Guarnizione superiore	Joint
HYDROTRONIC *SN LP010025	9	P1200040	Guarnizione O.Ring	Joint O.Ring
HYDROTRONIC *SN LP010025	10	S3500338	Cupolino posteriore portabasetta grigio	Cap
HYDROTRONIC *SN LP010025	11	P1100030	Vite	Screw
HYDROTRONIC *SN LP010025	12	P1200032	Guarnizione O.Ring	Joint O.Ring
HYDROTRONIC *SN LP010025	13	S3500339	Cupolino posteriore portacavi grigio	Cap
HYDROTRONIC *SN LP010025	14	P1230001	Gommino d9	Joint d9
HYDROTRONIC *SN LP010025	15	P1510024	Gabbietta bloccacavo	Cable fastener
HYDROTRONIC *SN LP010025	16	P1510009	Dado	Nut
HYDROTRONIC *SN LP010025	17	P1330049	Cavo di alimentazione	Cable
HYDROTRONIC *SN LP010025	18	P1330050	Cavo collegamento	Connection cable