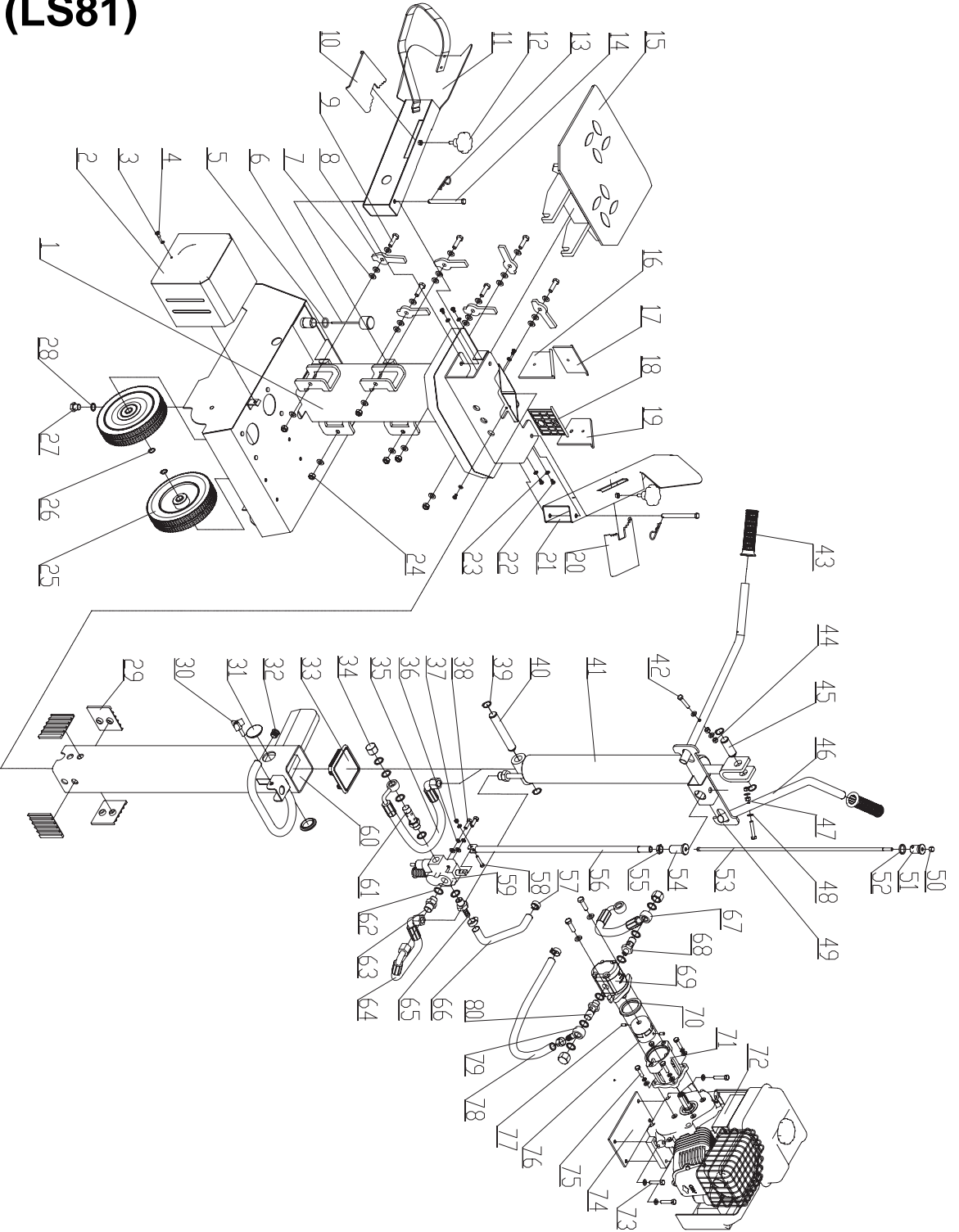


HLV8T1040G (LS81)



PARTS SCHEMATIC (Engine type: B&S Engine)

Exploded Diagram

S.N.	Description	QTY
1	Upright Tube Weldment B&S	1
2	Pump Guard	1
3	Spring Washer 6	1
4	Screw M6x12	1
5	O-Ring 23.6x3.55G	1
6	Cap	1
7	Washer 10	26
8	Lock-out Lever	6
9	Bolt M10x35	8
10	Clamping Fork (Right)	1
11	Right Guard Assy.	1
12	Knob M8x20	2
13	Fork	2
14	Control Lever Shaft	2
15	Work Table 2	1
16	Plastic Insert 4	1
17	Plastic Insert 2	1
18	Plastic Insert 1	1
19	Plastic Insert 3	1
20	Clamping Fork1 (Left)	1
21	Left Guard Assy.	1
22	Screw M6x10	6
23	Washer 6	6
24	Locknut M10	6
25	Wheel A	2
26	Circlip 16	2
27	Bolt M16x15	1
28	Washer Groupware 16	1
29	Sliding Plate	4
30	Knob	1
31	Wedge Bracket Round Cover	2
32	Round Cover	1
33	Square Cover	1
34	Nut M20	3
35	High Pressure Oil Hose 24	1
36	Spring Washer 8	6
37	Locknut M6	1
38	Bolt M8x25	2
39	Circlip 22	4
40	Lock Shaft	1

S.N.	Description	QTY
41	CCQ Cylinder	1
42	Hex Bolt	2
43	Lever Handle	2
44	Locknut M8	2
45	Pin D	1
46	Operate Handle	2
47	Thin Nut	6
48	Washer 8	14
49	Control Link Plate	1
50	Nut	1
51	Draw Rod Lock Cover	1
52	Supporting Ring	0
53	Draw Rod	1
54	Draw Sleeve Nut	1
55	Thin Nut M16	1
56	Draw Sleeve	1
57	Hose Clamp 22-28	4
58	Bolt M6x30	1
59	CA Valve	1
60	Wedge Bracket Weldment B	1
61	T-Connector,Tape	1
62	Washer Groupware 20	12
63	Valve Tube Nozzle	1
64	High Pressure Oil Hose 24	1
65	Valve Injection Nozzle	1
66	Oil Return Pipe	1
67	High Pressure Oil Hose	1
68	Nozzle 9/16-18-UNF-2BXM20X1.5	1
69	Gear Pump	1
70	Orientation Ring	1
71	Joining	1
72	Engine(B&S)	1
73	Bolt M8x35	4
74	Rubber Washer (UR)	1
75	Bolt M8x30	4
76	Same Rev Joint CL090 12.7-20	1
77	Orientation Screw	2
78	Intake Hose	1
79	Tie-in 20	1
80	Nozzle 3/4-16-UNF-2BXM20X1.5	1

Para saber que código es el nuestro hay que :

(LSxx)+Fig+S.N.

ejemplo:
LS81FIG1

130G00

Illustrated Parts List Model Series 130G00

TYPE NUMBERS
0001 through 0062.

TABLE OF CONTENTS

Air Cleaner	6
Alternator	7
Armature	7
Blower Housing	6
Camshaft	2
Carburetor	5
Controls	7
Crankcase Cover	2
Crankshaft	2
Cylinder	2
Cylinder Head	3
Electrical System	7
Exhaust System	4
Flywheel	6
Fuel Supply	4
Gasket Set	3
Governor Spring	7
Ignition	7
Operator's Manual	2
Piston/Rings/Connecting Rod	2
Rewind Starter	6
Spark Plug	7
Warning Label	2



PRINTED IN U.S.A.

COPYRIGHT by BRIGGS & STRATTON CORPORATION
All rights reserved. No part of this material may be reproduced or transmitted,
in any form or by any means, electronic or mechanical, including photocopying,
recording or by any information storage and retrieval system, without permission
in writing from Briggs & Stratton Corporation.

130G00

1319 WARNING LABEL



REQUIRED when replacing parts with warning labels affixed.

1319A WARNING LABEL

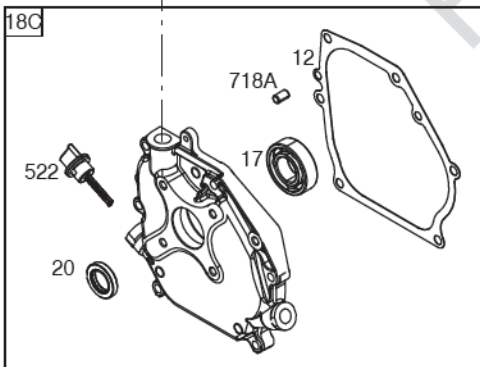
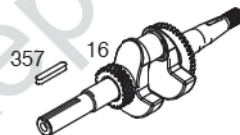
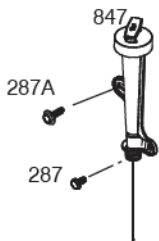
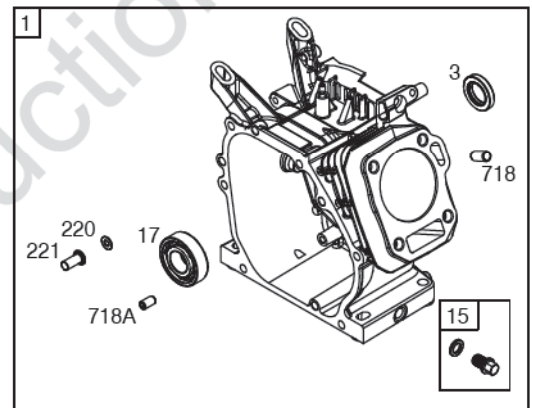
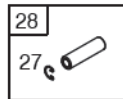
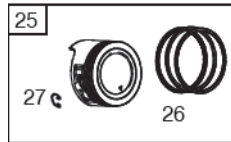
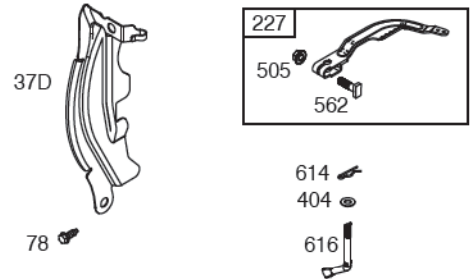


REQUIRED when replacing parts with warning labels affixed.

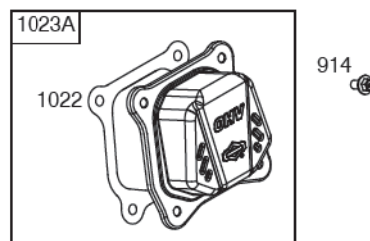
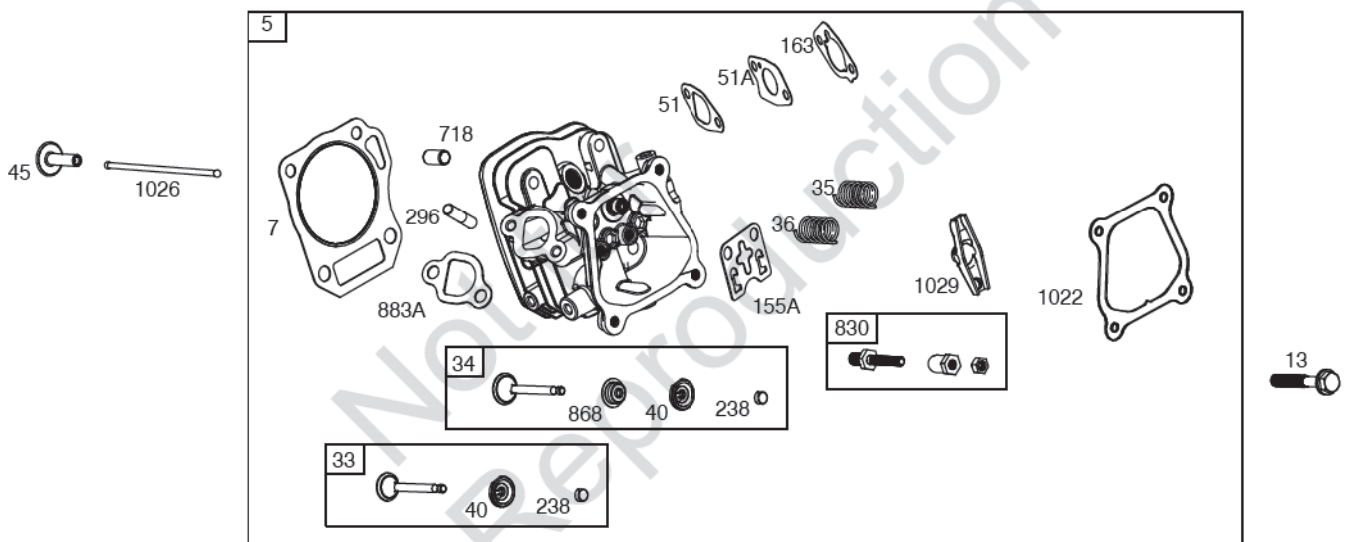
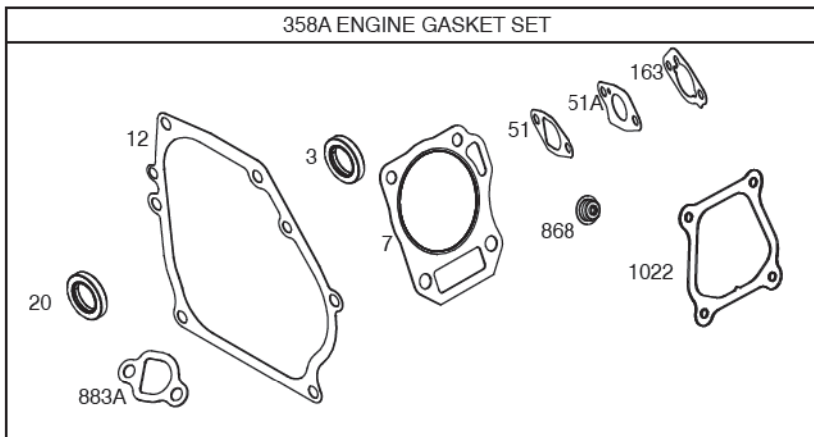
1058 OPERATOR'S MANUAL



1036 EMISSIONS LABEL

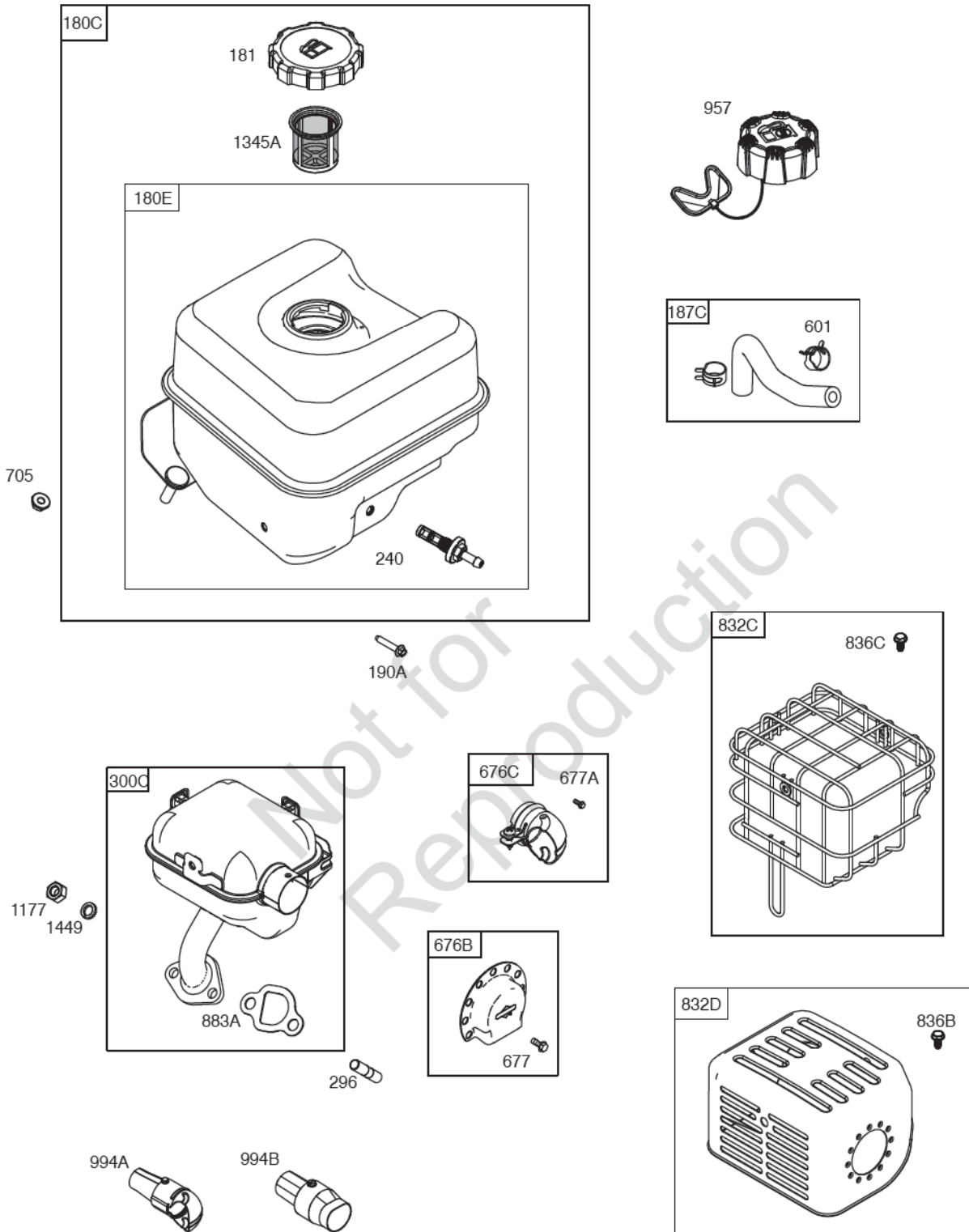


Illustrations cover a range of engines. Parts shown without text may not be used on your specific engine.

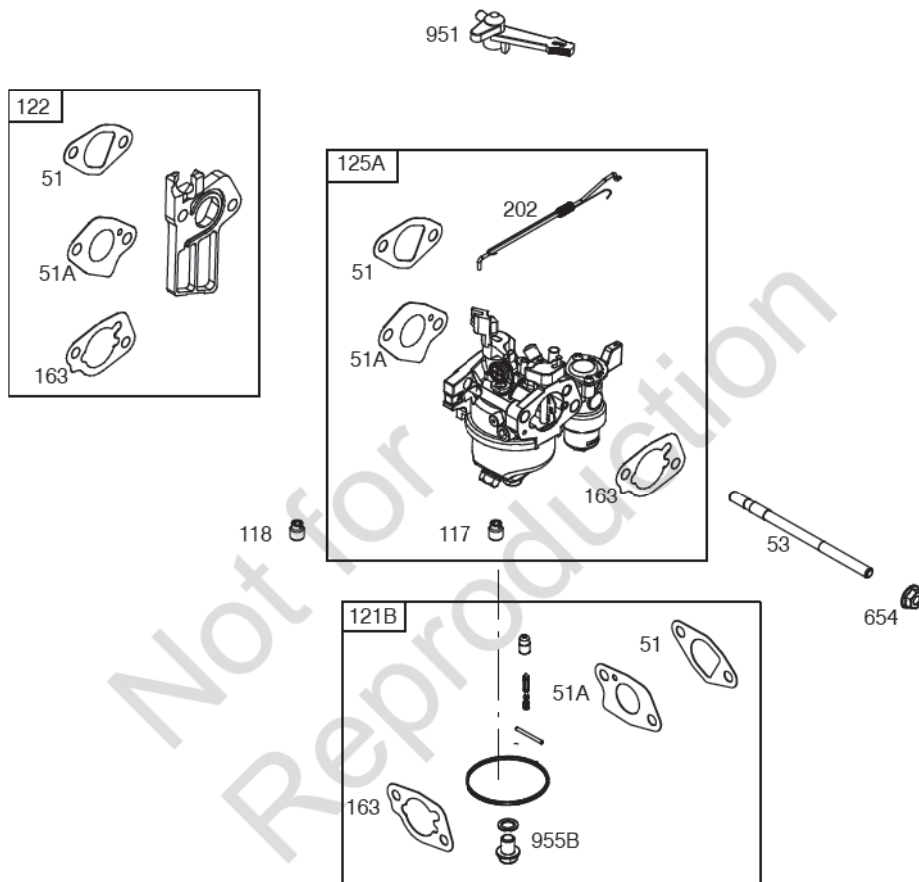


Illustrations cover a range of engines. Parts shown without text may not be used on your specific engine.

130G00

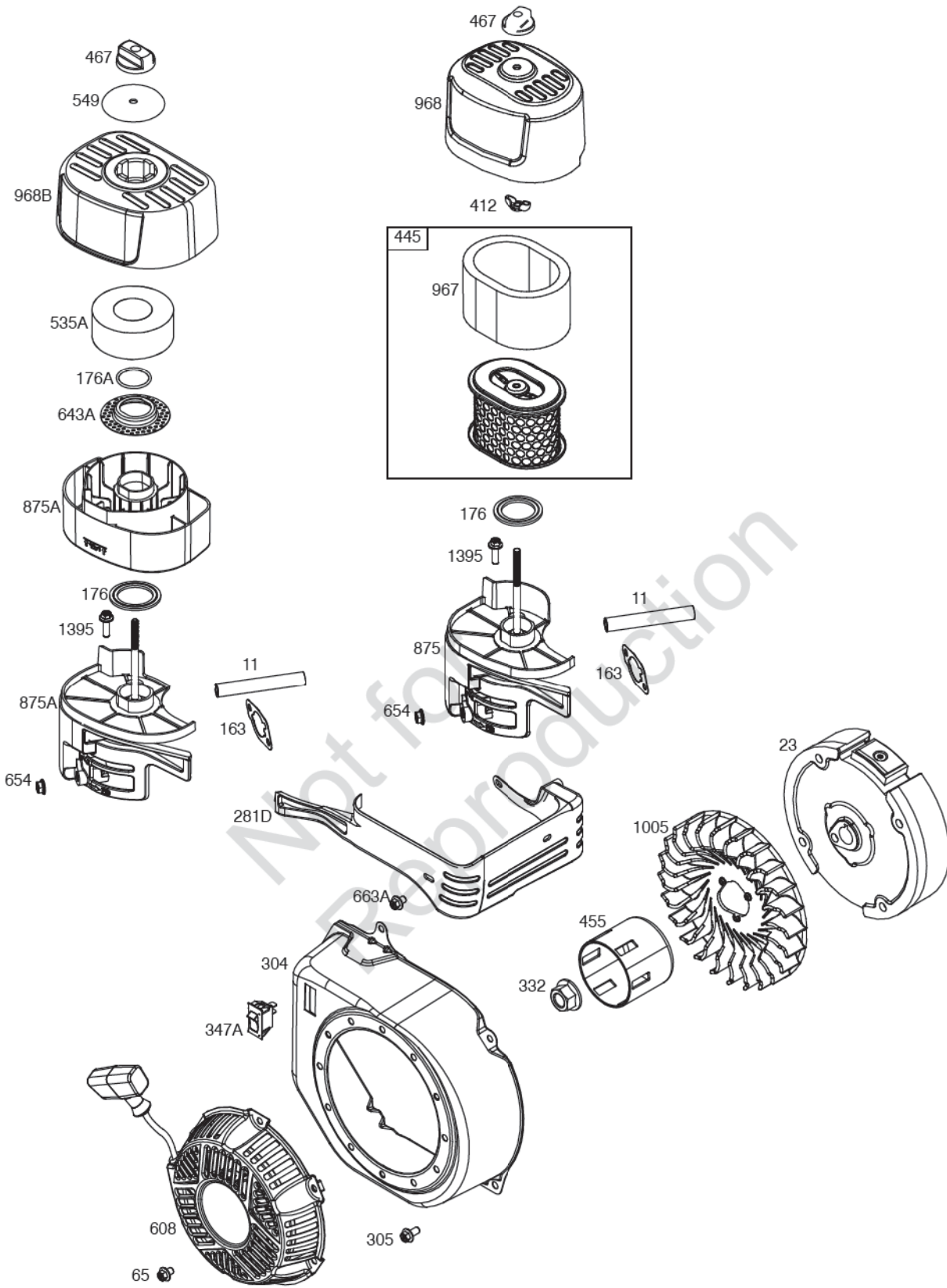


Illustrations cover a range of engines. Parts shown without text may not be used on your specific engine.

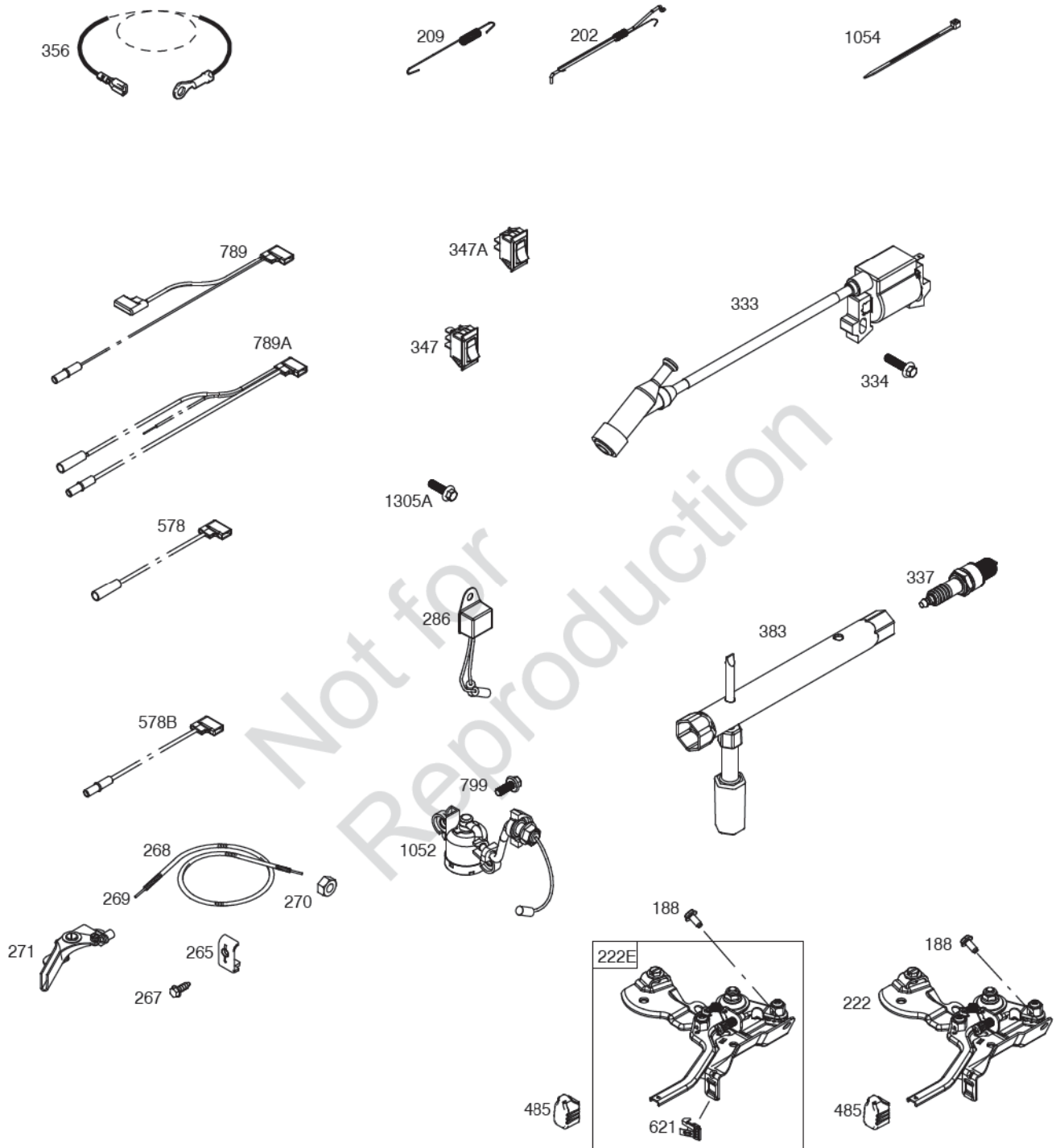


Illustrations cover a range of engines. Parts shown without text may not be used on your specific engine.

130G00



Illustrations cover a range of engines. Parts shown without text may not be used on your specific engine.



Illustrations cover a range of engines. Parts shown without text may not be used on your specific engine.

130G00

REF. NO.	PART NO.	DESCRIPTION	REF. NO.	PART NO.	DESCRIPTION	REF. NO.	PART NO.	DESCRIPTION
1	592916	Cylinder Assembly ----- Note ----- 592925 Cylinder Assembly Used on Type No(s). 0002, 0003, 0004, 0005, 0014, 0015, 0016, 0019, 0022, 0024, 0026, 0028, 0031, 0035, 0041, 0042.	22	590714	Screw (Crankcase Cover/Sump)	65	590683	Screw (Rewind Starter)
3	590712	Seal-Oil (Magneto Side)	23	590681	Flywheel	78	590683	Screw (Flywheel Guard)
5	591454	Head-Cylinder	25	591451	Piston Assembly (Standard) ----- Note ----- 592955 Piston Assembly (Standard) Used on Type No(s). 0015, 0021, 0022, 0040, 0056, 0061.	117	592875	Jet-Main (Standard) ----- Note ----- 592917 Jet-Main (Standard) Used on Type No(s). 0032, 0036, 0039, 0044, 0059.
7	591445	Gasket-Cylinder Head		591551	Piston Assembly (.020" Oversize)	118	593359	Jet-Main (High Altitude) ----- Note ----- 593360 Jet-Main (High Altitude) Used on Type No(s). 0032, 0036, 0039, 0044, 0059.
11	590698	Tube-Breather		592956	Piston Assembly (.020" Oversize) Used on Type No(s). 0015, 0021, 0022, 0040, 0056, 0061.	121B	591770	Kit-Carburetor Overhaul
12	590608	Gasket-Crankcase	26	591452	Ring Set (Standard) ----- Note ----- 592957 Ring Set (Standard) Used on Type No(s). 0015, 0021, 0022, 0040, 0056, 0061.	122	590615	Spacer-Carburetor
13	590639	Screw (Cylinder Head)		591552	Ring Set (.020" Oversize)	125A	592864	Carburetor ----- Note ----- 593351 Carburetor Used on Type No(s). 0032, 0036, 0039, 0044, 0059.
15	590678	Plug-Oil Drain		592958	Ring Set (.020" Oversize) Used on Type No(s). 0015, 0021, 0022, 0040, 0056, 0061.	155A	592874	Plate-Cylinder Head
16	591520	Crankshaft ----- Note ----- 592924 Crankshaft Used on Type No(s). 0002, 0024, 0027, 0028, 0029, 0030, 0035, 0042. 592933 Crankshaft Used on Type No(s). 0004. 592959 Crankshaft Used on Type No(s). 0020. 593075 Crankshaft Used on Type No(s). 0031. 593367 Crankshaft Used on Type No(s). 0044, 0059, 0060.	27	590664	Lock-Piston Pin	163	590605	Gasket-Air Cleaner
17	590715	Bearing-Ball	28	590663	Pin-Piston	176	590695	Seal-O Ring (Air Cleaner Base)
18C	592296	Cover-Crankcase ----- Note ----- 592963 Cover-Crankcase Used on Type No(s). 0003, 0015, 0020. 593074 Cover-Crankcase Used on Type No(s). 0030, 0035, 0037, 0044, 0047, 0048, 0059, 0060.	29	590665	Rod-Connecting	176A	793441	Seal-O Ring (Air Cleaner Base)
20	590712	Seal-Oil (PTO Side)	33	591448	Valve-Exhaust	180C	592877	Tank-Fuel
			34	591447	Valve-Intake	180E	592954	Tank-Fuel Used on Type No(s). 0015, 0021, 0022, 0040, 0056, 0061.
			35	590650	Spring-Valve (Intake)	181	794641	Cap-Fuel Tank
			36	590650	Spring-Valve (Exhaust)	187C	592867	Line-Fuel (Formed Hose)
			37D	592865	Guard-Flywheel	188	590850	Screw (Control Bracket)
			40	590654	Retainer-Valve	190A	591476	Screw (Fuel Tank)
			45	591449	Tappet-Valve			
			46	591450	Camshaft			
			51	590612	Gasket-Intake			
			51A	590613	Gasket-Intake			
			53	590691	Stud (Carburetor)			

Illustrations cover a range of engines. Parts shown without corresponding text may not be used on your specific engine.
10459-8 Assemblies include all parts shown in frames. 10/31/2013

130G00

REF. NO.	PART NO.	DESCRIPTION	REF. NO.	PART NO.	DESCRIPTION	REF. NO.	PART NO.	DESCRIPTION
202	592866	Link-Mechanical Governor	300C	592861	Muffler	445	590601	Filter-Air Cleaner Cartridge
209	590625	Spring-Governor (Blue) ----- Note ----- 590627 Spring - Governor (Green) Used on Type No(s). 0016. 590624 Spring - Governor (White) Used on Type No(s). 0007, 0056, 0061, 0062.	304	590724	Housing-Blower ----- Note ----- 590725 Housing-Blower Used on Type No(s). 0006, 0007, 0018, 0032, 0036, 0037, 0044, 0047, 0048, 0061.	455	590682	Cup-Flywheel
220	590677	Washer (Governor Gear)	305	590850	Screw (Blower Housing)	467	691985	Knob-Air Cleaner
221	590676	Cup-Governor	306	590636	Shield-Cylinder	485	797339	Knob-Control
222	592413	Bracket-Control	307	590683	Screw (Cylinder Shield)	505	590641	Nut (Governor Control Lever)
222E	593204	Bracket-Control Used on Type No(s). 0005, 0006, 0007, 0032, 0036, 0037, 0047, 0048, 0061.	332	590635	Nut (Flywheel)	522	590716	Plug-Dipstick/Fill
227	590660	Lever-Governor Control	333	590603	Armature-Magneto	535A	792472	Filter-Air Cleaner Foam
238	590649	Cap-Valve	334	590644	Screw (Magneto Armature)	549	593365	Washer (Air Cleaner Cover)
240	797346	Filter-Fuel	337	491055s	Plug-Spark ----- Note ----- 691043 Plug-Spark Used on Type No(s). 0005, 0006, 0007, 0008, 0014, 0016, 0017, 0018, 0019, 0020, 0021, 0022, 0030, 0032, 0035, 0040, 0044, 0047, 0048, 0059, 0060, 0062.	562	590640	Bolt (Governor-Control Lever)
265	691024	Clamp-Casing				578	590690	Wire Assembly
267	699492	Screw (Casing Clamp)				578B	592247	Wire-Assembly
268	691025	Casing-Control Wire (Cut To Required Length)	347	697854	Switch-Rocker	601	791850	Clamp-Hose
269	691026	Wire-Control (Cut To Required Length)	347A	795333	Switch-Rocker	608	590607	Starter-Rewind ----- Note ----- 593368 Starter-Rewind Used on Type No(s). 0056, 0061, 0062.
270	691027	Nut (Control Wire Casing)	356	695630	Wire-Stop	614	590670	Pin-Cotter
271	691028	Lever-Control	357	798305	Key-Drive Pulley ----- Note ----- 590719 Key-Drive Pulley Used on Type No(s). 0002, 0024, 0027, 0028, 0029, 0030, 0035, 0042, 0044, 0059, 0060.	616	590668	Crank-Governor
281D	592863	Panel-Control	358A	591565	Gasket Set-Engine	621	692310	Switch-Stop
286	590702	Module-Oil Sensor	383	590721	Wrench-Spark Plug	643A	593363	Retainer-Air Filter
287	590850	Screw (Dipstick Tube Lower Right)	404	590669	Washer (Governor Crank)	654	590692	Nut (Carburetor)
287A	790557	Screw (Dipstick Tube Upper Left)	412	590697	Nut (Air Cleaner Cover)	663A	590850	Screw (Speed Control Panel)
296	590631	Stud (Muffler)				676B	393760	Deflector-Muffler
						676C	697816	Deflector-Muffler
						677	699203	Screw (Muffler Deflector)
						677A	699776	Screw (Muffler Deflector)
						705	592620	Nut (Fuel Tank)
						718	590637	Pin-Locating (Cylinder Head)
						718A	590713	Pin-Locating (Crankcase Cover)
						789	590689	Harness-Wiring
						789A	590722	Harness-Wiring Used on Type No(s). 0006, 0007, 0032, 0036, 0048, 0061.

Illustrations cover a range of engines. Parts shown without corresponding text may not be used on your specific engine.
10459-9 Assemblies include all parts shown in frames. 10/31/2013

130G00

REF. NO.	PART NO.	DESCRIPTION	REF. NO.	PART NO.	DESCRIPTION	REF. NO.	PART NO.	DESCRIPTION
799	590703	Screw (Oil Sensor)	967	590602	Filter-Pre Cleaner	1052	590671	Sensor-Oil
830	590653	Stud-Rocker Arm	968	590694	Cover-Air Cleaner	1054	280275	Tie-Cable
832C	592862	Guard-Muffler	968B	593364	Cover-Air Cleaner	1058	381601	Manual-Operator's
832D	592918	Guard-Muffler	994A	593207	Arrestor-Spark Used on Type No(s). 0047.	----- Note ----- 80005802 Manual- Operator's Used on Type No(s). 0032, 0036, 0039, 0044, 0059.		
836B	590683	Screw (Muffler Guard)	994B	790153	Arrestor-Spark Used on Type No(s). 0031.			
836C	590850	Screw (Muffler Guard)	1005	590679	Fan-Flywheel	1177	590632	Nut (Muffler)
847	591444	Dipstick/Tube Assembly	1022	797194	Gasket-Rocker Cover	1305A	590643	Screw (Oil Sensor Module)
868	590648	Seal-Valve (Intake)	1023A	592903	Cover-Rocker Arm	1319	794467	Label-Warning
875	590693	Base-Air Cleaner	1026	590658	Rod-Push	1319A	797669	Label-Warning
875A	593362	Base-Air Cleaner	1029	590651	Arm-Rocker	1345A	792917	Filter-Filler Neck
883A	591156	Gasket-Exhaust	1036		Label-Emissions (Available From A Briggs & Stratton Authorized Dealer)	1395	590643	Screw (Air Cleaner Base to Carburetor)
914	590850	Screw (Rocker Cover)				1449	590633	Washer (Muffler)
951	590614	Lever-Choke						
955B	592493	Plug-Carburetor						
957	799324	Cap-Fuel Tank (Plastic)						

Not for
Reproduction

Illustrations cover a range of engines. Parts shown without corresponding text may not be used on your specific engine.
10459-10 Assemblies include all parts shown in frames. 10/31/2013

Not for
Reproduction

Not for
Reproduction

