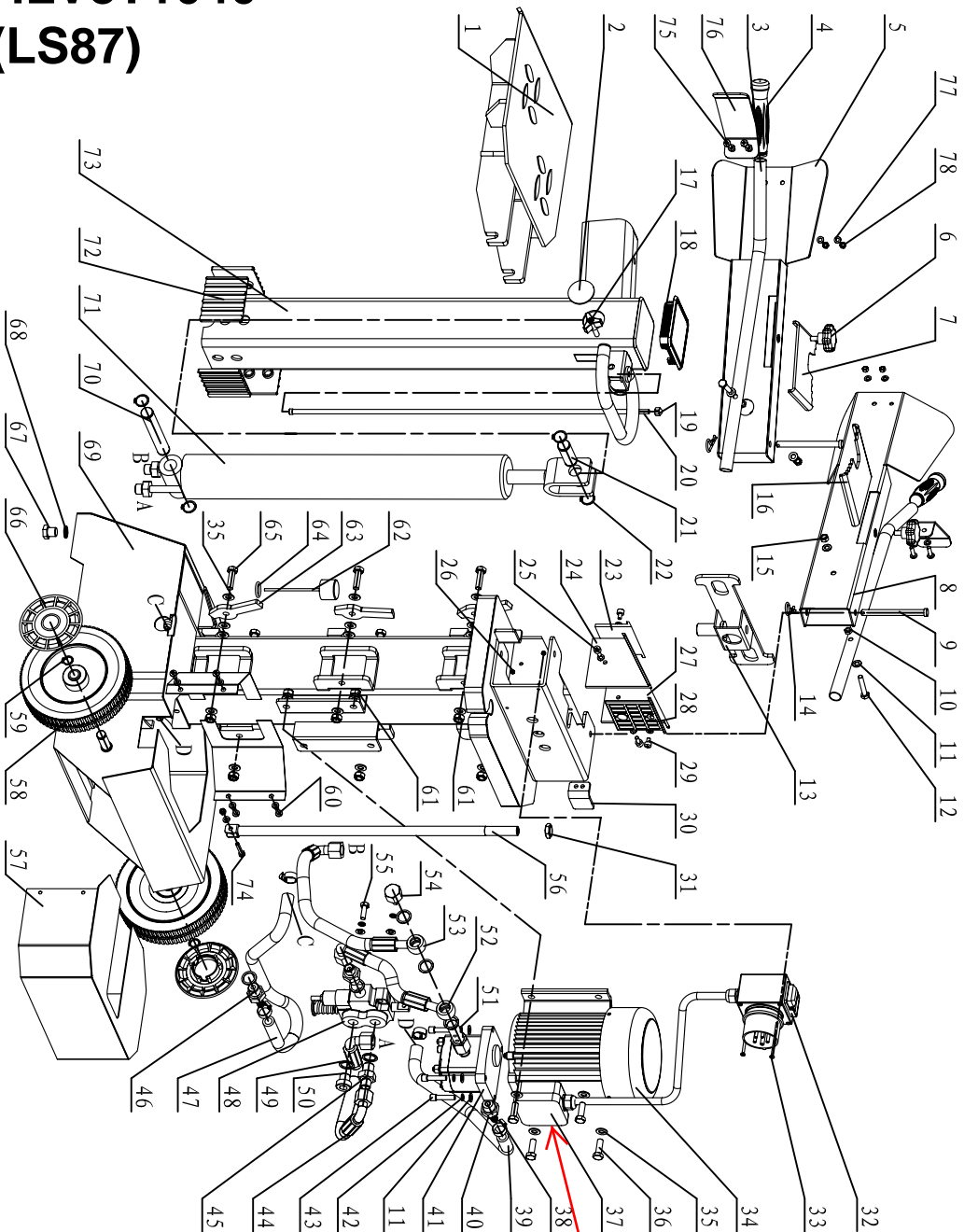


PARTS SCHEMATIC

HLV8T1040 (LS87)



CONDENSADOR
DE 60 μ F

Exploded Diagram

S.N.	Description	QTY
1	Work Table	1
2	Round Cover	2
3	Operate Handle	2
4	Lever Handle	2
5	Right Guard Assy.	1
6	Knob	2
7	Clamping Fork2 (Right)	2
8	Left Guard Assy.	2
9	Control Lever Shaft	2
10	Thin Nut	2
11	Washer 8	10
12	Hex Bolt	2
13	Control Link Plate	1
14	Fork	2
15	Locknut M8	4
16	Clamping Fork1 (Left)	1
17	Knob	1
18	Square Cover	1
19	Nut	1
20	Draw Rod	1
21	Pin	1
22	Circlip 22	4
23	Plastic Insert1	1
24	Plastic Insert4	1
25	Inner Hexangular Screw M6x16	2
26	Locknut M4	2
27	Plastic Insert 2	1
28	Plastic Insert 3	1
29	Inner Hexangular Screw M6x10	2
30	Stop Limit Plate	2
31	Thin Nut M16	1
32	Switch	1
33	Screw M4x6	2
34	Motor	1
35	Washer 10	32
36	Bolt M10x30	4
37	Junction Box	1
38	Hose Clamp	4
39	Intake Hose	1
40	Pump Intake Nozzle	1

S.N.	Description	QTY
39	Intake Hose	1
40	Pump Intake Nozzle	1
41	Oil Pump	1
42	Spring Washer 8	6
43	Inner Hexangular Screw M8x35	4
44	High Pressure Oil Hose 3	1
45	Valve Tube Nozzle	2
46	Valve Injection Nozzle	1
47	Oil Return Pipe	1
48	CA Valve	1
49	Washer Groupware 20	6
50	Valve Plug	1
51	T-Connector, Tape	1
52	High Pressure Oil Hose1	1
53	High Pressure Oil Hose2	1
54	T-Plug, Nut	1
55	Bolt M8x25	2
56	Draw Sleeve	
57	Pump Guard	1
58	Wheel	2
59	Circlip 16	2
60	Screw M6x16	4
61	Locknut M10	10
62	Cap	1
63	Lock-out Lever	6
64	O-Ring 32x3.55	1
65	Bolt M10x35	6
66	Wheel Cover	2
67	Bolt M16x25	1
68	Washer Groupware 16	1
69	Upright Tube Weldment	1
70	Lock Shaft	1
71	Cylinder	1
72	Sliding Plate	4
73	Wedge Bracket Weldment	1
74	Bolt M6*30	1
75	Screw M6*20	4
76	Armguard Plate	1
77	Washer 6	2
78	Locknut	2

Para saber que código es el nuestro hay que :

(LSxx)+Fig+S.N.

**ejemplo:
LS87FIG1**