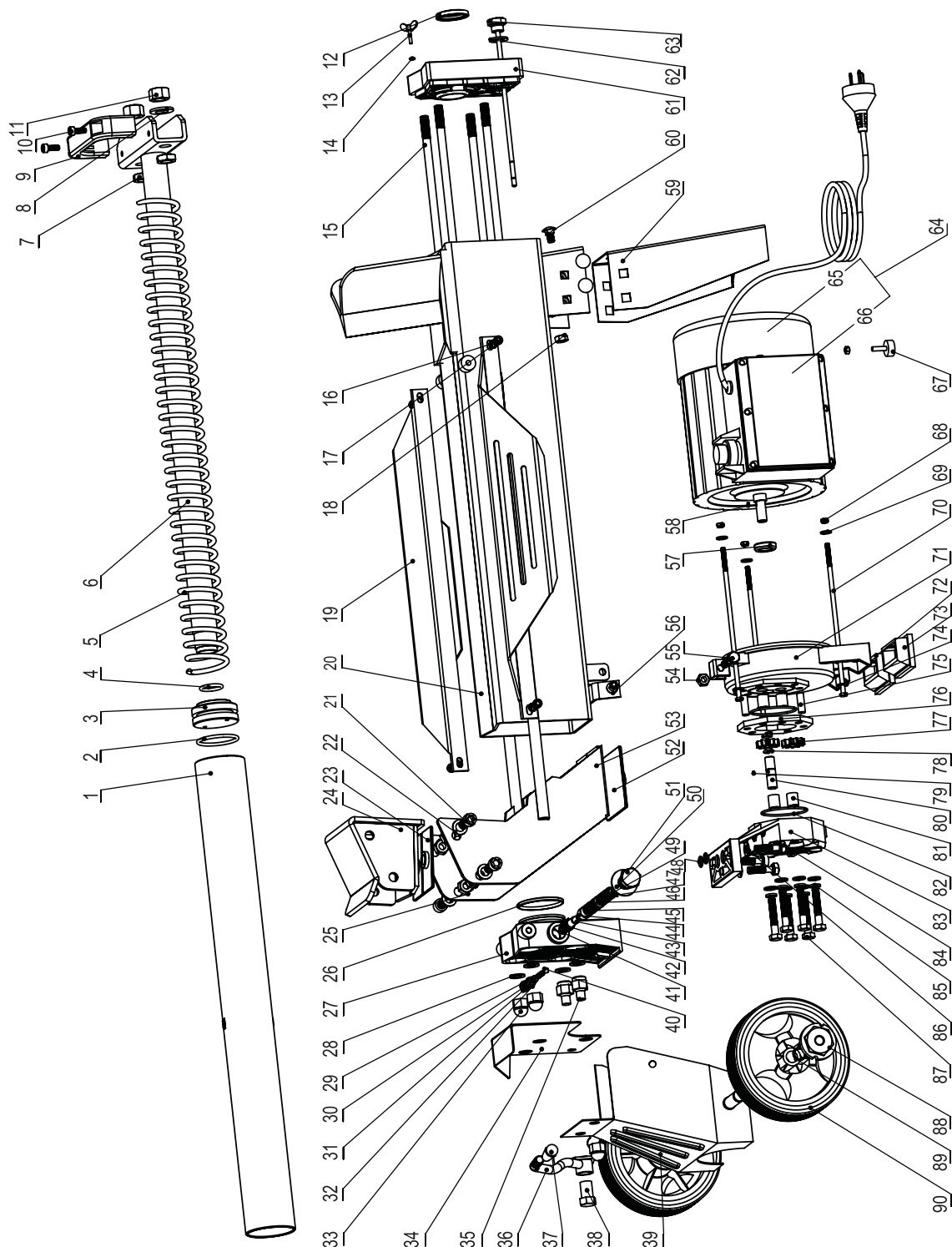


# HL5T520 (LS58)

## PARTS SCHEMATIC



### Exploded Diagram

S.N.	Description	QTY
1	Cylinder	1
2	Piston O-ring	1
3	Piston	1
4	O-ring	1
5	Spring	1
6	Positon Rod Weldment	1
7	Nut M14	2
8	Washer	2
9	Moving Handle	1
10	Hex. Bolt M6*16	2
11	Nut, M14	2
12	Platic Seal	1
13	Wing Screw / Bleed Screw	1
14	O-ring	1
15	Long Stub	4
16	Hex. Bolt M6x8	6
17	Spring washer 6	4
18	Nut M8	5
19	Support Plate	2
20	Tube Frame / Oil Tank	1
21	Hex. Bolt M10x25	4
22	Washer 10	4
23	Upper Plastic Insert	1
24	Log Pusher Weldment	1
25	Nut M10	4
26	O-ring	1
27	Cylinder Cover - Left	1
28	Copper Gasket	4
29	Safety Valve Spring	1
30	Screw M8x8	1
31	Safety Valve Bolt	1
32	O-ring	1
33	Round Head Nut M10	3
34	Lever Guard	1
35	Nut 45	2
36	Lever Weldment	1
37	Lever Head	1
38	Lever Nut	1
39	Wheel Frame Plate Weldment	1
40	Steel Ball, 6	1

S.N.	Description	QTY
41	Circlip	1
42	Restore Valve Spring	1
43	Valve Rod	1
44	O-ring	1
45	Valve Sleeve	1
46	O-ring	5
47	O-ring	2
48	Sliding Sleeve Spring	1
49	Sliding Sleeve	1
50	Washer	1
51	Valve Plug	1
52	Lower Plastic Insert	1
53	Drawing Weldment	1
54	Loose Nut M8	1
55	Hex. Bolt M8x35	1
56	Washer	2
57	Motor Shaft Seal	1
58	Steel Ball, 2.5	1
59	Support Leg	1
60	Carriage BOLT M8x12	5
61	Cylinder Cover - Right	1
62	Dipstick Gasket	1
63	Dipstick	1
64	Motor with switch	1
65	Motor	1
66	Switch box	1
67	Bolt	1
68	Nut	1
69	Spring Washer	3
70	Bolt	3
71	Motor Cover	1
72	Motor Support Shoe - Left	1
73	Motor Support Shoe - Right	1
74	Washer	9
75	Pin	2
76	Gear Body	1
77	Gear	2
78	Gear Shaft Snap Washer	2
79	Pin	1
80	Gear Shaft	1

81	Sliding Bearing	4
82	O-ring	2
83	Pump Cover	1
84	Bolt	3
85	Spring washer	9
86	Washer	9
87	Bolt	6
88	Wheel Cover	2
89	Wheel Shaft Snap Ring	2
90	Wheel	2

Para saber que código es el nuestro hay que :  
**(LSxx)+Fig+S.N.**  
ejemplo:  
**LS58FIG1**