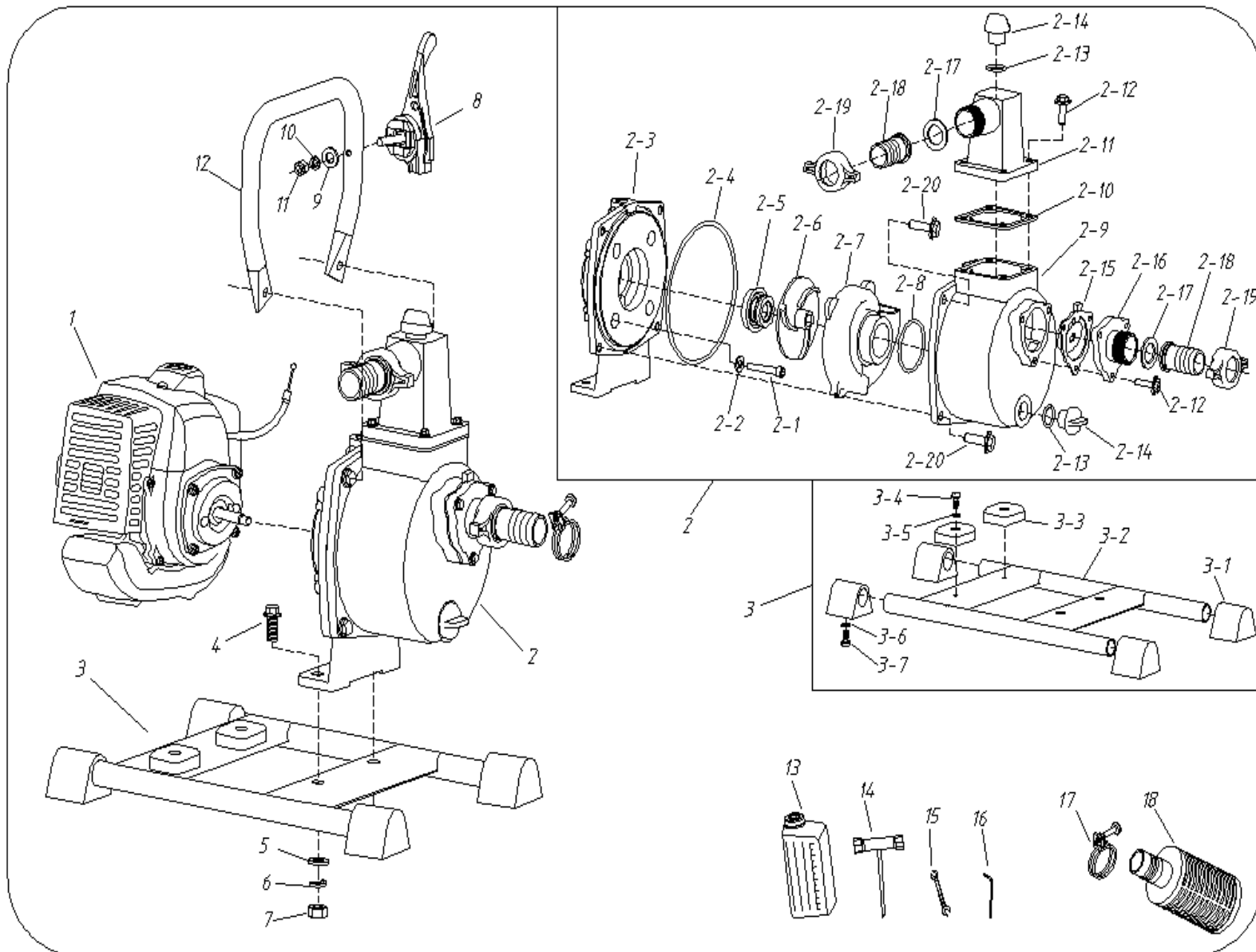


GPUMP 25 BOMBA



QGZ25-30H

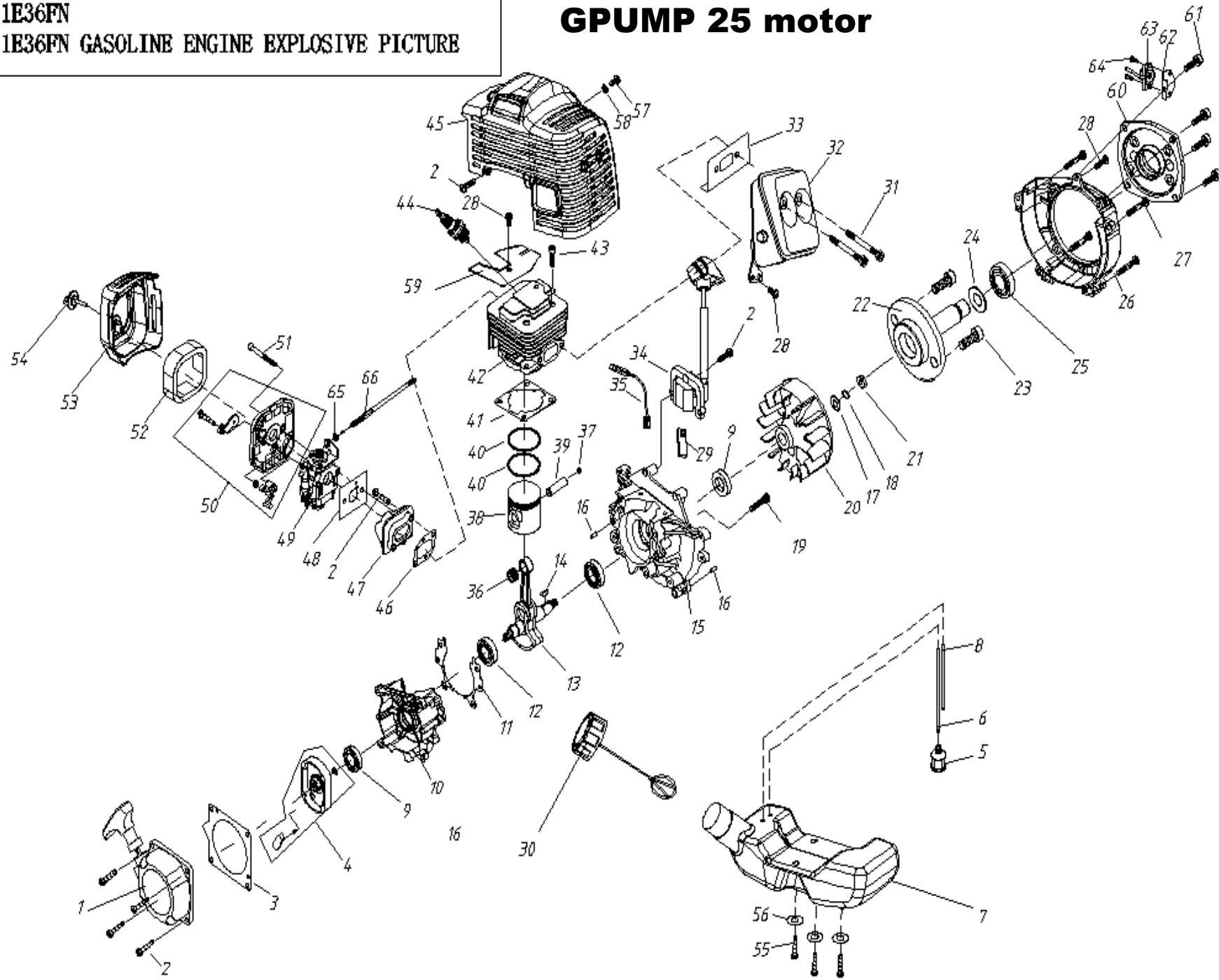
QGZ25-30H MODEL WATER PUMP PARTS LIST

Item	Part No.	Specifications	Part Name	Qty
1	51010410021	1E36FN	Engine assembly	1
2	02050150047	WP10	Pump assembly	1
2-1	03010070022	GB/T5789 M5×45	Hexagon socket cap screws M5×45	4
2-2	02060030183	CT/01-10LSB-1200	Nylon Washer	4
2-3	02060030168	CT/01-10LSB-0200	Pump Cover	1
2-4	02060030169	Φ160×4	Pump Cover O-ring Φ160×4	1
2-5	02060030170	SB-17	Machanical seal	1
2-6	02060030171	CT/01-10LSB1-0300	Impeller	1
2-7	02060030172	CT/01-10LSB-0400	Volute Casting	1
2-8	02060030173	Φ41×3.55	Volute Casting O-ring Φ41×3.55	1
2-9	02060030174	CT/01-10LSB-0100	Pump Housing	1
2-10	02060030175	CT/01-10LSB-0601	Discharge Flange Gasket	1
2-11	02060030176	CT/01-10LSB-0600	Discharge Flange	1
2-12	03010070023	GB/T5789 M6×18	hexagon head screws M6×20	7
2-13	02060030177	Φ18×3.1	Priming Cap O-ring Φ18×3.1	2
2-14	02060030178	CT/01-10LSB-1000	Priming Cap	2
2-15	02060030179	CT/01-10LSB-0700	Return Valve Gasket	1
2-16	02060030180	CT/01-10LSB-0500	Inlet Valve	1
2-17	02050150074	CT/01-10LSB-0901	Pipe Connector Gasket	2
2-18	02060030181	CT/01-10LSB-0900	Pipe Connector	2
2-19	02060030182	CT/01-10LSB-0800	Connector Nut	2
2-20	03010070019	GB/T5789 M8×25	Hexagon head screws M8×25	4
3	02050150053	QGZ25-30B.WB	Base assembly	1
3-1	02080030010	QGZ40-35-10	Shock absorbing rubber plug	4
3-2	02050150043	QGZ25-30B.1	Water pump base	1
3-3	02080050043	QGZ25-30B-1	Shock absorbing rubber plug	2
3-4	03020020032	GB/T9074.4 M4×12	Screw M4×12	2
3-5	03040020019	GB/T97.1 5	Washer Φ5	2
3-6	03040010009	GB/T96.1 5	Washer Φ5	4
3-7	03010060087	GB/T818 M5×12	Screw M5×12	4
4	03010070007	GB/T5789 M8×30	Hexagon head screws M8×30	2
5	03040020018	GB/T97 8	Washer Φ8	2
6	03050010008	GB/T93 8	Washer Φ8	2
7	03030010017	GB6170 M8	Hexagon full nuts M8	2
8	02050150032	QGZ40-35.5	Throttle Lever	1
9	03040020020	GB/T97 5	Washer Φ5	1
10	03050010015	GB/T93 5	Washer Φ5	1
11	03030010013	GB6170 M5	Hexagon full nuts M5	1
12	02050150048	QGZ25-30.T-1	Handle	1
13	70080010003	1E36FN-YP	Fuel mixture bottle (0.6L)	1
14	03080030004	3F-30 17×19	Box spanner 17×19	1
15	03080020007	8×10	Open spanner 8×10	1
16	03080010006	GJ-YJ-1 (S=4/S=5)	Alley key (S=4/S=5)	1
17	02020040011	HL-25ZB-H.4 Φ32	Clamp Φ32	3
18	02060030076	HL-25ZB-H.3	Screen assembly	1

1E36FN

1E36FN GASOLINE ENGINE EXPLOSIVE PICTURE

GPUMP 25 motor



1E36FN

Appendix List Engine Parts of Attenchend Fig.

Item	Part No.	Part Name	Qty	Re	Item	Part No.	Part Name	Qty	Re	Item	Part No.	Part Name	Qty
1	02050070024	STARTER	1		29	02080030042	RUBBER STOPPER	1		57	03010110057	GB/T9074.3 M5*8	1
2	03020020012	GB/T9074.4 M5*20	8		30	02110020026	FUEL TANK CAP ASSY	1		58	03040020020	GB/T97 φ5	1
3	02010030018	STARTER LINER	1		31	03010010075	Bolt assy M5×55	2		59	02020160764	Plate	1
4	02050100006	START PULL	1		32	02050010139	MUFFLER	1		60	02050150060	Transition flange	1
5	02050120002	CLEANER	1		33	02070010151	GASKET, muffler	1		61	03020030008	Screw M6×16	4
6	61330010013	INLET FULE PIPE	1		34	02050030230	IGNITION ,COIL	1		62	02020160906	Bracket	1
7	70050030262	FUEL TANK CAP ASSY	1		35	02050050252	STOP CORE COMP	1		63	02050050251	Stop Button Comp.	1
8	61330010018	OUTLET FUEL PIPE	1		36	3090020020	NEEDLE, bearing	1		64	03020020009	Screw M4×10	2
9	03100010032	OIL SEAL 12*22*7	2		37	02020030016	PISTON PIN RETAINER	2		65	03030010004	Nut M6	2
10	70070050112	REAR CRANKCASE	1		38	02010020062	PISTON	1		66	02050040164	Cable comp	1
11	02070010230	GASKET, crankcase	1		39	02020010051	PIN, piston	1		67			
12	03090010034	GB/T276 6201/P5	2		40	02020020006	RING, piston	2		68			
13	02020120031	CRANK SHAFT COMP	1		41	02070010318	GASKET, cylinder	1		69			
14	03070010002	KEY GB/T1099.1 3*5*13	1		42	70070130083	CYLINDER	1		70			
15	70070050078	FRONT CRANKCASE	1		43	03010010062	SCREW ASSY M5×20	4		71			
16	03060010004	PIN 4*10	2		44	03130010013	SPARK PLUG RCJ6Y	1		72			
17	03040020018	GB/T97.1 8	1		45	70030030854	TOP COVER	1		73			
18	03050010008	GB/T93 8	1		46	02070010092	Gasket, insulator	1		74			
19	03010010069	SCREW ASSY M5*30	4		47	70030020011	INSULATOR	1		75			
20	02050030254	MAGNETO ROTOR	1		48	02070010321	GASKET, carburetor	1		76			
21	03030010017	GB6170 8*1.25	1		49	02050020256	CARBURETOR	1		77			
22	02050150093	Connect shaft	1		50	70080120007	AIR CLEANER COVER	1		78			
23	03010010084	Hexagon socket cap screws M8×20	2		51	03020020047	GB/T9074.4 M5*50	2		79			
24	03040050043	WASHER	1		52	02090010011	AIR ELEMENT	1		80			
25	03090010014	Bearing 6002-2RS/P5	1		53	70030040226	CLEANER OUTSIDE COVER	1		81			
26	70070030044	FAN COVER	1		54	02110030079	KNOB	1		82			
27	03010010062	M5*20	4		55	03020020027	GB/T9074.4 M5*16	3		83			
28	03020020053	GB/T9074.4 M5*12	2		56	03040050022	φ5*15*1	3		84			