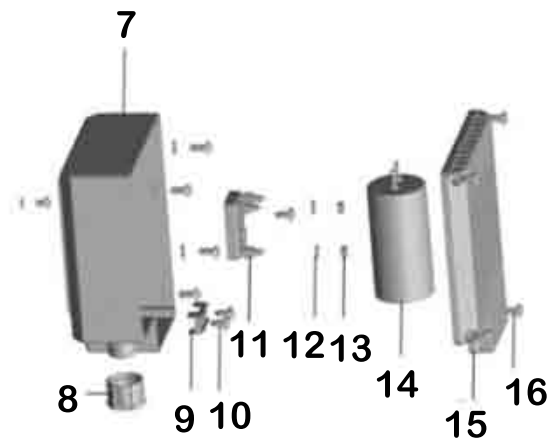
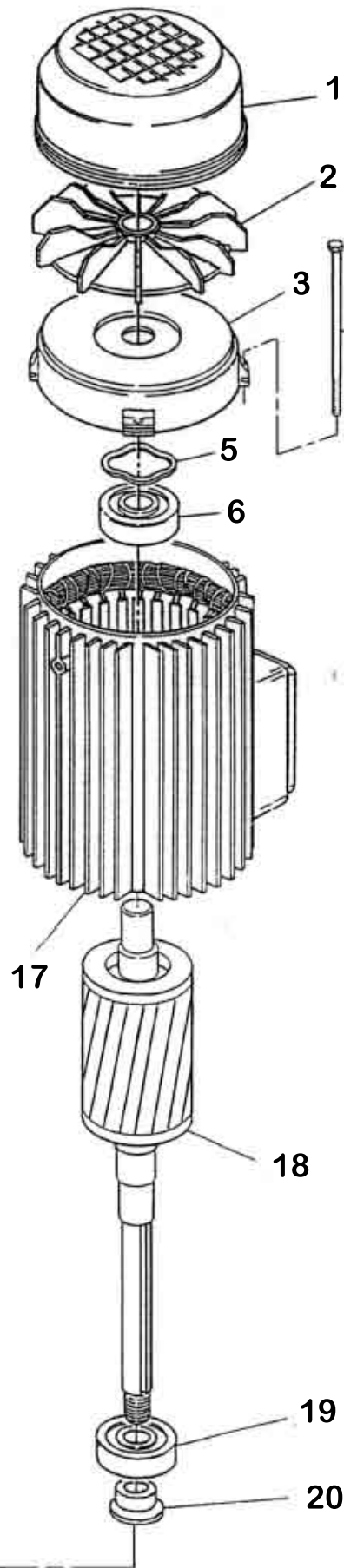
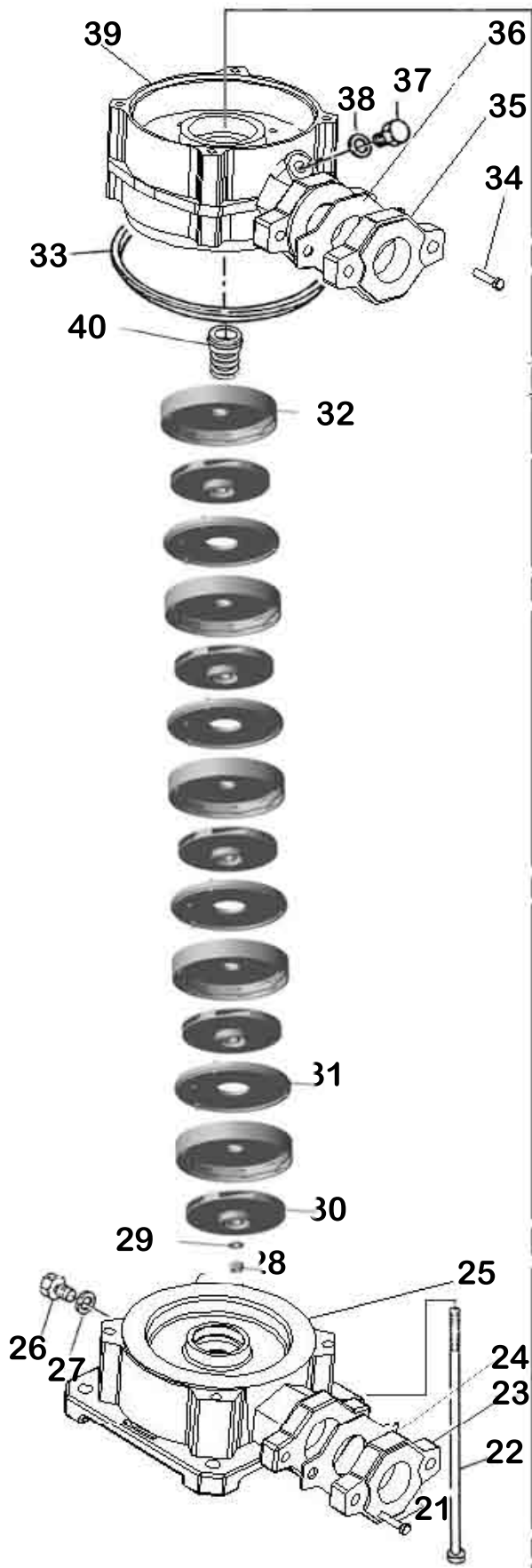


EV



EV

N.FIGURA	REFERENCIA	DENOMINACION
1	HMCSC-18	TAPA VENTILADOR
2	HMCSC-17	VENTILADOR
3	HMCSC-0161	TIRANTE EV-200
3	HMCSC-0162	TIRANTE EV-300
4	HMCSC-14	TAPA TRASERA MOTOR
5	HMCSC-40	ARANDELA DE COMPENSACION
6	HMCSC-39	RODAMIENTO
7	HMCSC-28	CAJA CONEXIONES (BASE)
8	HMCSC-27	TUERCA
9	HMCSC-26	PRENSACABLES
10	HMCSC-25	TORNILLO
11	HMCSC-24	REGLETA
12	HMCSC-23	ARANDELA
13	HMCSC-22	TUERCA
14	HMCSC-218	CONDENSADOR EV200
15	HMCSC-20	TAPA CAJA CONEXIONES
16	HMCSC-19	TORNILLO
17	HMCSC-128	CONJUNTO STATOR EV-200
17	HMCSC-127	CONJUNTO STATOR EV-200T
17	HMCSC-129	CONJUNTO STATOR EV-300T
18	HMCSC-388	ROTOR EV200
18	HMCSC-387	ROTOR EV200T
18	HMCSC-389	ROTOR EV300T
19	HMCSC-37	RODAMIENTO
20	HMCSC-36	PROTECTOR
21	HMCSC-50	TORNILLO
22	HMCSC-018	TIRANTE BOMBA EV-200
22	HMCSC-019	TIRANTE BOMBA EV-300
23	HMCSC-51	PLATINA BOMBA
24	HMCSC-52	JUNTA
25	HMCSC-05V	BASE-CUERPO ASPIRACION EV
26	HMCSC-02	TAPON
27	HMCSC-03	JUNTA TORICA
28	HMCSC-30	TUERCA
29	HMCSC-31	ARANDELA
30	HMCSC-32	RODETE
31	HMCSC-33	DISCO
32	HMCSC-34	DIFUSOR
33	HMCSC-06	JUNTA TORICA
34	HMCSC-50	TORNILLO
35	HMCSC-51	PLATINA BOMBA
36	HMCSC-52	JUNTA
37	HMCSC-02	TAPON
38	HMCSC-03	JUNTA TORICA
39	HMCSC-10V	CUERPO IMPULSION EV
40	HMCSCV-09	SELLO MECANICO