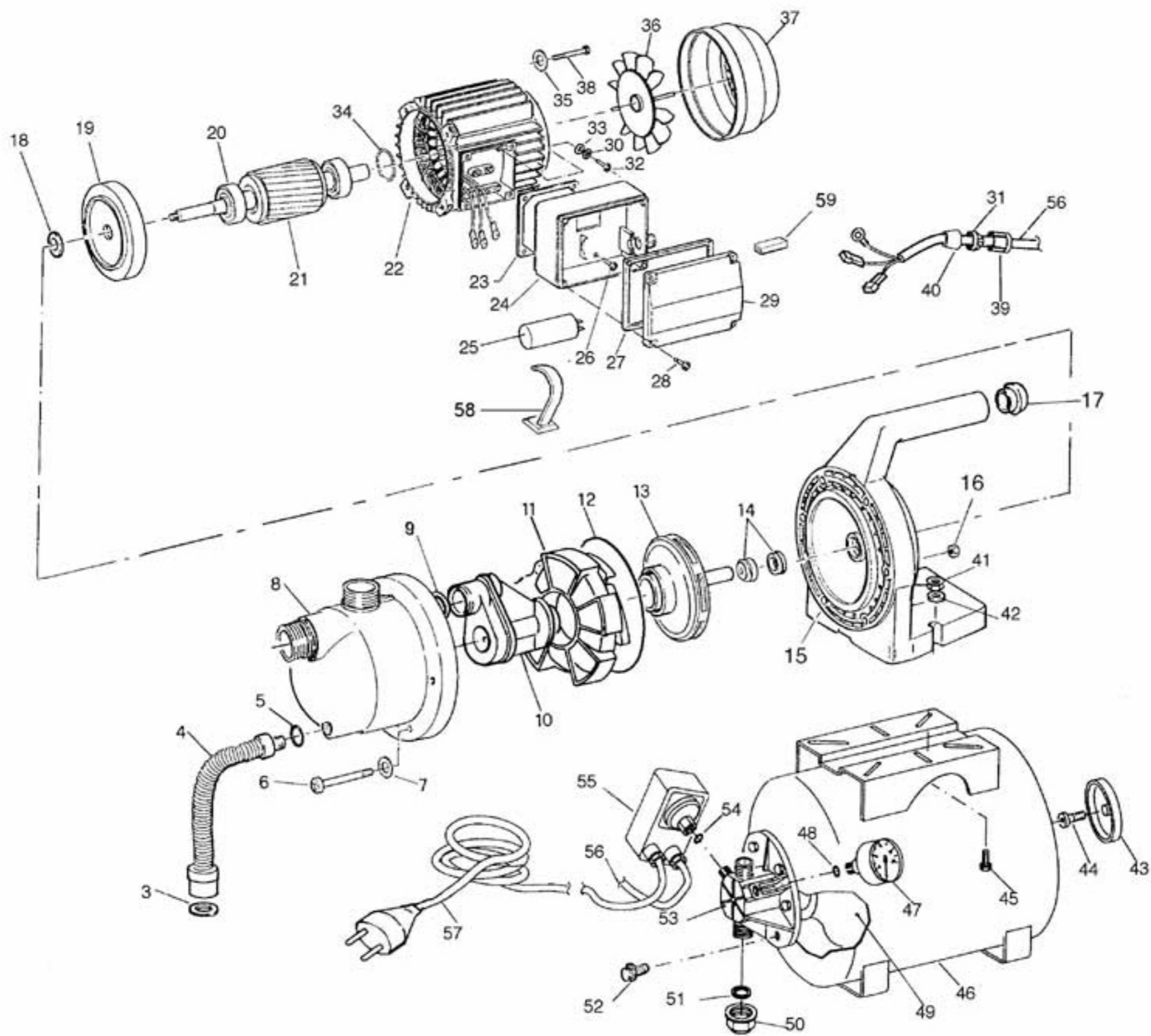


# ECOMATIC 100



## ECOMATIC 100

Model	Ref.	Art. Leader	Descrizione	Description
ECOMATIC 100	3	P1240025	Guarnizione piana	Joint
ECOMATIC 100	4	P1590086	Tuboflex	Flexible pipe
ECOMATIC 100	5	P1200004	Guarnizione O.Ring	Joint O.Ring
ECOMATIC 100	6	P1100002	Vite	Screw
ECOMATIC 100	7	P1120009	Rosetta	Washer
ECOMATIC 100	8	S3600249	Corpo pompa	Pump housing
ECOMATIC 100	9	P1200024	Guarnizione O.Ring	Joint O.Ring
ECOMATIC 100	10	S3250074	Gruppo idraulico	Injector
ECOMATIC 100	11	S3500247	Diffusore	Diffuser
ECOMATIC 100	12	P1200015	Guarnizione O.Ring	Joint O.Ring
ECOMATIC 100	13	S3150049	Girante	Impeller
ECOMATIC 100	14	P1220003	Gruppo tenuta meccanica	Mechanical seal
ECOMATIC 100	15	S3600151	Flangia con manico	Flange with handle
ECOMATIC 100	16	P1110001	Dado	Nut
ECOMATIC 100	17	S3500288	Tappo manico	Cap handle
ECOMATIC 100	18	P1240001	Paraspruzzi	Joint
ECOMATIC 100	19	S3120007	Flangia	Flange
ECOMATIC 100	20	P1180007	Cuscinetto	Bearing
ECOMATIC 100	21	S3101009	Albero rotore completo di cuscinetti	Shaft with bearings
ECOMATIC 100	22	S3410194	Statore completo	Stator
ECOMATIC 100	23	S3500199	Gasket basetta 63/71	Gasket
ECOMATIC 100	24	S3500212	Base portacondensatore	Base capacitor holder
ECOMATIC 100	25	P1360018	Condensatore	Capacitor
ECOMATIC 100	26	P1100004	Vite	Screw
ECOMATIC 100	27	P1200021	Guarnizione O.Ring	Joint O.Ring
ECOMATIC 100	28	P1100006	Vite	Screw
ECOMATIC 100	29	S3500218	Coperchio portacondensatore	Cap capacitor holder
ECOMATIC 100	30	P1120003	Rosetta elastica	Spring-washer
ECOMATIC 100	31	P1510024	Gabbietta bloccacavo	Cable fastener
ECOMATIC 100	32	P1100055	Vite terra	Earth screw
ECOMATIC 100	33	P1120051	Rosetta	Washer
ECOMATIC 100	34	P1120002	Anello onda	Waved-ring
ECOMATIC 100	35	P1120030	Rosetta elastica	Spring-washer
ECOMATIC 100	36	P1510014	Ventola raffreddamento Mec 63	Fan Mec 63
ECOMATIC 100	37	P1510043	Copriventola Mec 63	Fan cover Mec 63
ECOMATIC 100	38	P1100046	Vite	Screw
ECOMATIC 100	39	P1510009	Dado	Nut
ECOMATIC 100	40	P1230001	Gommino d9	Joint d9
ECOMATIC 100	41	P1110003	Dado	Nut
ECOMATIC 100	42	P1120005	Rosetta	Washer
ECOMATIC 100	43	S3500166	Coprivalvola serbatoio	Valve cap
ECOMATIC 100	44	P1230008	Valvola	Valve
ECOMATIC 100	45	P1100005	Vite	Screw
ECOMATIC 100	46	S3206005	Carcassa 20 lt. rosso	Shell
ECOMATIC 100	47	P1170002	Manometro	Manometer
ECOMATIC 100	48	P1200003	Guarnizione O.Ring	Joint O.Ring
ECOMATIC 100	49	P1230022	Membrana	Membrane
ECOMATIC 100	50	S3500527	Tappo 1" GAS	Cap 1" GAS
ECOMATIC 100	51	P1200049	Guarnizione O.Ring	Joint O.Ring
ECOMATIC 100	52	P1100026	Vite	Screw
ECOMATIC 100	53	S3600380	Flangia 4 vie	4-way flange
ECOMATIC 100	54	P1200016	Guarnizione O.Ring	Joint O.Ring
ECOMATIC 100	55	P1380042	Pressostato	Pressure switch
ECOMATIC 100	56	P1320010	Cavo di collegamento pressostato	Cable
ECOMATIC 100	57	P1320004	Cavo di alimentazione	Cable
ECOMATIC 100	58	S3500205	Clip fermacondensatore	Clip
ECOMATIC 100	59	P1390011	Connettore	Tab terminal