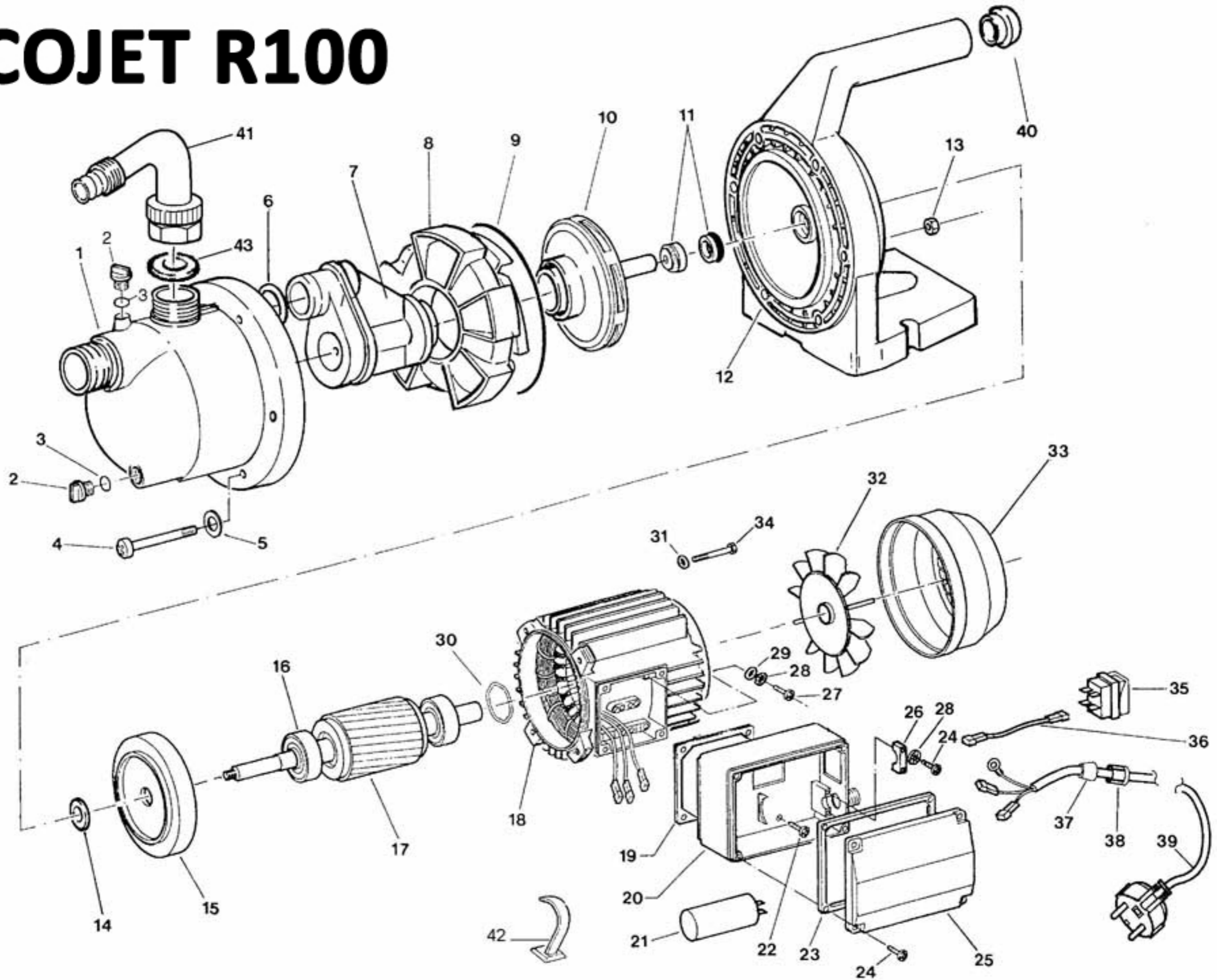


# ECOJET R100



## ECOJET R100

| Model                     | Ref.  | Art. Leader | Descrizione                             | Description                     |
|---------------------------|-------|-------------|---|---------------------------------|
| ECOJET R90 - R100 V230/50 | 1     | S3600249    | Corpo pompa                             | Pump housing                    |
| ECOJET R90 - R100 V230/50 | 2     | S3500009    | Tappo filettato 3/8" GAS                | Screw 3/8" GAS                  |
| ECOJET R90 - R100 V230/50 | 3     | P1200004    | Guarnizione O.Ring                      | Joint O.Ring                    |
| ECOJET R90 - R100 V230/50 | 4     | P1100002    | Vite                                    | Screw                           |
| ECOJET R90 - R100 V230/50 | 5     | P1120009    | Rosetta                                 | Washer                          |
| ECOJET R90 - R100 V230/50 | 6     | P1200024    | Guarnizione O.Ring                      | Joint O.Ring                    |
| ECOJET R90 - R100 V230/50 | 7     | S3250074    | Gruppo idraulico Ecojet R100            | Injector Ecojet R100            |
| ECOJET R90 - R100 V230/50 | 7     | S3250012    | Gruppo idraulico Ecojet R90             | Injector Ecojet R90             |
| ECOJET R90 - R100 V230/50 | 8     | S3500247    | Diffusore                               | Diffuser                        |
| ECOJET R90 - R100 V230/50 | 9     | P1200015    | Guarnizione O.Ring                      | Joint O.Ring                    |
| ECOJET R90 - R100 V230/50 | 10    | S3150048    | Girante R90                             | Impeller Ecojet R90             |
| ECOJET R90 - R100 V230/50 | 10    | S3150049    | Girante Ecojet R100                     | Impeller Ecojet R100            |
| ECOJET R90 - R100 V230/50 | 11    | P1220003    | Gruppo tenuta meccanica                 | Mechanical seal                 |
| ECOJET R90 - R100 V230/50 | 12    | S3600151    | Flangia con manico                      | Flange with handle              |
| ECOJET R90 - R100 V230/50 | 13    | P1110001    | Dado                                    | Nut                             |
| ECOJET R90 - R100 V230/50 | 14    | P1240001    | Paraspruzzi                             | Joint                           |
| ECOJET R90 - R100 V230/50 | 15    | S3120007    | Flangia anteriore                       | Flange                          |
| ECOJET R90 - R100 V230/50 | 16    | P1180007    | Cuscinetti                              | Bearings                        |
| ECOJET R90 - R100 V230/50 | 17    | S3101009    | Albero Ecojet R100 compl. di cuscinetti | Shaft Ecojet R100 with bearings |
| ECOJET R90 - R100 V230/50 | 17    | S3101010    | Albero Ecojet R90 compl. di cuscinetti  | Shaft Ecojet R90 with bearings  |
| ECOJET R90 - R100 V230/50 | 18    | S3410194    | Statore completo Ecojet R100            | Stator Ecojet R100              |
| ECOJET R90 - R100 V230/50 | 18    | S3410220    | Statore completo Ecojet R90             | Stator Ecojet R90               |
| ECOJET R90 - R100 V230/50 | 19    | S3500199    | Gasket basetta 63/71                    | Gasket                          |
| ECOJET R90 - R100 V230/50 | 20    | S3500214    | Base portacondensatore                  | Base capacitor holder           |
| ECOJET R90 - R100 V230/50 | 21    | P1360018    | Condensatore                            | Capacitor                       |
| ECOJET R90 - R100 V230/50 | 22    | P1100004    | Vite                                    | Screw                           |
| ECOJET R90 - R100 V230/50 | 23    | P1200021    | Guarnizione O.ring                      | Joint O.ring                    |
| ECOJET R90 - R100 V230/50 | 24    | P1100006    | Vite                                    | Screw                           |
| ECOJET R90 - R100 V230/50 | 25    | S3500218    | Coperchio portacondensatore             | Cap capacitor holder            |
| ECOJET R90 - R100 V230/50 | 26    | P1510004    | Cricchetto pressacavo                   | Cable fastener                  |
| ECOJET R90 - R100 V230/50 | 27    | P1100055    | Vite terra                              | Earth screw                     |
| ECOJET R90 - R100 V230/50 | 28    | P1120003    | Rosetta elastica                        | Spring washer                   |
| ECOJET R90 - R100 V230/50 | 29    | P1120051    | Rosetta                                 | Washer                          |
| ECOJET R90 - R100 V230/50 | 30    | P1120002    | Anello onda                             | Waved ring                      |
| ECOJET R90 - R100 V230/50 | 31    | P1120030    | Rosetta elastica                        | Spring-washer                   |
| ECOJET R90 - R100 V230/50 | 32    | P1510014    | Ventola raffreddamento Mec 63           | Fan Mec 63                      |
| ECOJET R90 - R100 V230/50 | 33    | P1510043    | Copriventola Mec 63                     | Fan cover Mec 63                |
| ECOJET R90 - R100 V230/50 | 34    | P1100046    | Vite                                    | Screw                           |
| ECOJET R90 - R100 V230/50 | 35    | P1380044    | Interruttore non luminoso               | Switch                          |
| ECOJET R90 - R100 V230/50 | 36    | P1310001    | Cavetto blue                            | Cable blue                      |
| ECOJET R90 - R100 V230/50 | 37    | P1230001    | Gommino d.9                             | Joint d.9                       |
| ECOJET R90 - R100 V230/50 | 38    | P1510009    | Dado                                    | Nut                             |
| ECOJET R90 - R100 V230/50 | 39    | P1330064    | Cavo di alimentazione                   | Cable                           |
| ECOJET R90 - R100 V230/50 | 40    | S3500288    | Tappo manico                            | Handle cap                      |
| ECOJET R90 - R100 V230/50 | 42    | S3500205    | Clip fermacondensatore                  | Clip                            |
| ECOJET R90 - R100 V230/50 | 41+43 | S3600361    | Raccordo 2 pz.con guarnizione piana     | Elbow with joint                |