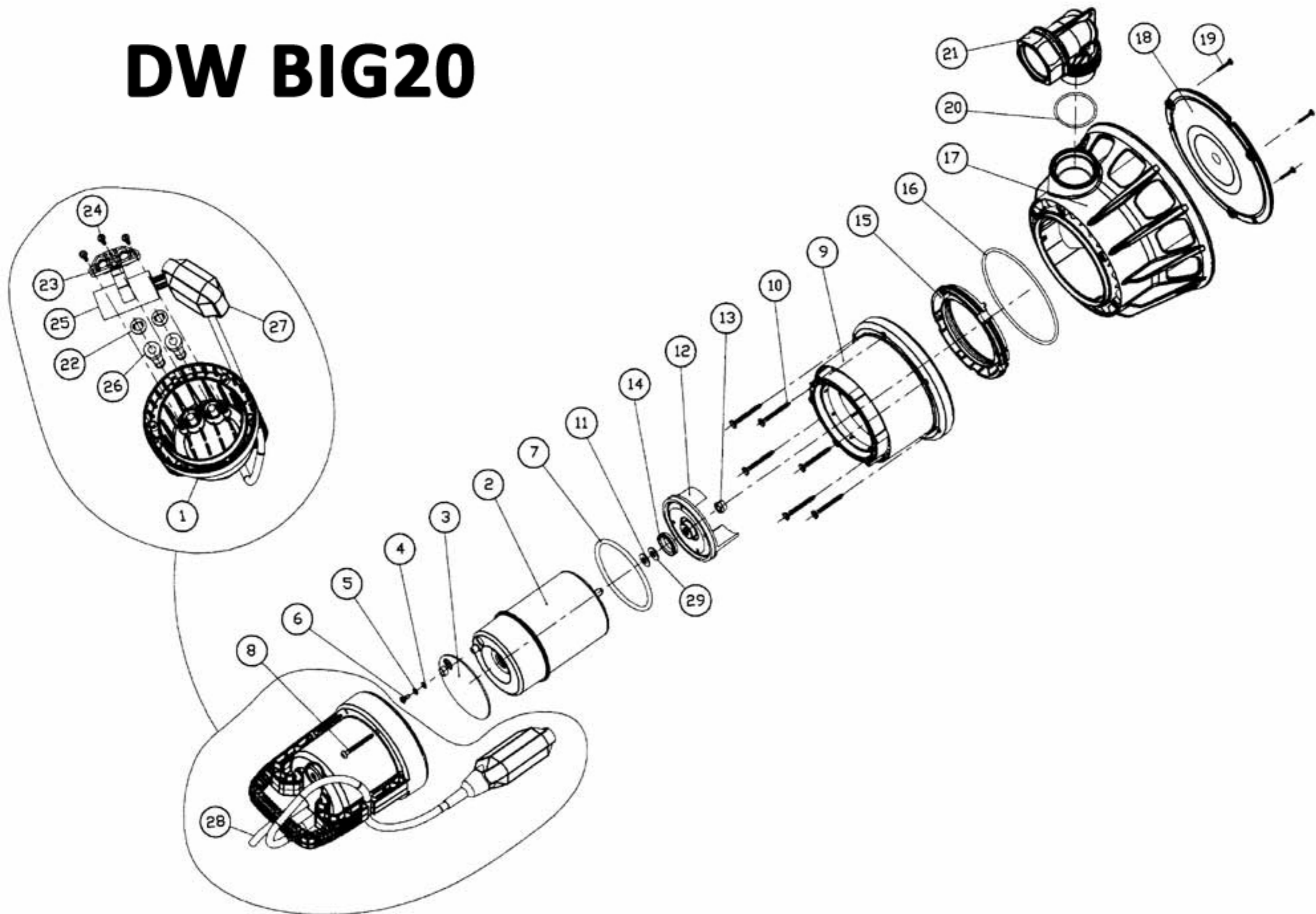


DW BIG20



DW BIG20

Model	Ref.	Art. Leader	Descrizione	Description	Description
CA530001 - DW BIG20	1	S3600326	Coperchio	Cap	Couvercle
CA530001 - DW BIG20	2	G4304016	Gruppo motore	Motor	Moteur
CA530001 - DW BIG20	3	S3500106	Disco isolante	Insulation disk	Disque de isolement
CA530001 - DW BIG20	4	P1120051	Rosetta	Washer	Rondelle
CA530001 - DW BIG20	5	P1120003	Rosetta elastica	Spring-washer	Rondelle élastique
CA530001 - DW BIG20	6	P1100003	Vite terra	Earth screw	Vis de terre
CA530001 - DW BIG20	7	P1200007	Guarnizione O.Ring	Joint O. Ring	Joint torique
CA530001 - DW BIG20	8	P1100033	Vite	Screw	Vis
CA530001 - DW BIG20	9	S3500858	Corpo motore	Motor body	Corps Moteur
CA530001 - DW BIG20	10	P1100024	Vite	Screw	Vis
CA530001 - DW BIG20	11	P1120014	Rosetta	Washer	Rondelle
CA530001 - DW BIG20	12	S3500857	Girante	Impeller	Roue
CA530001 - DW BIG20	13	P1110009	Dado	Nut	Ecrou
CA530001 - DW BIG20	14	P1210008	Anello V.Ring	V.Ring	Anneau
CA530001 - DW BIG20	15	S3500963	Anello motore	Motor Ring	Anneau Moteur
CA530001 - DW BIG20	16	P1200025	Guarnizione O.Ring	Joint O. Ring	Joint torique
CA530001 - DW BIG20	17	S3500860	Piedistallo	Pedestal	Piédestal
CA530001 - DW BIG20	18	S3500861	Fondello	Base	Base
CA530001 - DW BIG20	19	P1100097	Vite	Screw	Vis
CA530001 - DW BIG20	20	P1200118	Guarnizione O.Ring	Joint O. Ring	Joint torique
CA530001 - DW BIG20	21	S3600369	Gornito 1.1/2" M x 1.1/2"F	Elbow	Embout
CA530001 - DW BIG20	22	S3500336	Anello antistrappo	Anti-tear ring	Anneau anti-coup sec
CA530001 - DW BIG20	23	S3500335	Clip pressacavo	Cable fastener	Presse-câble
CA530001 - DW BIG20	24	P1100008	Vite	Screw	Vis
CA530001 - DW BIG20	25	P1360003	Condensatore	Capacitor	Condensateur
CA530001 - DW BIG20	26	P1230003	Passacavo d9	Grommet d9	Passa-câble d9
CA530001 - DW BIG20	27	P1380037	Galleggiante	Floatswitch	Flotteur
CA530001 - DW BIG20	28	P1330004	Cavo di alimentazione 10m. H07RN-F	Cable 10m. H07RN-F	Câble 10m. H07RN-F
CA530001 - DW BIG20	29	P1120073	Rosetta elastica	Spring-washer	Rondelle élastique