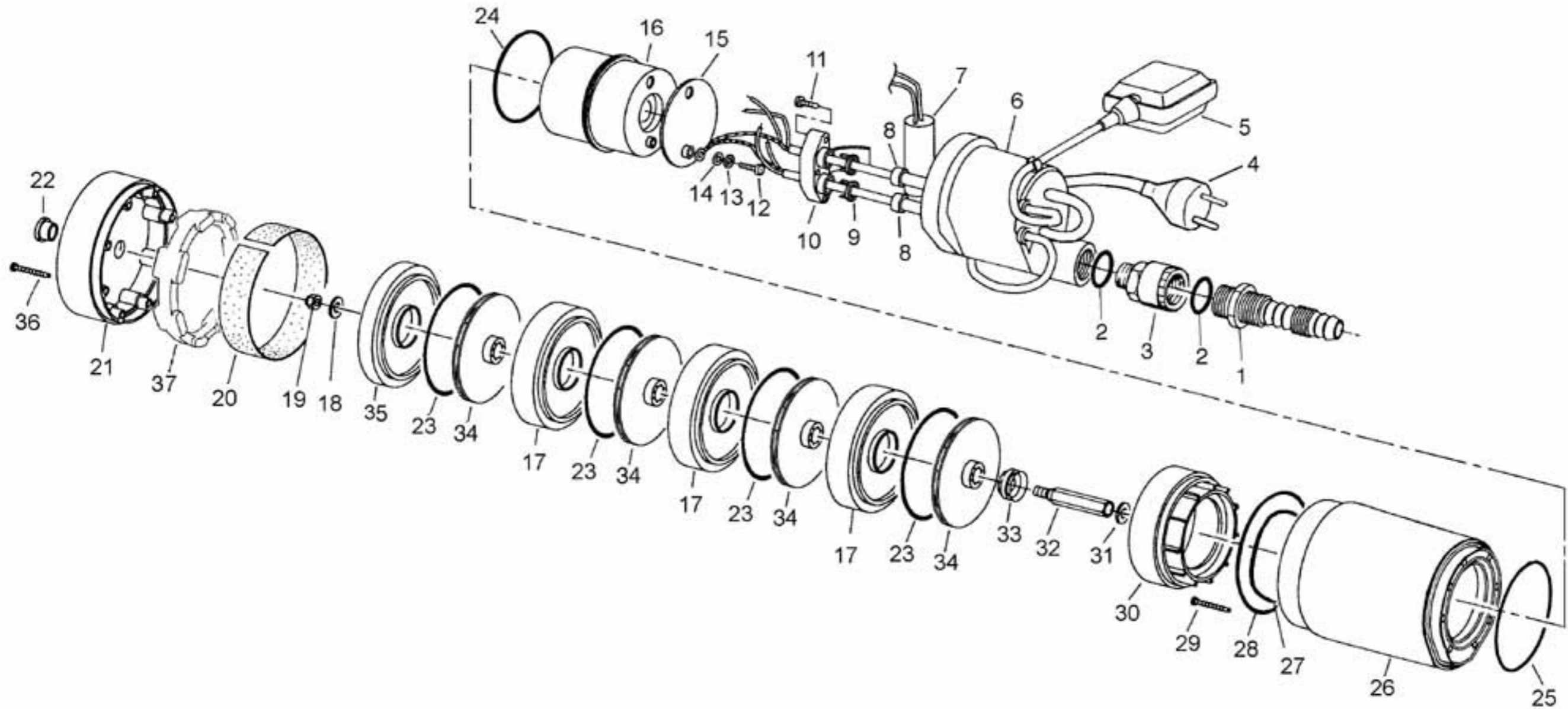


# DPW 50/4



## DPW 50/4

Model	Ref.	Art. Leader	Descrizione	Description	Description
CA604001 - DPW 50/4	1	S3600107	Raccordo portagomma	Pipe fittings	Raccord
CA604001 - DPW 50/4	2	P1200002	Guarnizione O.Ring	Joint O.Ring	Joint torique
CA604001 - DPW 50/4	3	60118885	Valvola di non ritorno M/F 1"	Non-return valve M/F 1"	Clapét anti-retour M/F 1"
CA604001 - DPW 50/4	4	P1330005	Cavo di alimentazione	Cable	Câble
CA604001 - DPW 50/4	5	P1380045	Galleggiante	Floatswitch	Flotteur
CA604001 - DPW 50/4	6	S3600187	Coperchio	Cap	Couvercle
CA604001 - DPW 50/4	7	P1360003	Condensatore	Capacitor	Condensateur
CA604001 - DPW 50/4	8	P1230003	Passacavo d9	Grommet d9	Passa-câble d9
CA604001 - DPW 50/4	9	S3500336	Anello antistrappo	Anti-tear ring	Anneau anti-coup sec
CA604001 - DPW 50/4	10	S3500335	Clip pressacavo	Cable fastener	Presse-câble
CA604001 - DPW 50/4	11	P1100008	Vite	Screw	Vis
CA604001 - DPW 50/4	12	P1100003	Vite terra	Earth screw	Vis de terre
CA604001 - DPW 50/4	13	P1120003	Rosetta elastica	Spring-washer	Rondelle élastique
CA604001 - DPW 50/4	14	P1120051	Rosetta	Washer	Rondelle
CA604001 - DPW 50/4	15	S3500106	Disco isolante	Insulation disk	Disque de isolement
CA604001 - DPW 50/4	16	G4304001	Gruppo motore	Motor	Moteur
CA604001 - DPW 50/4	17	S3250006	Diffusore	Diffuser	Diffuseur
CA604001 - DPW 50/4	18	P1120014	Rosetta	Washer	Rondelle
CA604001 - DPW 50/4	19	P1110009	Dado	Nut	Ecrou
CA604001 - DPW 50/4	20	S3220006	Anello filtro	Filter ring	Anneau filtre
CA604001 - DPW 50/4	21	S3500745	Base	Base	Base
CA604001 - DPW 50/4	22	P1230006	Tappino d12	Cap d12	Bouchon d12
CA604001 - DPW 50/4	23	P1200014	Guarnizione O.Ring	Joint O.Ring	Joint torique
CA604001 - DPW 50/4	24	P1200007	Guarnizione O.Ring	Joint O.Ring	Joint torique
CA604001 - DPW 50/4	25	P1200012	Guarnizione O.Ring	Joint O.Ring	Joint torique
CA604001 - DPW 50/4	26	S3500732	Corpo pompa	Pump housing	Corps de pompe
CA604001 - DPW 50/4	27	P1200020	Guarnizione O.Ring	Joint O.Ring	Joint torique
CA604001 - DPW 50/4	28	P1200015	Guarnizione O.Ring	Joint O.Ring	Joint torique
CA604001 - DPW 50/4	29	P1100012	Vite	Screw	Vis
CA604001 - DPW 50/4	30	S3600156	Supporto diffusori con OR	Diffuser flange	Flasque diffuseur
CA604001 - DPW 50/4	31	P1120012	Rosetta	Washer	Rondelle
CA604001 - DPW 50/4	32	S3100019	Albero esagonale	Hexagonal shaft	Arbre hexagonale
CA604001 - DPW 50/4	33	P1210005	Anello V.Ring	V. Ring	Anneau
CA604001 - DPW 50/4	34	S3250028	Girante	Impeller	Roue
CA604001 - DPW 50/4	35	S3500611	Tappo finale diffusori	Diffuser cap	Couvercle diffuseur
CA604001 - DPW 50/4	36	P1100017	Vite	Screw	Vis
CA604001 - DPW 50/4	37	S3500746	Distanziale	Spacer	