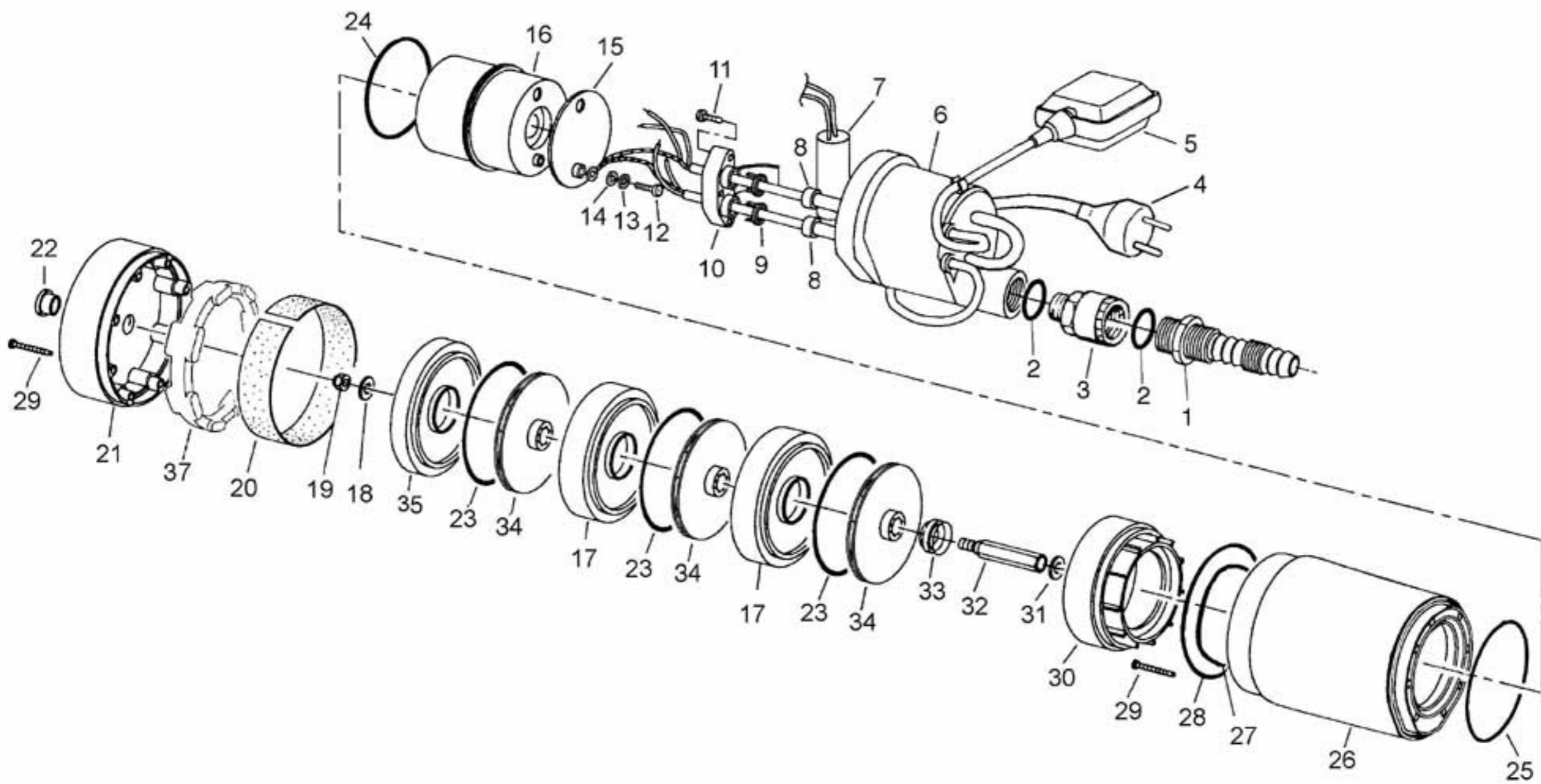


DPW 35/3



DPW 35/3

Model	Ref.	Art. Leader	Descrizione	Description	Description
CA603001 - DPW 35/3	1	S3600107	Raccordo portagomma	Pipe fittings	Raccord
CA603001 - DPW 35/3	2	P1200002	Guarnizione O.Ring	Joint O.Ring	Joint torique
CA603001 - DPW 35/3	3	60118885	Valvola di non ritorno M/F 1"	Non-return valve M/F 1"	Clapét anti-retour M/F 1"
CA603001 - DPW 35/3	4	P1330005	Cavo di alimentazione	Cable	Câble
CA603001 - DPW 35/3	5	P1380045	Galleggiante	Floatswitch	Flotteur
CA603001 - DPW 35/3	6	S3600187	Coperchio	Cap	Couvercle
CA603001 - DPW 35/3	7	P1360003	Condensatore	Capacitor	Condensateur
CA603001 - DPW 35/3	8	P1230003	Passacavo d9	Grommet d9	Passa-câble d9
CA603001 - DPW 35/3	9	S3500336	Anello antistrappo	Anti-tear ring	Anneau anti-coup sec
CA603001 - DPW 35/3	10	S3500335	Clip pressacavo	Cable fastener	Presse-câble
CA603001 - DPW 35/3	11	P1100008	Vite	Screw	Vis
CA603001 - DPW 35/3	12	P1100003	Vite terra	Earth screw	Vis de terre
CA603001 - DPW 35/3	13	P1120003	Rosetta elastica	Spring-washer	Rondelle élastique
CA603001 - DPW 35/3	14	P1120051	Rosetta	Washer	Rondelle
CA603001 - DPW 35/3	15	S3500106	Disco isolante	Insulation disk	Disque de isolement
CA603001 - DPW 35/3	16	G4304001	Gruppo motore	Motor	Moteur
CA603001 - DPW 35/3	17	S3250006	Diffusore	Diffuser	Diffuseur
CA603001 - DPW 35/3	18	P1120014	Rosetta	Washer	Rondelle
CA603001 - DPW 35/3	19	P1110009	Dado	Nut	Ecrou
CA603001 - DPW 35/3	20	S3220005	Anello filtro	Filter ring	Anneau filtre
CA603001 - DPW 35/3	21	S3500745	Base	Base	Base
CA603001 - DPW 35/3	22	P1230006	Tappino d12	Cap d12	Bouchon d12
CA603001 - DPW 35/3	23	P1200014	Guarnizione O.Ring	Joint O.Ring	Joint torique
CA603001 - DPW 35/3	24	P1200007	Guarnizione O.Ring	Joint O.Ring	Joint torique
CA603001 - DPW 35/3	25	P1200012	Guarnizione O.Ring	Joint O.Ring	Joint torique
CA603001 - DPW 35/3	26	S3500732	Corpo pompa	Pump housing	Corps de pompe
CA603001 - DPW 35/3	27	P1200020	Guarnizione O.Ring	Joint O.Ring	Joint torique
CA603001 - DPW 35/3	28	P1200015	Guarnizione O.Ring	Joint O.Ring	Joint torique
CA603001 - DPW 35/3	29	P1100012	Vite	Screw	Vis
CA603001 - DPW 35/3	30	S3600156	Supporto diffusori con OR	Diffuser flange	Flasque diffuseur
CA603001 - DPW 35/3	31	P1120012	Rosetta	Washer	Rondelle
CA603001 - DPW 35/3	32	S3100007	Albero esagonale	Hexagonal shaft	Arbre hexagonal
CA603001 - DPW 35/3	33	P1210005	Anello V.Ring	V. Ring	Anneau
CA603001 - DPW 35/3	34	S3250028	Girante	Impeller	Roue
CA603001 - DPW 35/3	35	S3500611	Tappo finale diffusori	Diffuser cap	Couvercle diffuseur