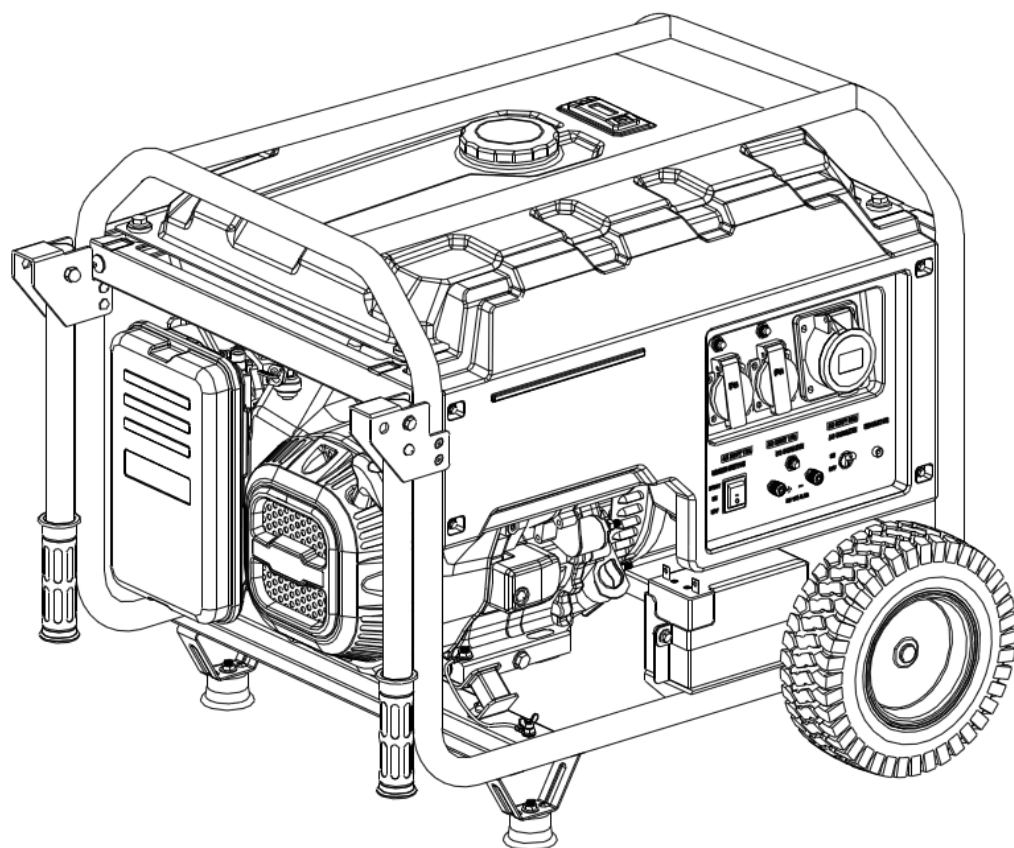


# DESPIECE GENERADOR



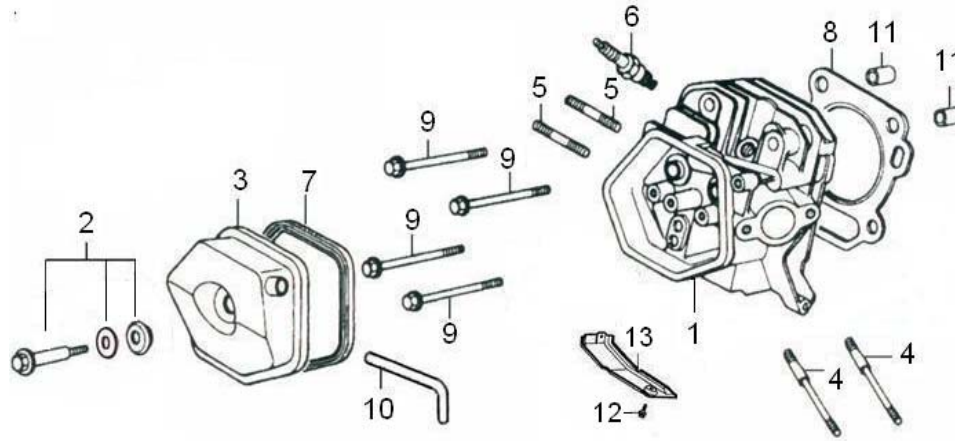
# GENERADOR

# 8000A

*Campeón*

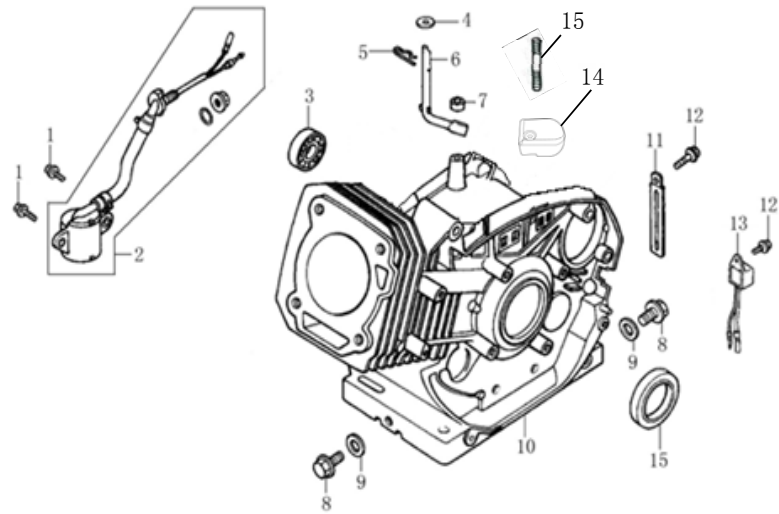
**7F** Tecnoplus





气缸头 (CYLINDER HEAD)

| 序号      | 零部件编号          | 零部件名称 (Description) |                        | 数量        | 单位       | 易损属性             |
|---------|----------------|---------------------|------------------------|-----------|----------|------------------|
| Ser. No | Part No.       |                     |                        | Reqd. QTY | UNIT     | CONSUMABLE GRADE |
| 1       | 120080338-0001 | 气缸头                 | CYLINDER HEAD COMP     | 1         | 件/PIECES | B                |
| 2       | 120420011-0001 | 气缸头盖螺栓组合            | BOLT, COVER COMP. HEAD | 1         | 套/SETS   | C                |
| 3       | 120220009-0001 | 气缸头盖组合              | COVER COMP. HEAD       | 1         | 件/PIECES | C                |
| 4       | 380180096-0001 | 双头螺栓, M6/8_L=106    | BOLT, STUD, INTAKE     | 2         | 件/PIECES | C                |
| 5       | 380180098-0001 | 双头螺栓M8X34           | BOLT, STUD, EXHAUST    | 2         | 件/PIECES | C                |
| 6       | 270960014-0001 | 火花塞                 | SPARK PLUG             | 1         | 件/PIECES | A                |
| 7       | 380840425-0001 | 密封圈                 | SEAL RING              | 1         | 件/PIECES | A                |
| 8       | 120150141-0001 | 气缸头密封垫              | GASKET, CYLINDER       | 1         | 件/PIECES | A                |
| 9       | 380140337-0001 | 六角头法兰面螺栓M10X80      | BOLT, FLANGE           | 4         | 件/PIECES | C                |
| 10      | 380740461-0001 | 通气管                 | TUBE, BREATHER         | 1         | 件/PIECES | A                |
| 11      | 380600116-0001 | 定位销                 | PIN                    | 2         | 件/PIECES | C                |
| 12      | 380140001-0006 | 六角头法兰面螺栓M6×12       | BOLT, FLANGE M6×12     | 1         | 件/PIECES | C                |
| 13      | 160190006-0001 | 空气导流罩               | SHROUD                 | 1         | 件/PIECES | C                |
|         |                |                     |                        |           |          |                  |
|         |                |                     |                        |           |          |                  |

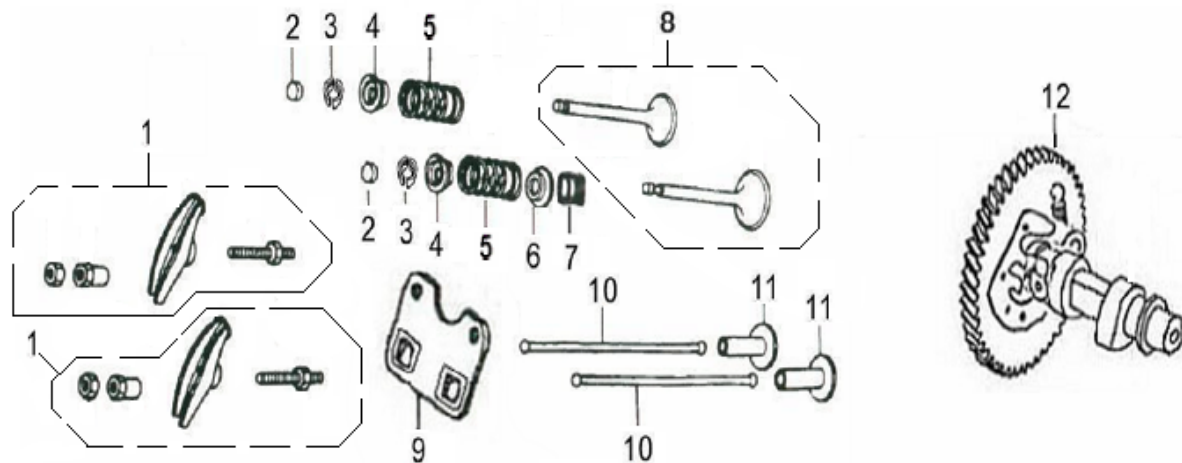


曲轴箱体 (CRANKCASE)

| 序号      | 零部件编号          | 零部件名称 (Description) |                            | 数量        | 单位       | 易损属性             |
|---------|----------------|---------------------|----------------------------|-----------|----------|------------------|
| Ser. No | Part No.       |                     |                            | Reqd. QTY | UNIT     | CONSUMABLE GRADE |
| 1       | 380140215-0003 | 螺栓 M6×14            | BOLT, FLANGE, 6×14         | 2         | 件/PIECES | C                |
| 2       | 281850152-0001 | 油位传感器               | SWITCH ASSY., OIL LEVEL    | 1         | 件/PIECES | B                |
| 3       | 380630099-0001 | 轴承6202              | BEARING, RADIAL BALL, 6202 | 1         | 件/PIECES | B                |
| 4       | 380450522-0001 | 平垫圈 8_16X1.2        | WASHER, 8*16*1.2           | 1         | 件/PIECES | C                |
| 5       | 381350004-0001 | 销夹                  | PIN, LOCK, 10MM            | 1         | 件/PIECES | A                |
| 6       | 171630003-0001 | 调速臂                 | SHAFT, GOVERNOR ARM        | 1         | 件/PIECES | B                |
| 7       | 380650339-0001 | 油封                  | OIL SEAL, φ8×φ14×4         | 1         | 件/PIECES | B                |
| 8       | 110260024-0001 | 密封螺塞                | BOLT, DRAIN PLUG           | 2         | 件/PIECES | C                |
| 9       | 380450516-0001 | 平垫圈                 | WASHER                     | 2         | 件/PIECES | C                |
| 10      | 110810220-0001 | 曲轴箱体                | CRANKCASE                  | 1         | 件/PIECES | B                |
| 11      | 380940346-0001 | 线夹                  | CABLE CLEAT                | 1         | 件/PIECES | B                |
| 12      | 380140001-0006 | 螺栓 M6X12            | BOLT, FLANGE, 6×12         | 2         | 件/PIECES | C                |
| 13      | 281890001-0001 | 机油保护器               | ALERT UNIT, OIL            | 1         | 件/PIECES | A                |
| 14      | 284070007-0001 | 传感器外罩               |                            | 1         | 件/PIECES | B                |
| 15      | 380180166-0001 | 双头螺栓                | BOLT, STUD, INTAKE         | 1         | 件/PIECES | C                |

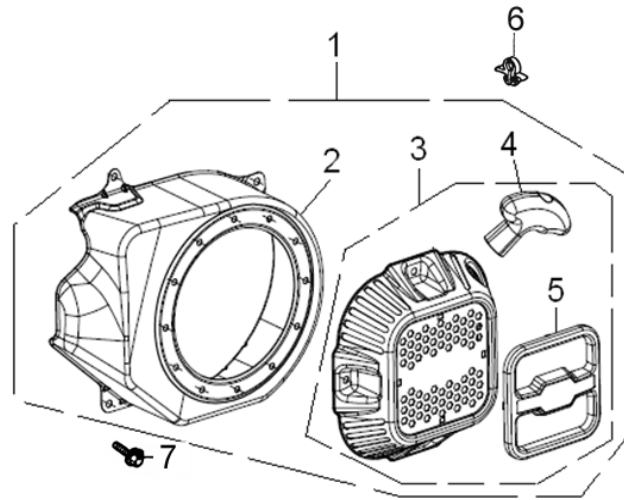






配气系统 (ROCKER, CAMSHAFT)

| 序号      | 零部件编号          | 零部件名称 (Description) |                            | 数量        | 单位       | 易损属性             |
|---------|----------------|---------------------|----------------------------|-----------|----------|------------------|
| Ser. No | Part No.       |                     |                            | Reqd. QTY | UNIT     | CONSUMABLE GRADE |
| 1       | 140450023-0001 | 气门摇臂组合              | ROCKER ARM ASSY.           | 2         | 套/SETS   | B                |
| 2       | 140320002-0001 | 气门调整帽               | ROTATOR, VALVE             | 2         | 件/PIECES | B                |
| 3       | 140390015-0001 | 气门锁夹                | VALVE LOCKER               | 4         | 件/PIECES | B                |
| 4       | 140380021-0001 | 气门弹簧座               | RETAINER, EX. VALVE SPRING | 2         | 件/PIECES | B                |
| 5       | 140340025-0001 | 气门内弹簧               | SPRING, VALVE              | 2         | 件/PIECES | B                |
| 6       | 140360010-0001 | 气门内弹簧座圈             | SEAT, VALVE SPRING         | 1         | 件/PIECES | B                |
| 7       | 140400012-0001 | 挡油罩                 | SEAL, VALVE STEM           | 1         | 件/PIECES | B                |
| 8       | 500550032-0001 | 气门套件                | VALVE ASSY.                | 1         | 套/SETS   | B                |
| 9       | 140710002-0001 | 推杆限位板组合             | PLATE ASSY.                | 1         | 件/PIECES | B                |
| 10      | 140670006-0001 | 挺杆组合                | PUSH ROD                   | 2         | 件/PIECES | B                |
| 11      | 140690004-0001 | 挺柱                  | LIFTER, VALVE              | 2         | 件/PIECES | B                |
| 12      | 140020056-0001 | 凸轮轴组合               | CAMSHAFT ASSY.             | 1         | 件/PIECES | B                |
|         |                |                     |                            |           |          |                  |
|         |                |                     |                            |           |          |                  |
|         |                |                     |                            |           |          |                  |



启动器 (STARTER)

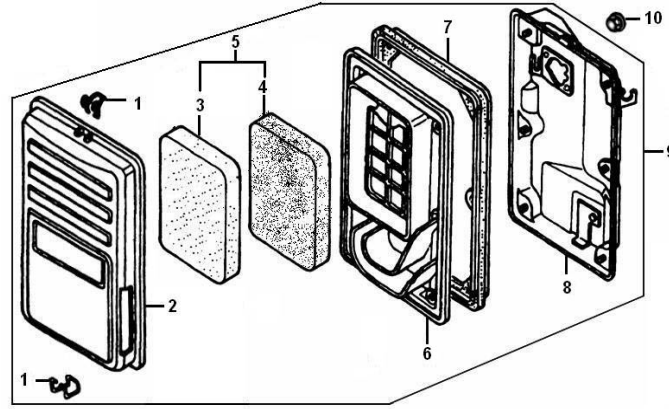
| 序号      | 零部件编号           | 零部件名称 (Description) |                               | 数量        | 单位       | 易损属性             |
|---------|-----------------|---------------------|-------------------------------|-----------|----------|------------------|
| Ser. No | Part No.        |                     |                               | Reqd. QTY | UNIT     | CONSUMABLE GRADE |
| 1       | 193490247-0001  | 手起动组件               | RECOIL STARTER COMP. (ROJO)   | 1         | 套/SETS   | B                |
| 1       | 193490247-010   | 手起动组件               | RECOIL STARTER COMP. (AZUL)   | 1         | 套/SETS   | B                |
| 2       | 160210091-T61F  | 风扇罩部件               | COVER COMP ., FAN (ROJO)      | 1         | 件/PIECES | C                |
| 2       | 160210091-T61FB | 风扇罩部件               | COVER COMP ., FAN (AZUL)      | 1         | 件/PIECES | C                |
| 3       | 193500106-T61F  | 手起动部件               | STARTER ASSY. (ROJO)          | 1         | 套/SETS   | B                |
| 3       | 193500106-T61FB | 手起动部件               | STARTER ASSY. (AZUL)          | 1         | 套/SETS   | B                |
| 4       | 193560004-0002  | 拉绳手柄                | KNOB, RECIOL STARTER (Yellow) | 1         | 件/PIECES | B                |
| 5       | 193690018-T61F  | 启动器装饰罩              | DECORATE COVER, RECOIL        | 1         | 件/PIECES | B                |
| 6       | 380930027-0001  | 定位线卡                | CLIP, WIRE HARNESS            | 1         | 件/PIECES | A                |
| 7       | 380140001-0006  | 六角头法兰面螺栓M6X12       | BOLT, FLANGE                  | 5         | 件/PIECES | C                |
|         |                 |                     |                               |           |          |                  |
|         |                 |                     |                               |           |          |                  |
|         |                 |                     |                               |           |          |                  |
|         |                 |                     |                               |           |          |                  |
|         |                 |                     |                               |           |          |                  |









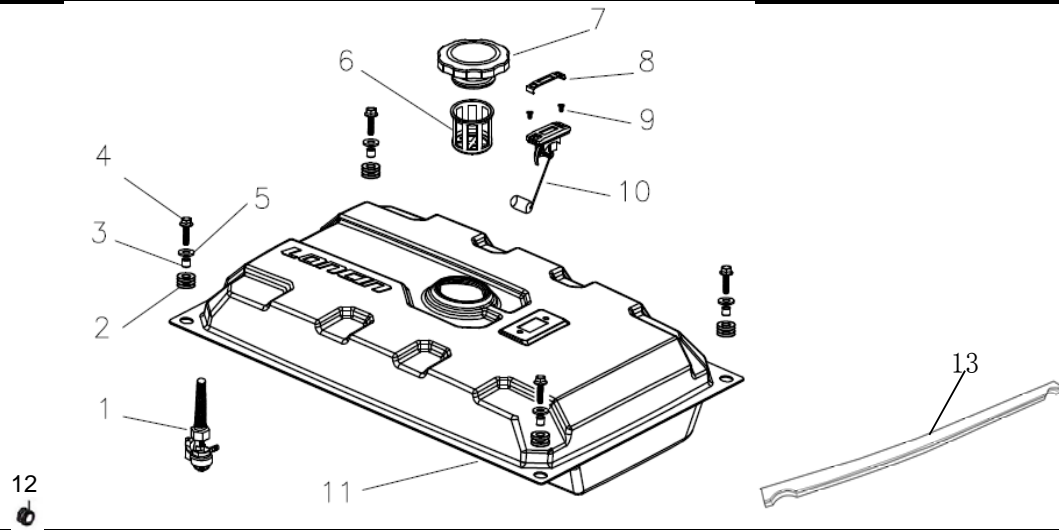


### 空滤器 (Air cleaner)

| 序号<br>No. | 零部件件号<br>Part No. | 零部件名称   | Description                | 数量<br>Reqd. QTY | 单位<br>UNIT | 易损属性<br>CONSUMABLE GRADE |
|-----------|-------------------|---------|----------------------------|-----------------|------------|--------------------------|
| 1         | 180170011-0001    | 空滤器盖板卡子 | CLIP A, AIR CLEANER WIRE   | 2               | 件/PIECES   | B                        |
| 2         | 180070088-0001    | 空滤器壳体盖  | COVER, AIR CLEANER         | 1               | 件/PIECES   | B                        |
| 3         | 180130121-0001    | 空滤器滤芯   | ELEMENT, AIR CLEANER       | 1               | 件/PIECES   | A                        |
| 4         | 180130118-0001    | 空滤器滤芯   | ELEMENT, AIR CLEANER       | 1               | 件/PIECES   | A                        |
| 5         | 180100036-0001    | 空滤器滤芯组合 | ELEMENT, AIR CLEANER ASSY. | 1               | 件/PIECES   | A                        |
| 6         | 180330021-0001    | 滤芯支撑板体  | SEPARATOR, AIR CLEANER     | 1               | 件/PIECES   | B                        |
| 7         | 380840434-0001    | 密封圈     | SEAL, AIR CLEANER          | 1               | 件/PIECES   | A                        |
| 8         | 180280006-0001    | 空滤器座    | CASE COMP., AIR CLEANER    | 1               | 件/PIECES   | B                        |
| 9         | 180020318-0001    | 空滤器     | AIR CLEANER                | 1               | 套/SETS     | B                        |
| 10        | 380370048-0001    | 六角法兰面螺母 | NUT, FLANGE                | 2               | 件/PIECES   | C                        |
|           |                   |         |                            |                 |            |                          |
|           |                   |         |                            |                 |            |                          |
|           |                   |         |                            |                 |            |                          |
|           |                   |         |                            |                 |            |                          |

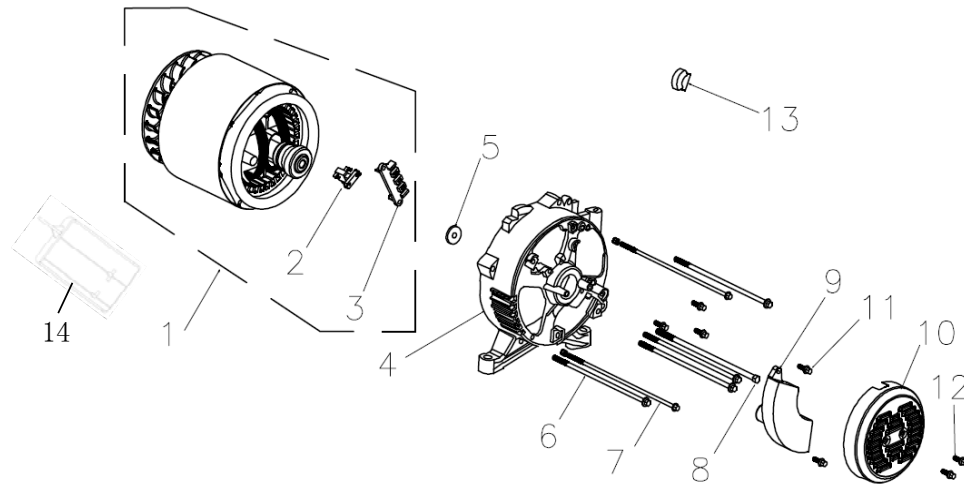






油箱 (FUEL TANK)

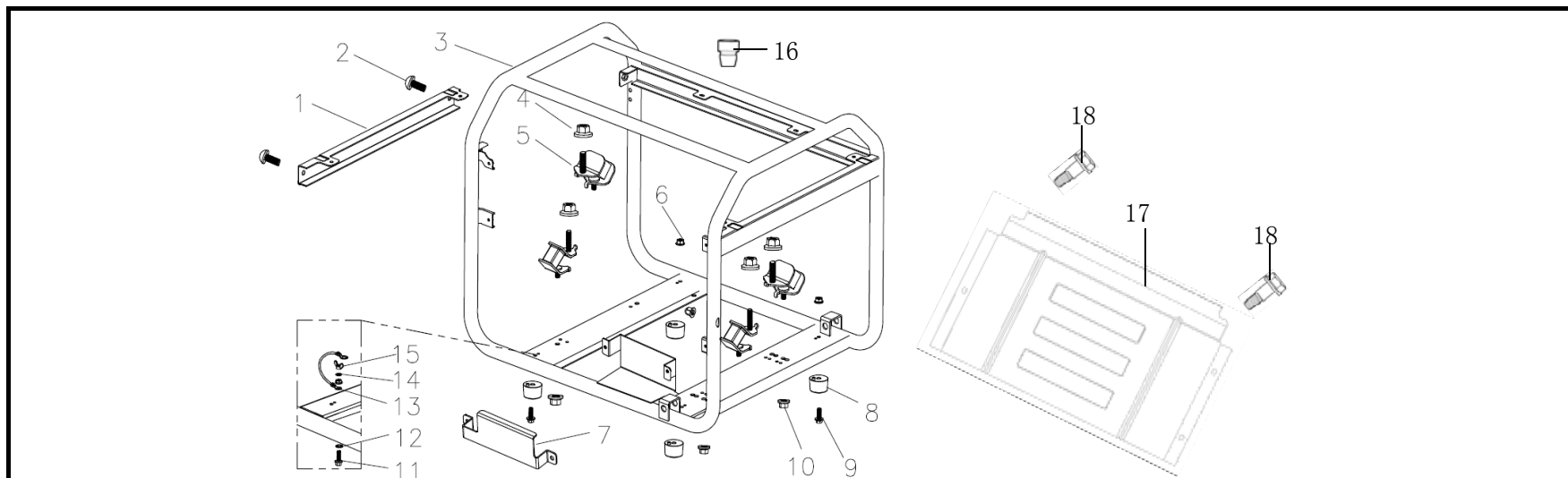
| 序号      | 零部件编号           | 零部件名称 (Description) |                         | 数量        | 单位       | 易损属性             |
|---------|-----------------|---------------------|-------------------------|-----------|----------|------------------|
| Ser. No | Part No.        |                     |                         | Reqd. QTY | UNIT     | CONSUMABLE GRADE |
| 1       | 170980057-0001  | 油开关部件               | FUEL VALVE              | 1         | 件/PIECES | B                |
| 2       | 170700050-0001  | 油箱减震胶垫              | RUBBER, FUEL CUSHION    | 4         | 件/PIECES | A                |
| 3       | 170710014-0001  | 油箱减震垫衬管             | COLLAR, TANK CUSHION    | 4         | 件/PIECES | C                |
| 4       | 380140103-0004  | 六角法兰面螺栓M6×25        | BOLT, FLANGE, M6×25     | 4         | 件/PIECES | C                |
| 5       | 380450444-0002  | 平垫圈                 | WASHER, FLAT            | 4         | 件/PIECES | C                |
| 6       | 170720014-0001  | 注油口滤网组合             | FILTER, FUEL TANK       | 1         | 件/PIECES | A                |
| 7       | 170870044-0009  | 油箱盖                 | CAP COMP., FUEL FILLER  | 1         | 件/PIECES | B                |
| 8       | 281870016-0001  | 油传感器卡子              | LABEL, FUEL METER       | 1         | 件/PIECES | B                |
| 9       | 380220044-0002  | 十字槽沉头螺钉M5×12        | SCREW, FLAT, M5×12      | 2         | 件/PIECES | C                |
| 10      | 170740017-0001  | 油标部件                | FUEL METER              | 1         | 件/PIECES | B                |
| 11      | 170501013-0003  | 油箱                  | FUEL TANK (ROJO)        | 1         | 件/PIECES | B                |
| 11      | 170501013-0003B | 油箱                  | FUEL TANK (AZUL)        | 1         | 件/PIECES | B                |
| 12      | 380770188-0001  | 保护套管                | PROTECTIVE SLEEVE       | 1         | 件/PIECES | A                |
| 13      | 172820008-0001  | 油箱胶条                | RUBBER STRIP, FUEL TANK | 1         | 件/PIECES | A                |
|         |                 |                     |                         |           |          |                  |



电机部件 (ALTERNATOR)

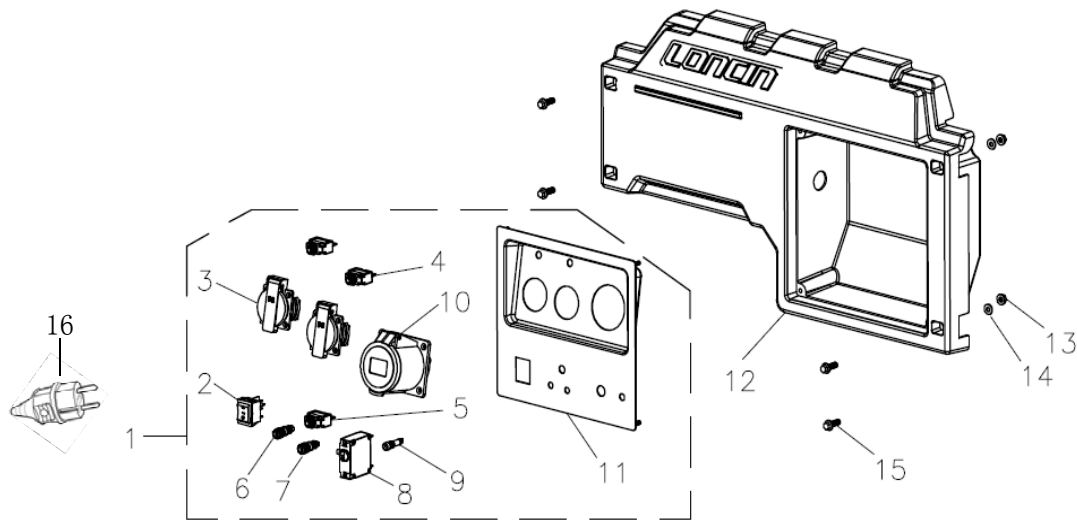
| 序号      | 零部件编号          | 零部件名称 (Description) |                             | 数量        | 单位       | 易损属性             |
|---------|----------------|---------------------|-----------------------------|-----------|----------|------------------|
| Ser. No | Part No.       |                     |                             | Reqd. QTY | UNIT     | CONSUMABLE GRADE |
| 1       | 660080347-0001 | 电机部件                | ALTERNATOR                  | 1         | 套/SETS   | B                |
| 2       | 660140001-0001 | 电压接线板               | TERMINAL, VOLT CHANGE       | 1         | 件/PIECES | C                |
| 3       | 660120001-0001 | 碳刷组合                | BRUSH                       | 1         | 件/PIECES | A                |
| 4       | 660010002-0001 | 电机后支撑               | HOUSING, RR                 | 1         | 件/PIECES | C                |
| 5       | 380450515-0001 | 平垫圈                 | WASHER, FLAT                | 1         | 件/PIECES | C                |
| 6       | 380140349-0001 | 六角头法兰面螺栓M6*185      | BOLT, FLANGE                | 4         | 件/PIECES | C                |
| 7       | 380140496-0001 | 六角头法兰面螺栓M5*220      | BOLT, FLANGE,               | 2         | 件/PIECES | C                |
| 8       | 380070185-0001 | 六角头螺栓M10*275        | BOLT                        | 1         | 件/PIECES | C                |
| 9       | 660150105-0001 | 调压器                 | AVR                         | 1         | 件/PIECES | A                |
| 10      | 660020002-0022 | 电机后端盖               | COVER, GENERATOR END (ROJO) | 1         | 件/PIECES | C                |
| 10      | 660020002-0005 | 电机后端盖               | COVER, GENERATOR END (AZUL) | 1         | 件/PIECES | C                |
| 11      | 380140053-0002 | 六角头法兰面螺栓M5*16       | BOLT, FLANGE                | 3         | 件/PIECES | C                |
| 12      | 380140167-0002 | 六角头法兰面螺栓M5*12       | BOLT, FLANGE                | 6         | 件/PIECES | C                |
| 13      | 660030002-0001 | 电机挡块                | COVER, GENERATOR            | 1         | 件/PIECES | C                |
| 14      | 660070001-0001 | 电机盖板                |                             | 1         | 件/PIECES | C                |





机架 (FRAME)

| 序号      | 零部件编号          | 零部件名称 (Description) |                        | 数量        | 单位       | 易损属性             |
|---------|----------------|---------------------|------------------------|-----------|----------|------------------|
| Ser. No | Part No.)      |                     |                        | Reqd. QTY | UNIT     | CONSUMABLE GRADE |
| 1       | 300730024-0003 | 机架横档                | FRAME RAIL             | 1         | 件/PIECES | C                |
| 2       | 380190191-0001 | 内六角螺钉M8*16          | SOKET HEAD CAP SCREW   | 2         | 件/PIECES | C                |
| 3       | 300720399-0001 | 机架部件                | FRAME                  | 1         | 件/PIECES | C                |
| 4       | 380370077-0001 | 六角法兰面螺母M10          | NUT, FLANGE, M10       | 4         | 件/PIECES | C                |
| 5       | 300770023-0001 | 机架减震座               | RUBBER , BOTTOM        | 1         | 套/SETS   | B                |
| 6       | 380370048-0001 | 六角法兰面螺母M6           | NUT, FLANGE, M6        | 4         | 件/PIECES | C                |
| 7       | 271170023-0003 | 蓄电池压架               | PLATE, BATTERY SETTING | 1         | 件/PIECES | C                |
| 8       | 300770005-0001 | 机架减震座               | RUBBER , BOTTOM        | 4         | 件/PIECES | A                |
| 9       | 380140215-0003 | 六角法兰面螺栓M6*14        | BOLT, FLANGE, M6*14    | 3         | 件/PIECES | C                |
| 10      | 380370007-0004 | 六角法兰面螺母M8           | NUT, FLANGE, M8        | 4         | 件/PIECES | C                |
| 11      | 380140102-0004 | 六角法兰面螺栓M6*20        | BOLT, FLANGE, M6*20    | 1         | 件/PIECES | C                |
| 12      | 380490022-0002 | 锁紧垫圈                | WASHING, LOCK          | 1         | 件/PIECES | C                |
| 13      | 272980009-0001 | 通机接地线               | GROUND LINE            | 1         | 件/PIECES | A                |
| 14      | 380450531-0001 | 平垫圈                 | WASHING                | 1         | 件/PIECES | C                |
| 15      | 380440003-0001 | 蝶形螺母                | NUT                    | 1         | 件/PIECES | C                |
| 16      | 170700051-0001 | 油箱减震胶垫              | RUBBER TANK CUSHION    | 2         | 件/PIECES | A                |
| 17      | 303070041-0001 | 机架护板                | FRAME SHEET GUARD      | 1         | 件/PIECES | C                |
| 18      | 303480002-0001 | 机架护板螺栓              |                        | 2         | 件/PIECES | C                |
| --      | TW00630024     |                     | RUEDA                  | 2         | 件/PIECES | B                |



控制面部件 (CONTROL PANEL ASSY.)

| 序号      | 零部件编号           | 零部件名称 (Description) |                    | 数量        | 单位       | 易损属性             |
|---------|-----------------|---------------------|--------------------|-----------|----------|------------------|
| Ser. No | Part No.        |                     |                    | Reqd. QTY | UNIT     | CONSUMABLE GRADE |
| 1       | CON-PANEL-8000A | 控制面板部件              | COTROL PANEL ASSY. | 1         | 套/SETS   | B                |
| 2       | 271810002-0001  | 启动控制开关              | ENGINE SWITCH      | 1         | 件/PIECES | A                |
| 3       | 271890001-0001  | 插座 (欧式16A)          | SOCKET             | 2         | 件/PIECES | B                |
| 4       | 271290055-0001  | 过流保护器16A            | CIRCUIT BRERKER    | 2         | 件/PIECES | A                |
| 5       | 271290024-0001  | 过流保护器10A            | CIRCUIT BRERKER    | 1         | 件/PIECES | A                |
| 6       | 272080001-0001  | 正极接线柱组合             | POST , ARODE       | 1         | 件/PIECES | C                |
| 7       | 272090001-0001  | 负极接线柱组合             | POST , CATHODE     | 1         | 件/PIECES | C                |
| 8       | 271290121-0001  | 过流 (断路) 保护器27A      | CIRCUIT BRERKER    | 1         | 件/PIECES | A                |
| 9       | 283730004-0001  | 电压指示灯               | LAMP               | 1         | 件/PIECES | A                |
| 10      | 271890025-0001  | 插座 (欧式工业32A)        | SOCKET             | 1         | 件/PIECES | B                |
| 11      | 271860138-T57F  | 控制面板                | PANEL              | 1         | 件/PIECES | C                |
| 12      | 271970014-0001  | 面板座                 | PANEL BACK COVER   | 1         | 件/PIECES | B                |
| 13      | 380370047-0003  | 六角法兰面螺母M4           | NUT                | 4         | 件/PIECES | C                |
| 14      | 380450526-0001  | 平垫圈                 | WASHER             | 4         | 件/PIECES | C                |
| 15      | 380140215-0003  | 六角法兰面螺栓M6*14        | NUT                | 4         | 件/PIECES | C                |
| 16      | 271880005-0001  | 电源插头组合              | PLUG               | 2         | 件/PIECES | B                |
| --      | 272890003-0002  |                     | CUENTA HORAS       | 1         | 件/PIECES | B                |