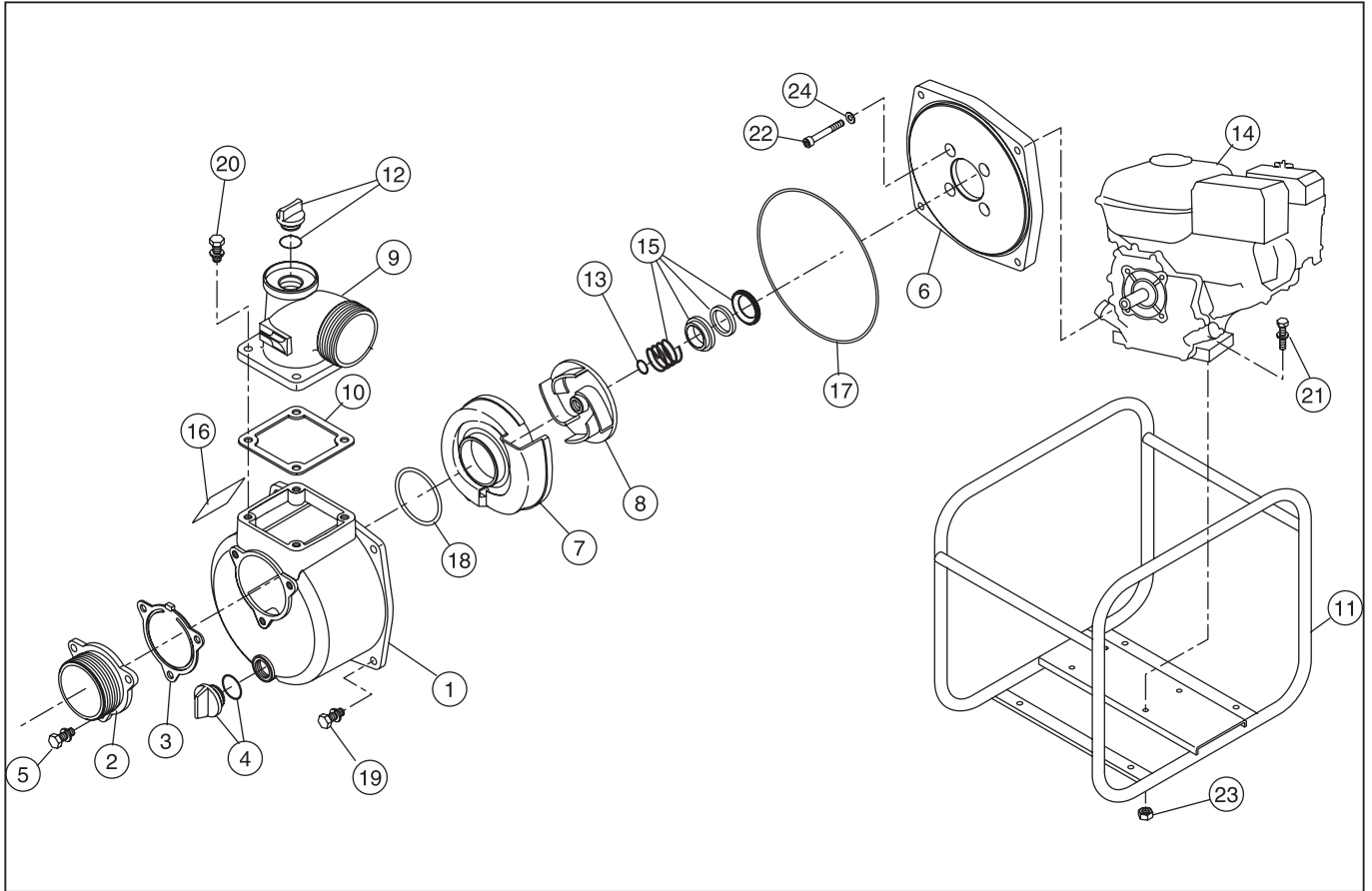


# SEH-80X



DWG NO. 011939912 MODEL:SEH-80X FORM:SEH-80X-BAF

No.	PARTS CODE	PARTS NAME	QTY	MATERIAL	SIZE	REMARKS
1	012019601	Pump Casing	1	ADC		
2	011287601	Suction Flange	1	ADC		
3	011279901	Check Valve	1	NBR		
4	011807802	20A Plug Set	1			
5	743119061	Bolt M10X25	3	SWRM	M10X25	
6	011279601	Flange Bracket	1	ADC		
7	011317603	Volute Casing	1	FC		
8	011053202	Impeller	1	FC		
9	011136103	Delivery Flange	1			
10	011058402	Flange Packing	1	CR		
11	011846901	Base Set	1			
12	011807901	25A Plug Set	1			
13	011049102	Adjusting Washer	3	BSP		
14	011430302	Engine(With Oil Alert)	1	HONDA GX160U1WKT2	CE · USA	
15	011066402	Mechanical Seal	1		φ 20	
16	011359203	Name Plate	1	T FILM		
17	011501501	O-Ring 1517-46.5	1	NBR	1517-46.5	
18	011398901	O-Ring P74	1	NBR	P74	
19	743119061	Bolt M10X25	4	SWRM	M10X25	
20	743119063	Bolt M10X30	4	SWRM	M10X30	
21	743119053	Bolt M8X40	4	SWRM	M8X40	
22	734532076	Socket Bolt M8X60	4	SCM	M8X60	
23	827419008	Nut M8	4	SWRM	M8	
24	854255008	Seal Washer φ 8	4		φ 8	

◆ Bare engine can not be supplied