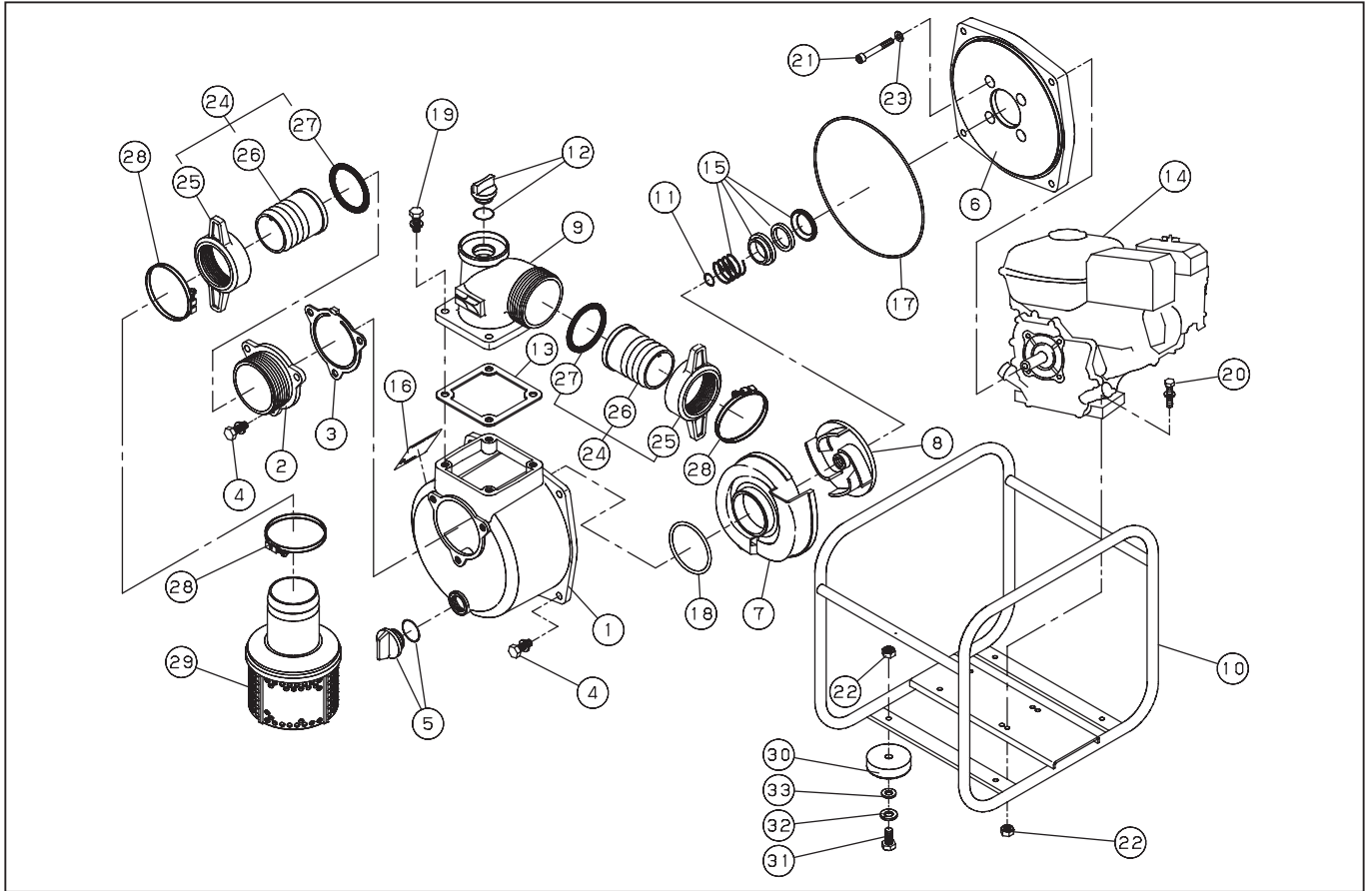


EMP305

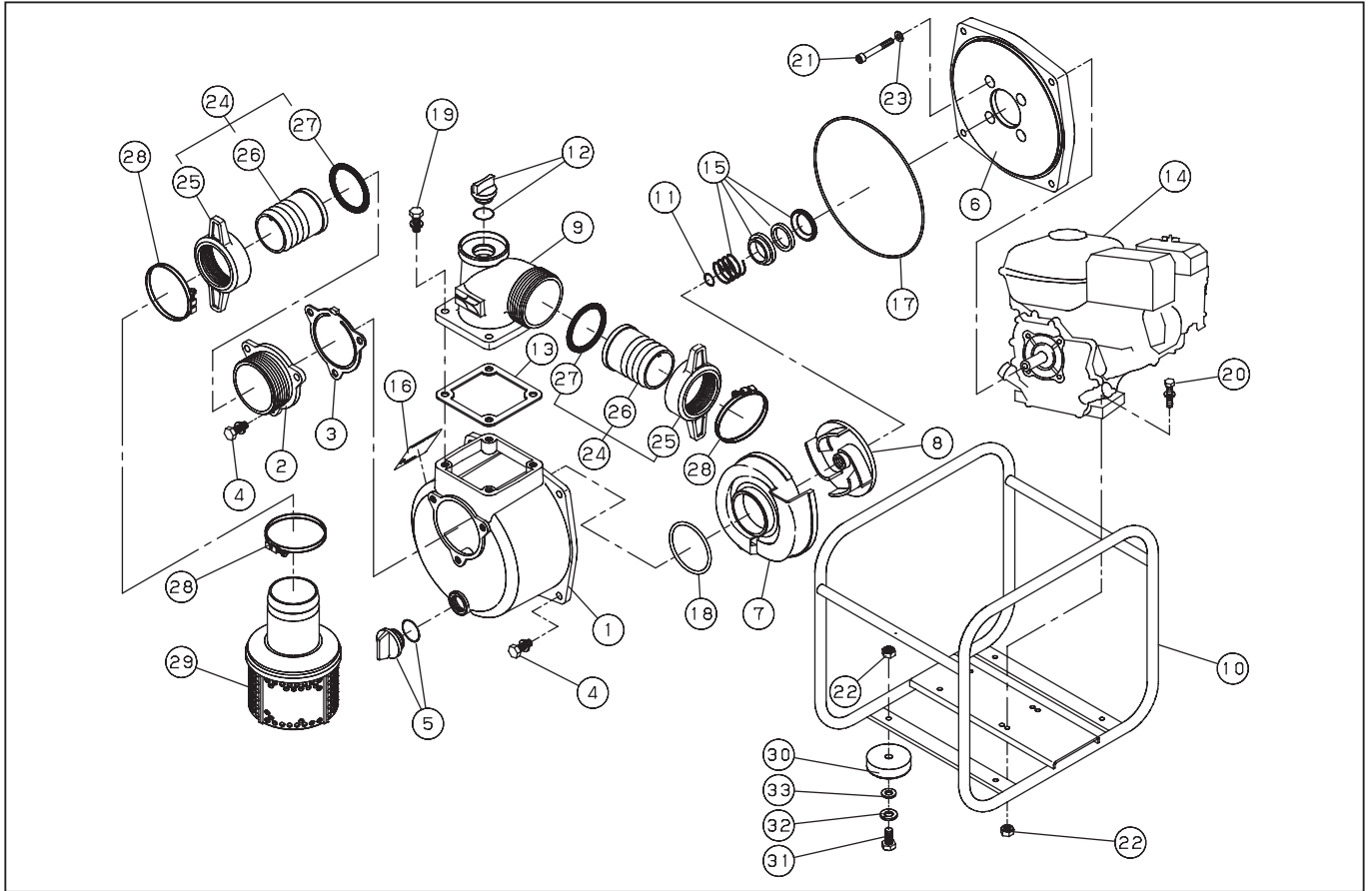


DWG No. 012897801 MODEL:SEH-80X FORM:SEH-80X-BEP (EMP305)

No.	PARTS CODE	PARTS NAME	QTY	MATERIAL	SIZE	REMARKS
1	012019601	Pump Casing	1	ADC		
2	011279701	Suction Flange	1	ADC		
3	011279901	Check Valve	1	NBR		
4	743119061	Bolt	7	SWRM	M10X25	
5	011807802	20A Plug Set	1			
6	011279601	Flange Bracket	1	ADC		
7	011317603	Volute Casing	1	FC		
8	011053202	Impeller	1	FC		
9	011057003	Delivery Flange	1	ADC		
10	011708801	Base Set	1			
11	011049102	Adjusting Washer	3	BSP		
12	011807901	25A Plug Set	1			
13	011058402	Flange Packing	1	CR		
14	011430302	Engine	1	HONDA GX160U1WKT2		
15	011066402	Mechanical Seal	1		φ 20	
16	012074801	Name Plate	1			
17	011501501	O-Ring	1	NBR	1517-46.5	
18	011398901	O-Ring	1	NBR	P74	
19	743119063	Bolt	4	SWRM	M10X30	
20	743119053	Bolt	4	SWRM	M8X40	
21	734532076	Socket Bolt	4	SCM	M8X60	
22	827419008	Nut	8	SWRM	M8	
23	854255008	Seal Washer	4		φ 8	
24	011702802	Coupling Set	2	ABS		
25	011437502	Coupling	2	ABS		
26	011030105	Hose Nipple	2	ABS		
27	011437801	Coupling Packing	2	NBR		
28	940019090	Hose Band	3		φ 90	
29	011819501	Strainer Set	1	PP		
30	011051502	Cushion Rubber	4	F-23		

◆ Bare engine can not be supplied

EMP305



DWG No. 012897801 MODEL:SEH-80X FORM:SEH-80X-BEP (EMP305)

No.	PARTS CODE	PARTS NAME	QTY	MATERIAL	SIZE	REMARKS
31	735719148	Bolt	4		M8X20	
32	843822008	Spring Washer	4		φ 8	
33	846007008	Washer	4		φ 8	
	012074501	Packing Case	1			
	011476909	Operation Manual	1			

◆ Bare engine can not be supplied