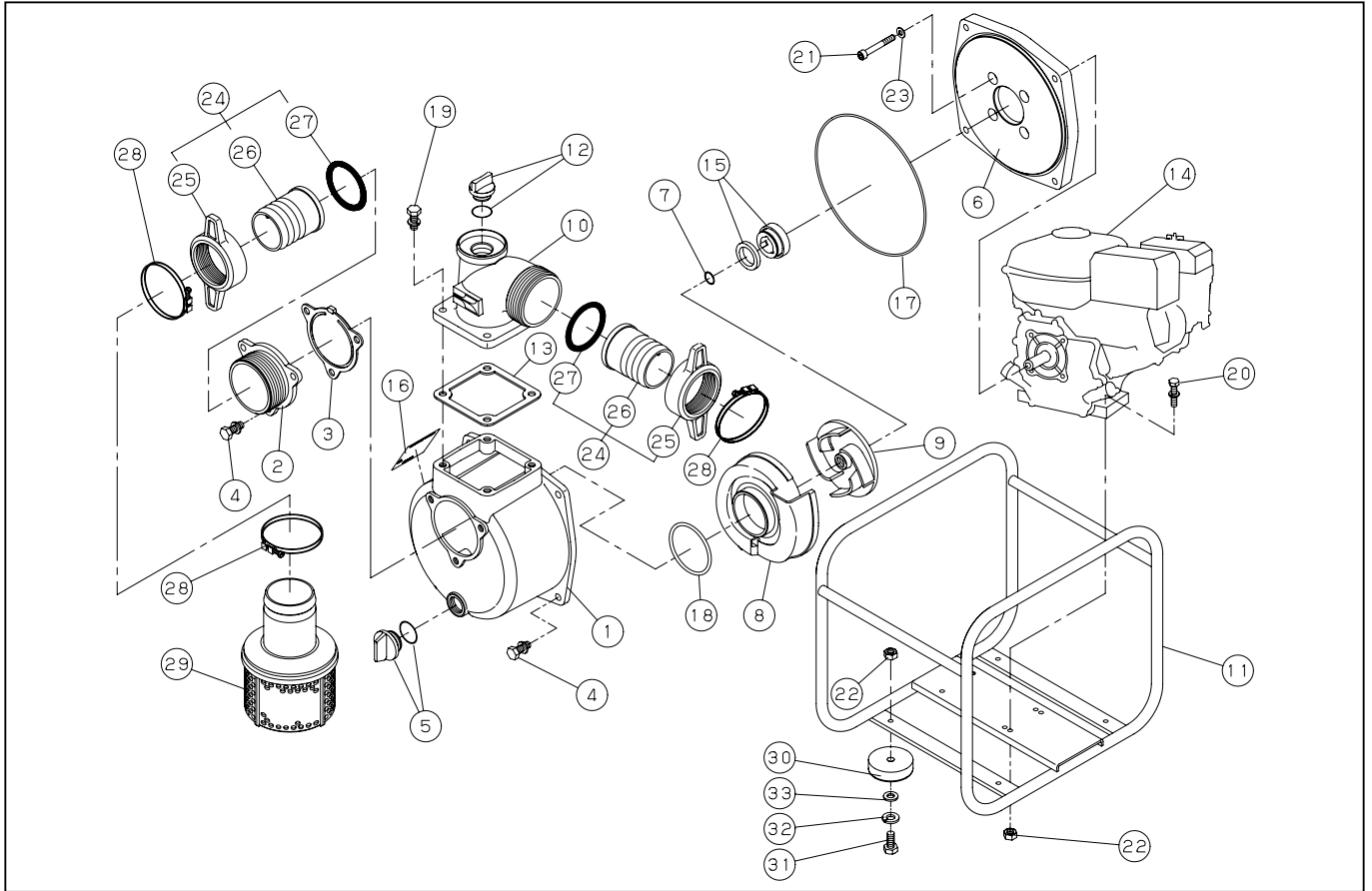


SEH-80X

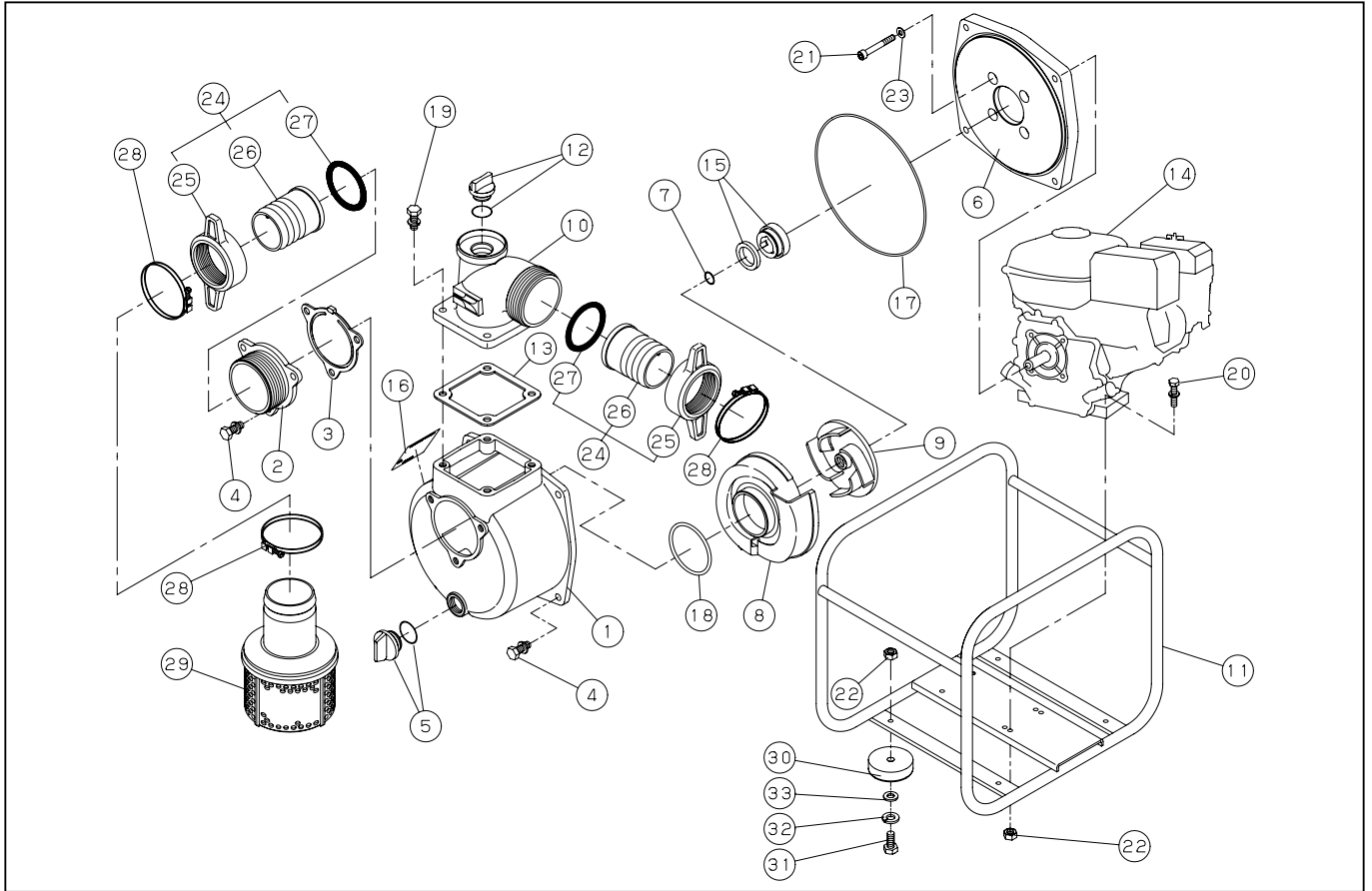


DWG No.066852304 MODEL:SEH-80X (GX160TIWKS) FORM:SEH-80X-BDS-0

No.	PARTS CODE	PARTS NAME	QTY	MATERIAL	SIZE	REMARKS
1	011279503	PUMP CASING	1	ADC		
2	011279701	SUCTION FLANGE	1	ADC		
3	011279901	CHECK VALVE	1	NBR		
4	743119061	HEXAGON BOLT	7	SWRM	M10X25	
5	011807802	20A PLUG SET	1			
6	011526902	FLANGE BRACKET	1	ADC		
7	011551001	IMPELLER ADJUSTING WASHER	3	BSP		
8	011437902	VOLUTE CASING	1	FC		
9	011661701	IMPELLER	1	FC		
10	011057003	DELIVERY FLANGE	1	ADC		
11	011782602	BASE SET	1			
12	011807901	25A PLUG SET	1			
13	011058402	DELIVERY FLANGE PACKING	1	CR		
14	011680701	ENGINE	1	HONDA GX160T1WKS		
15	011409001	MECHANICAL SEAL	1	EH790-020		
16	011680902	NAME PLATE	1			
17	011501501	O-RING	1	NBR	1517-46.5	
18	011398901	O-RING	1	NBR	P74	
19	743119063	HEXAGON BOLT	7	SWRM	M10X30	
20	743119053	HEXAGON BOLT	4	SWRM	M8X40	
21	734532066	HEXAGON SOCKET BOLT	4	SCM	M8X25	
22	827419008	HEXAGON NUT	8	SWRM	M8	
23	854255008	SEAL WASHER	4		φ 8	
24	011702802	COUPLING SET	2	ABS		
25	011437502	COUPLING	2	ABS		
26	011030105	HOSE NIPPLE	2	ABS		
27	011437801	COUPLING PACKING	2	NBR		
28	940019090	HOSE BAND	3		φ 90	
29	011819501	STRAINER SET	1	PP		
30	011051502	50L CUSHION RUBBER	4	F-23		

◆ Bare engine can not be supplied

SEH-80X



DWG No.066852304 MODEL:SEH-80X (GX160TIWKS) FORM:SEH-80X-BDS-0

No.	PARTS CODE	PARTS NAME	QTY	MATERIAL	SIZE	REMARKS
31	735719148	HEXAGON BOLT	4		M8X20	
32	843822008	SPRING WASHER	4		φ 8	
33	846007008	WASHER	4		φ 8	
	011680802	PACKING CASE	1			
	011695301	OPERATION MANUAL(5LANGS)	1			

◆ Bare engine can not be supplied