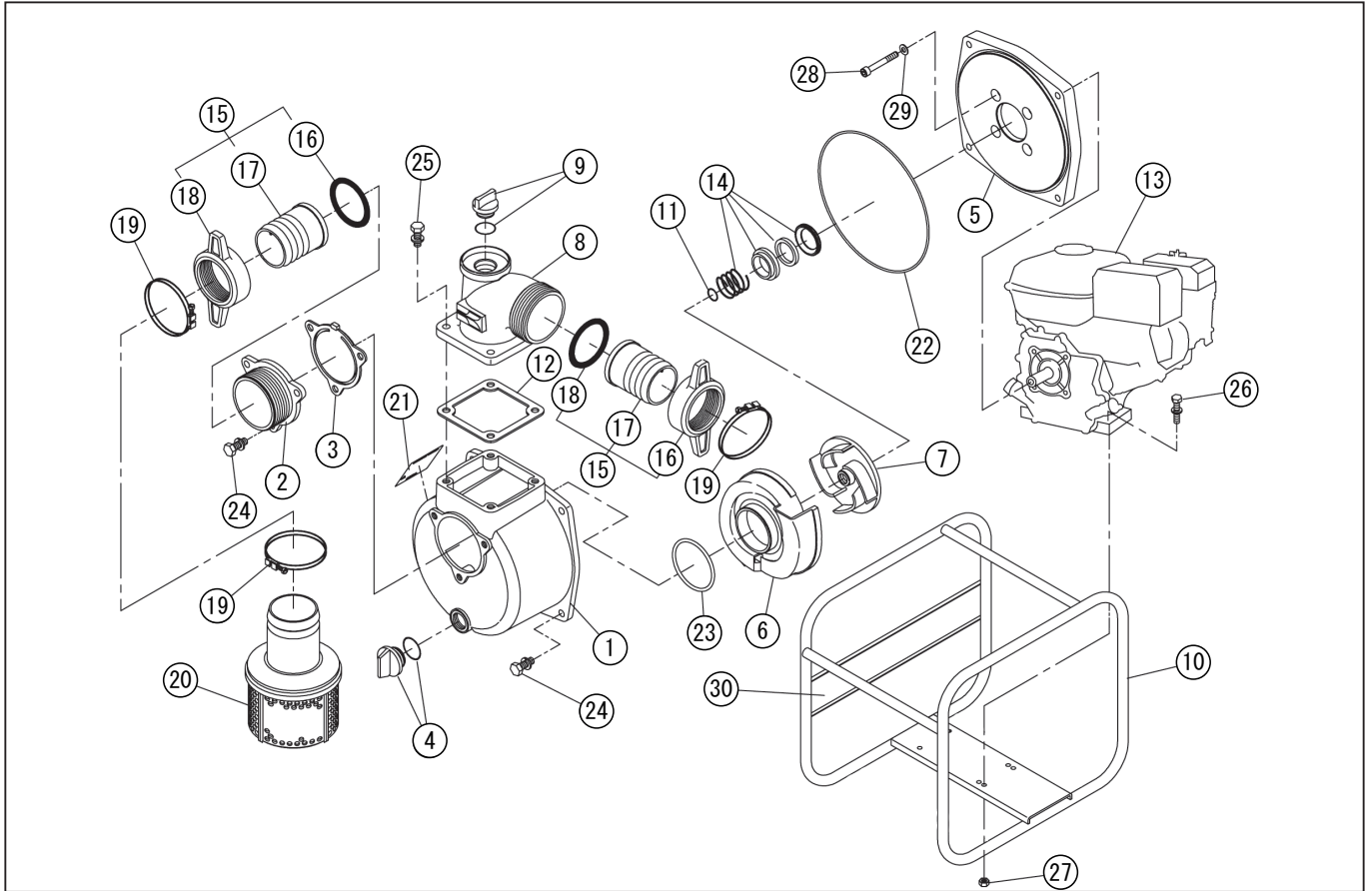


DWG No.011978015 MODEL : SEH-80X FORM : SEH-80X-BBU-4

No.	PARTS CODE	PARTS NAME	QTY	MATERIAL/SIZE	REMARKS
1	0120196	PUMP CASING	1	ADC	
2	0112797	SUCTION FLANGE	1	ADC	
3	0112799	CHECK VALVE	1	NBR	
4	0118078	20A PLUG SET	1		
5	0112796	FLANGE BRACKET	1	ADC	
6	0112798	VOLUTE CASING	1	ADC	
7	0110532	IMPELLER	1	FC-20	
8	0110570	DELIVERY FLANGE	1	ADC	
9	0118079	25A PLUG SET	1		
10	0117981	BASE SET	1		
11	0110491	IMPELLER ADJUSTING WASHER	3	BSP	
12	0110584	DELIVERY FLANGE PACKING	1	CR	
13	0120549	ENGINE	1	HONDA GX160T2WMK	
14	0110664	MECHANICAL SEAL	1	φ 20	
15	0117028	COUPLING SET	2		
16	0114378	COUPLING PACKING	2		
17	0110301	HOSE NIPPLE	2		
18	0114375	COUPLING	2		
19	940019090	HOSE BAND	3	φ 90	
20	0118195	STRAINER SET	1	PP	
21	0115190	NAME PLATE	1		
22	0115015	O-RING	1	1517-46.5 NBR	
23	0113989	O-RING	1	P74 NBR	
24	743119061	HEXAGON BOLT	7	M10X25 SWRM	
25	743119063	HEXAGON BOLT	4	M10X30 SWRM	
26	743119053	HEXAGON BOLT	4	M8X40 SWRM	
27	827419008	HEXAGON NUT	4	M8 SWRM	
28	734532076	HEXAGON SOCKET BOLT	4	M8X60 SCM CS	
29	854255008	SEAL WASHER	4	φ 8	
30	0120428	SIDE PANEL LABEL	1		



DWG No.011978015 MODEL : SEH-80X FORM : SEH-80X-BBU-4

No.	PARTS CODE	PARTS NAME	QTY	MATERIAL/SIZE	REMARKS
	0115189	PACKING CASE	1		