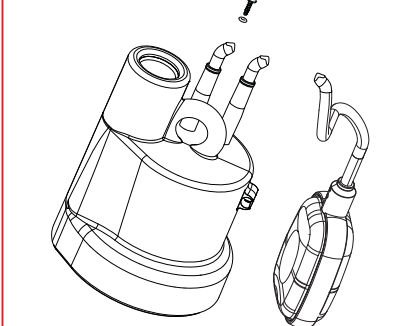
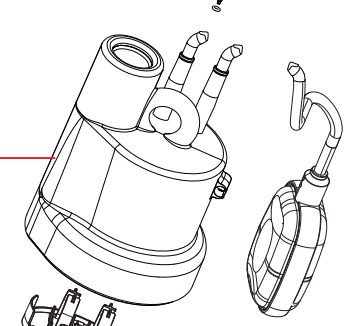


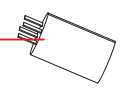
iDIVER-1000



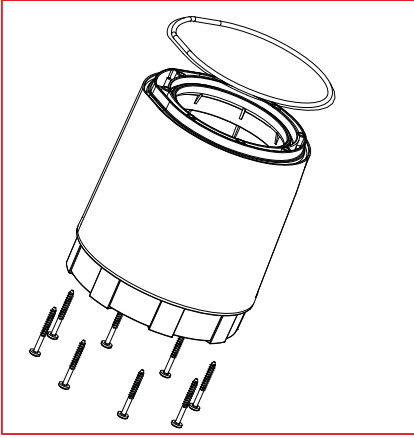
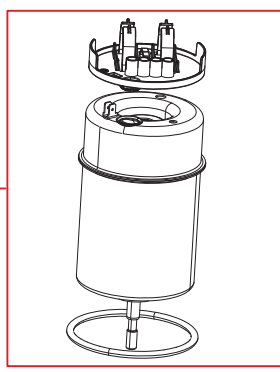
1



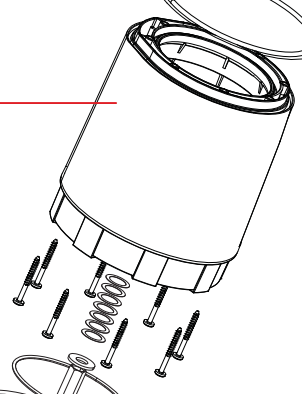
2



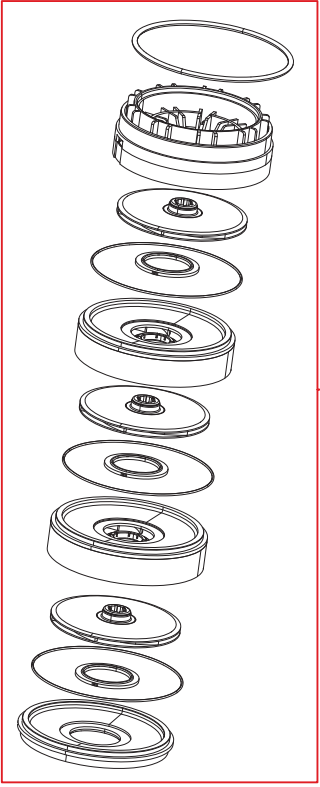
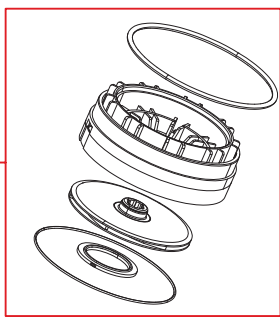
3



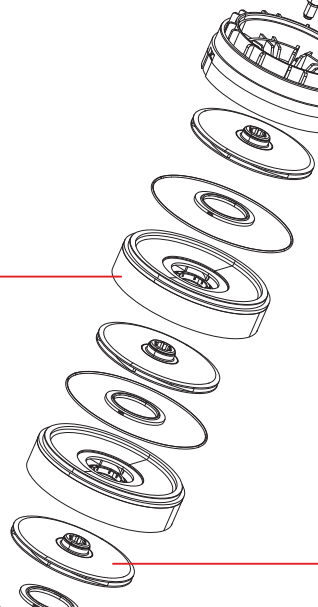
4



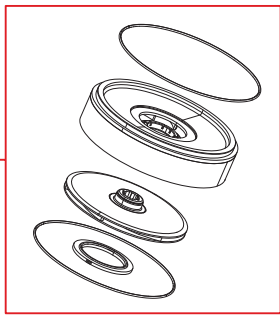
5



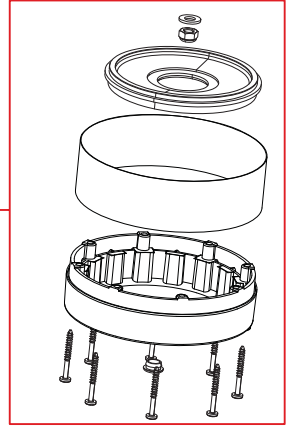
6



7



8



iDIVER-1000

Ref. No.	SP code	SP description	Cant
1	SP00001904X	(SP) PUMP COVER WIRED DEEP 2H PLUG SCHUKO	1
2	SPP1360003X	CONDENSATORE 12.5UF V450 DOPPIO FASTON	1
3	SP60153125X	SPARE PARTS KIT - MOTOR ASS.Y H80 DIVER V230-50Hz W/C AISI30	1
4	SP00000513X	(SP) PUMP BODY DEEP 3-4I BLU	1
5	SP60153114X	(SP) GROUP DIFFUSERS SUPPORT DIVERTRON	1
6	SP60153122X	(SP) COMPL. HYDR KIT DIVERTRON 1000 50Hz-Step 2	1
7	SP60153119X	(SP) DIFFUSER + IMPELLER DIVERTRON	1
8	SP00000512X	(SP) BASE ECODIVER/DEEP BLU	1