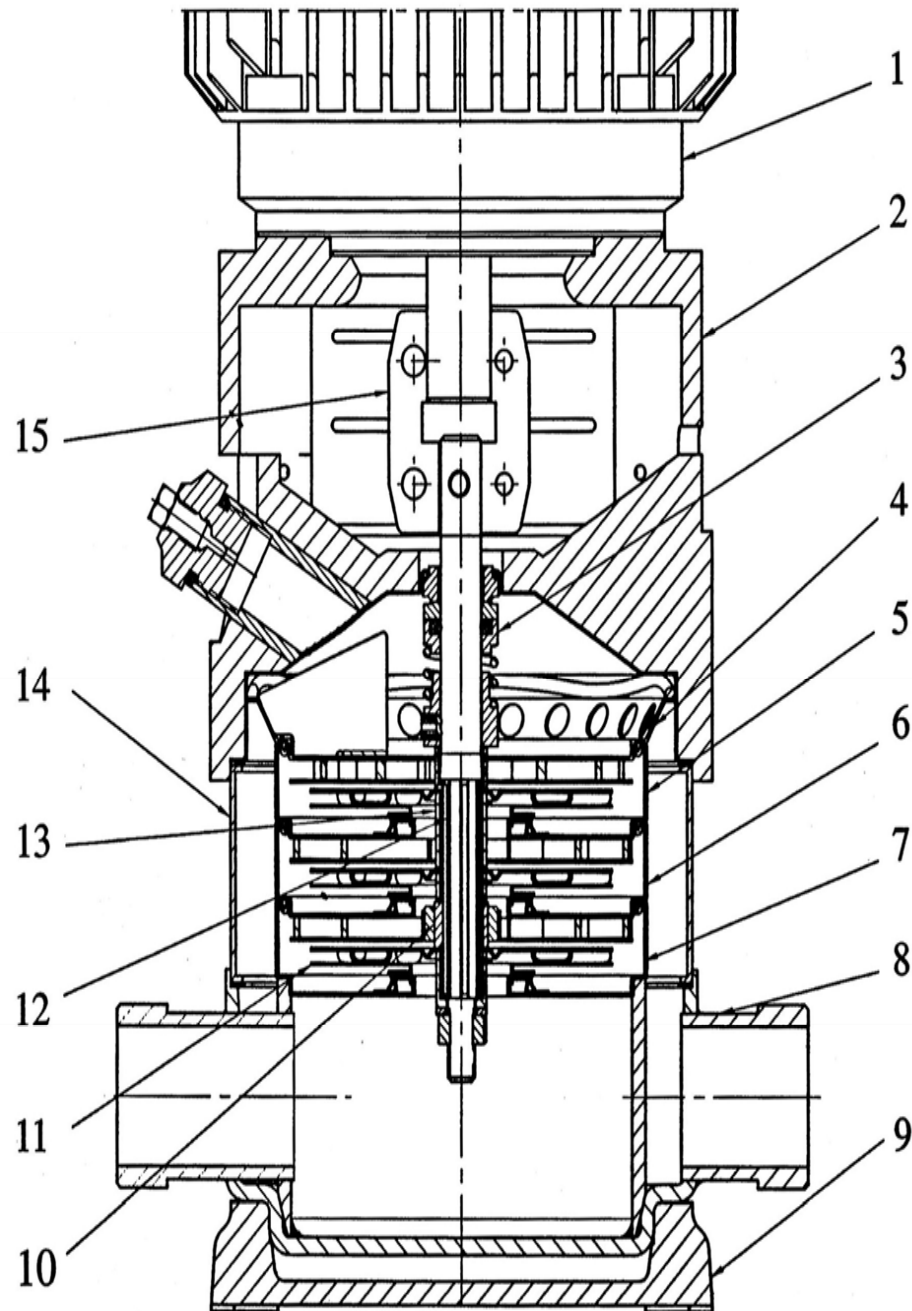


# VS 2-18



10/10/2007

KW 2,2



Pos.	Code	Description	
1	8101005	Electric motor Single phase	
1	8101021	Electric motor Three phase	
2	8101322	Pump head	
3	8101081	Mechanical seal	
4	8101098	Superior diffuser	
5	8101062	Diffuser	
6	8101088	Inferior diffuser	
7	8101370	Inducer	
8	8101380	Inlet and outlet section	
9	8101390	Base frame	
10	8101400	Bearing	
11	8101052	Impeller	
12	8101120	Shaft	
13	8101410	Impeller separating sleeve	
14	8101136	Cylinder	
15	8101291	Coupling	
	8101310	Counterflange	
	8101276	Rubber parts	
	8101424	Tie rods	