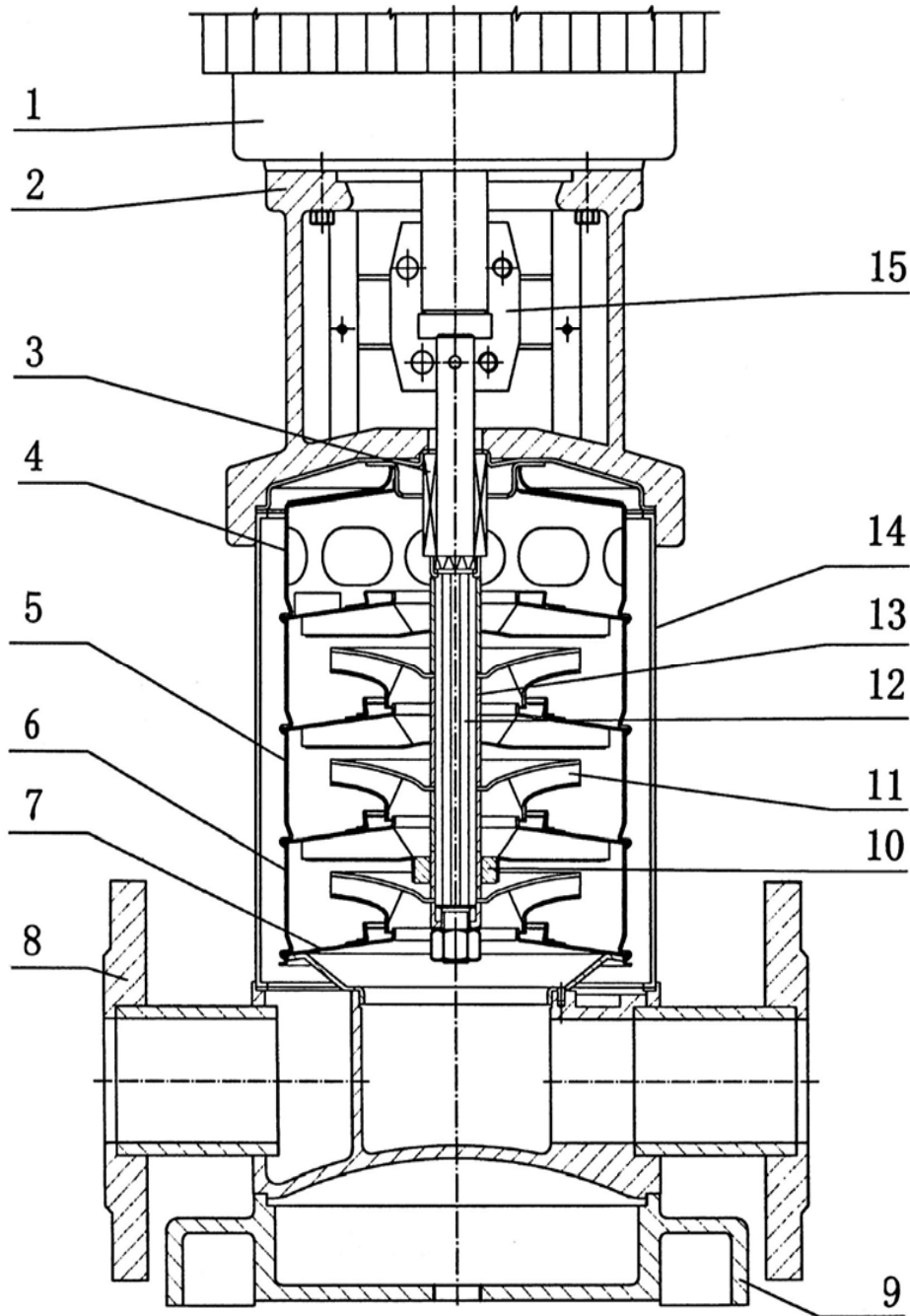


VS 16-2



10/10/2007

KW 2,2



Pos.	Code	Description	
1	8101005	Electric motor Single phase	
1	8101021	Electric motor Three phase	
2	8101343	Pump head	
3	8101082	Mechanical seal	
4	8101102	Superior diffuser	
5	8101066	Diffuser	
6	8101092	Inferior diffuser	
7	8101373	Inducer	
8	8101383	Inlet and outlet section	
9	8101393	Base frame	
10	8101403	Bearing	
11	8101056	Impeller	
12	8101201	Shaft	
13	8101413	Impeller separating sleeve	
14	8101215	Cylinder	
15	8101293	Coupling	
	8101314	Counterflange	
	8101278	Rubber parts	
	8101450	Tie rods	