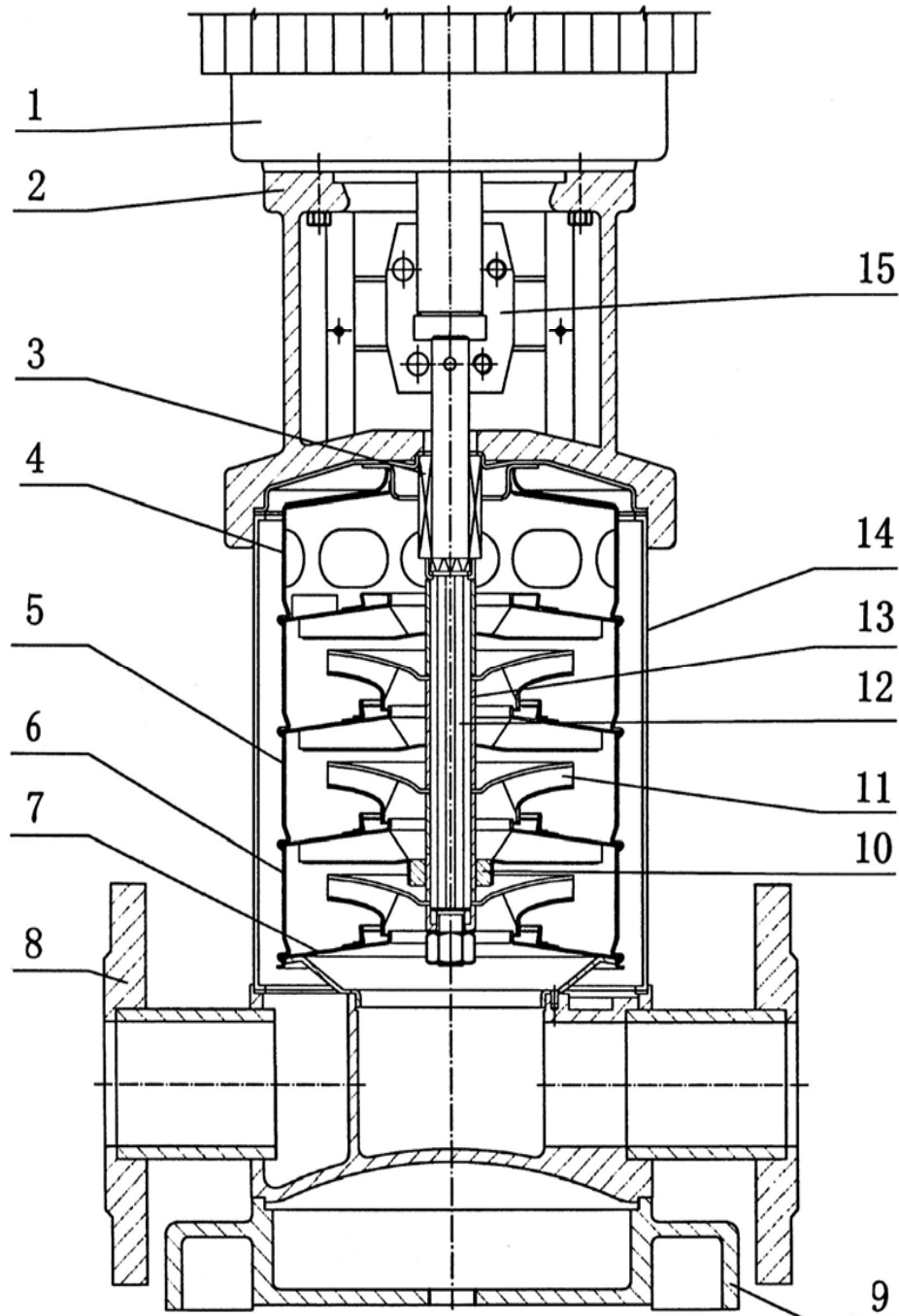


VS 16-16



10/10/2007

KW 15



Pos.	Code	Description	
1	8101027	Electric motor Three phase	
2	8101347	Pump head	
3	8101082	Mechanical seal	
4	8101102	Superior diffuser	
5	8101066	Diffuser	
6	8101092	Inferior diffuser	
7	8101373	Inducer	
8	8101383	Inlet and outlet section	
9	8101393	Base frame	
10	8101403	Bearing	
11	8101056	Impeller	
12	8101211	Shaft	
13	8101413	Impeller separating sleeve	
14	8101225	Cylinder	
15	8101295	Coupling	
	8101314	Counterflange	
	8101278	Rubber parts	
	8101456	Tie rods	