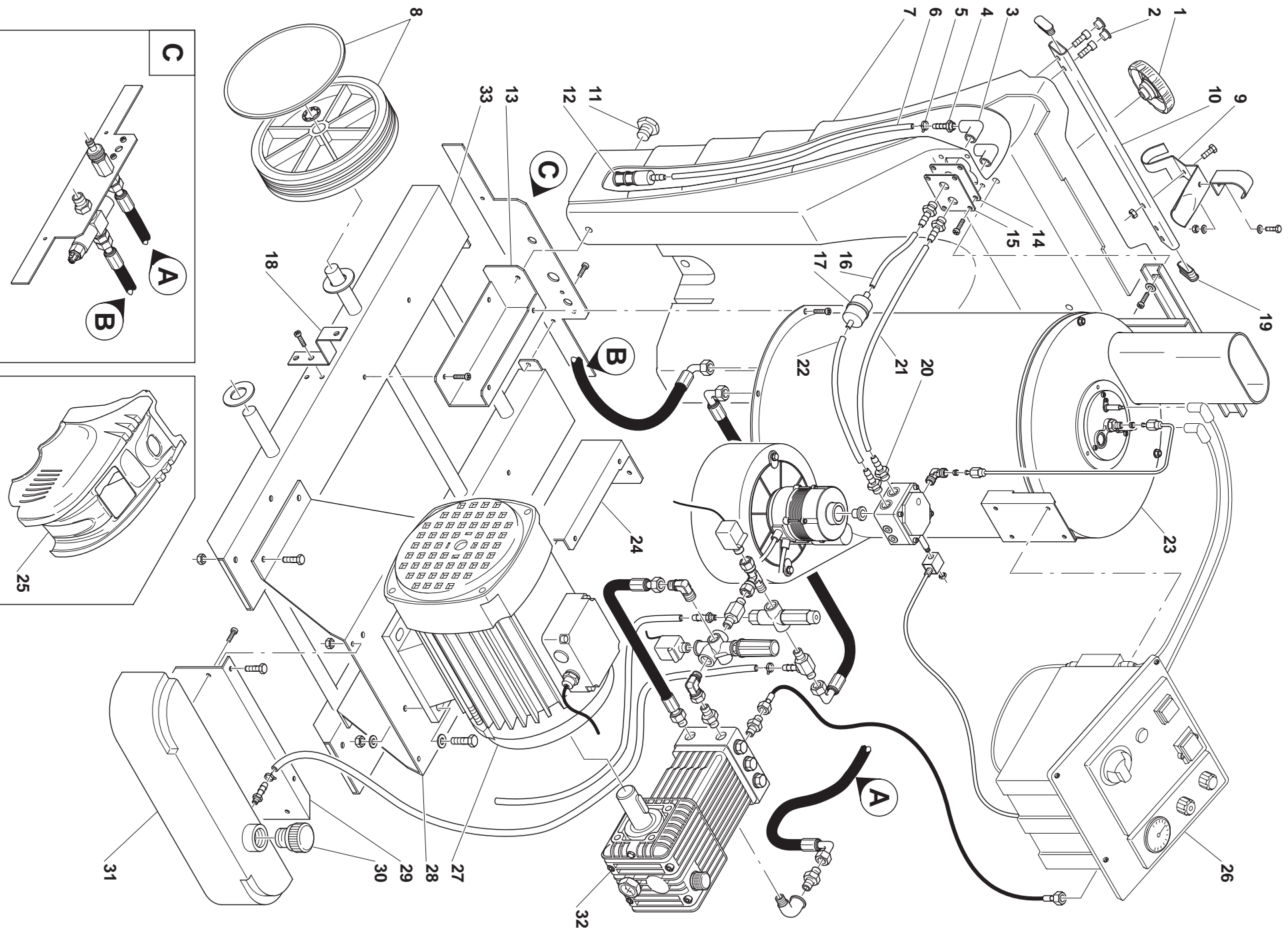


TWENTY



ESPLOSO GENERALE TWENTY/TWENTY TOP



TAV. 2850356

ESPLOSO GENERALE TWENTY / TWENTY TOP

TAV. 2850356

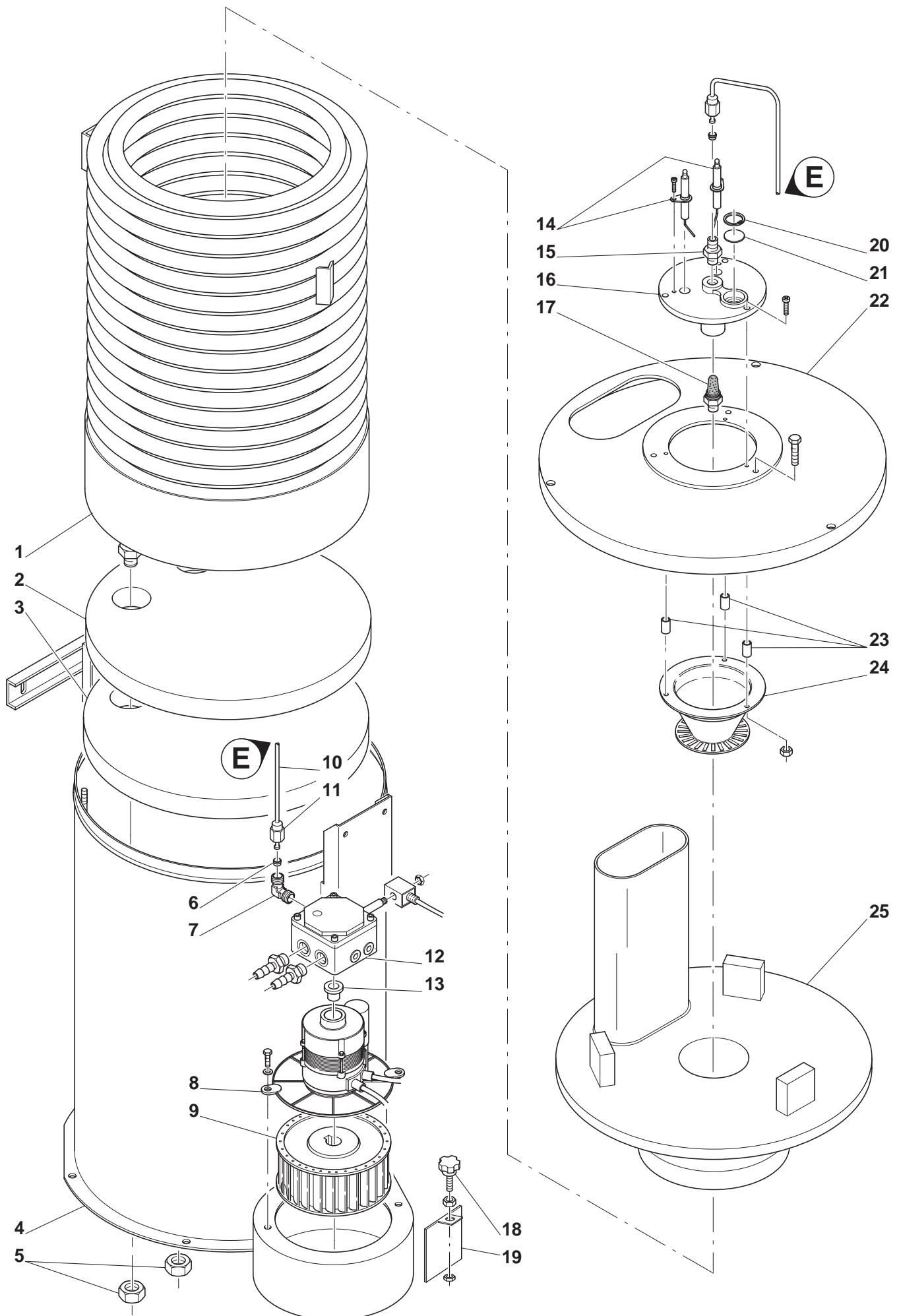
Nr.	CODICE	MOD. BASE	MOD. TOP	DESCRIZIONE	INGLESE	SPAGNOLO
1	1900056	*	*	TAPPO A VITE + VALV.	SCREW CAP + VALVE	TAPA ENROSCABLE + VALVULA
2	1900031	*	*	TAPPO PLASTICA	PLASTIC CAP	TAPA DE PLASTICA
3	1340048	*	*	CURVA 90° FF 1/4"	CURVE 90° FF 1/4"	CURVA 90° FF 1/4"
4	0361649	*	*	PORTAG. 1/4 M X TUBO	HOSE HOLDER 1/4 M	PORTAGOMA 1/4 M X TUBO
5	1380018	*	*	FASCETTA A MOLLA D.9,5-10,5	SPRING CLAMP	ABRAZADERA A MUELLES D.9,5-10,5
6	2501066	*	*	TUBO GASOLIO L=550	GAS OIL PIPE L=550 MM.	TUBO GASOLIO L=550
7	2500408	*	*	SERBATOIO GASOLIO	GAS OIL TANK	TANQUE DE GASOLIO
8	1900097	*	*	RUOTA IN GOMMA+ROND.+BORCHIA	RUBBER WHEEL+WASHER+STUD	RUEDA EN GOMA+TAPA+TACHON
9	2600999	*	*	STAFFA PORTA LANCIA NERA	BLACK LANCE HOLDER	ESTRIBO PORTA LANZA NEGRA
10	2600103	*	*	MANICO	HANDLE	MANILLA
11	0361950	*	*	TAPPO 3/8	CAP 3/8	TAPA 3/8
12	360325	*	*	FILTRO ASP. DETERGENTE	DETERGENT SUCTION FILTER	FILTRO ASP. DETERGENTE
13	2502617	*	*	STAFFA SUPPORTO CALDAIA DX	RIGHT BOILER SUPPORT	ESTRIBO SOPORTE CALDERA DERECHA
14	25000429	*	*	GUARNIZIONE ATTACCHI GASOLIO	GAS OIL CONNECTION WASHER	EMPAQUETADURA JUNTURA GASOLIO
15	2500432	*	*	PIASTRA ATTACCHI GASOLIO	GAS OIL CONNECTION PLATE	CHAPA JUNTURA GASOLIO
16	2502762	*	*	TUBO GASOLIO L=220 MM	GAS OIL PIPE L=220 MM.	TUBO GASOLIO L=550
17	0360367	*	*	FILTRO GASOLIO	GAS OIL FILTER	FILTRO GASOLIO
18	2502630	*	*	STAFFA FISSAGGIO MANTELLO	BODY FIXING BRACKET	ESTRIBO AJUSTE CUBIERTA
19	1900042	*	*	TAPPO COPRITESTA OVALE	OVAL HEAD COVER CAP	TAPA CUBRE CABEZA OVAL
20	1340068	*	*	PORTAG. 1/4 M X TUBO	HOSE HOLDER 1/4 M	PORTAGOMA 1/4 M X TUBO
21	2501099	*	*	TUBO GASOLIO L=600	GAS-OIL PIPE L=600	TUBO GASOLIO L=600
22	2502163	*	*	TUBO GASOLIO L=300	GAS-OIL PIPE L=300	TUBO GASOLIO L=300
23	3300119	*	*	CALDAIA 15 LT	15 LT BOILER	CALDERA 15 LT
	3300115	200V /60Hz	/	CALDAIA 15LT TWENTY 230/60 Hz	TWENTY 230/60 Hz 15 LT BOILER	CALDERA 15 LT 230V/60Hz
	3300130	/	240V/50Hz	CALDAIA 15LT TWENTY 240/50 Hz	TWENTY 230/60 Hz 15 LT BOILER 240/50 Hz	CALDERA 15 LT 240/50 Hz
24	2502616	*	*	STAFFA SUPPORTO CALDAIA SX	LEFT BOILER SUPPORT	ESTRIBO SOPORTE CALDERA IZQUIERDA
25	2502711	*	*	MANTELLO	BODY	CUBIERTA

26	3600450	160/200	/	QUADRO ELETTRICO	ELECTRICAL PANEL	CUADRO ELECTRICO
	3600453	150/180	/	QUADRO ELETTRICO	ELECTRICAL PANEL	CUADRO ELECTRICO
	3600454	130	/	QUADRO ELETTRICO	ELECTRICAL PANEL	CUADRO ELECTRICO
	3600491	/	130 TOP	QUADRO ELETTRICO	ELECTRICAL PANEL	CUADRO ELECTRICO
	3600482	/	150 TOP	QUADRO ELETTRICO	ELECTRICAL PANEL	CUADRO ELECTRICO
	3600483	/	160 TOP /200 TOP	QUADRO ELETTRICO	ELECTRICAL PANEL	CUADRO ELECTRICO
	3600477	200 - 230/60Hz	/	QUADRO ELETTRICO 230/60Hz	ELECTRICAL PANEL 230/60 Hz	CUADRO ELECTRICO 230/ 60Hz
27	1560005	150/180	150 TOP	MOT. EL. 5,5 HP T	MOTOR 5,5 HP T	MOT. ELECTRICO 5,5 HP T
	1560006	160/200	160 TOP /200 TOP	MOT. EL. 7,5 HP T	MOTOR 7,5 HP T	MOT. ELECTRICO 7,5 HP T
	1560039	130	/	MOT. EL. 3 HP M 230V 50 HZ	MOTOR 3 HP M 230V 50 Hz	MOT. ELECTRICO 3 HP M 230V 50 HZ
	1560165	/	130 TOP	MOT. EL. 3 HP M 240V 50 HZ	MOTOR 3 HP M 240V 50 Hz	MOT. ELECTRICO 3 HP M 240V 50 HZ
	1560016	200 /60Hz	/	MOT.EL.7,5 HP 230/400/60HZ	MOTOR 7,5 HP 230/400/60 Hz	MOT. ELECTRICO 7,5 HP 230/400/60 HZ
28	2502618	*	*	STAFFA SUP. MOTOPOMPA	MOTOR PUMP SUPPORT	ESTRIBO SOPORTE MOTOBOMBA
29	2502622	*	*	LAMIERA SERBATOIO DETERGENTE	DETERGENT TANK PLATE	CHAPA TANQUE DETERGENTE
30	0361955	*	*	TAPPO PLASTICA SERBATOIO	TANK PLASTIC CAP	TAPA PLASTICA TANQUE
31	2501047	*	*	SERBATOIO DETERGENTE	DETERGENT TANK	TANQUE DETERGENTE
32	1620328	150	150 TOP	POMPA XM 15.15 N DX	PUMP XM 15.15 N DX	BOMBA XM 15,15 N DERECHA
	1620329	180	-	POMPA XM 13.17 N DX	PUMP XM 13.17 N DX	BOMBA XM 13,17 N DERECHA
	1620417	130	-	POMPA XT 10.12 A DX	PUMP XT 10.12 A DX	BOMBA XT 10,12 A DERECHA
	1620603	200	200 TOP	POMPA RK 15.20 N DX	PUMP RK 15.20 N DX	BOMBA RK 15,20 N DERECHA
	1620615	160	160 TOP	POMPA RK 18.16 H	PUMP RK 18.16 H	BOMBA RK 18,16
	1620611	200 / 60 Hz	/	POMPA RKA 4 G30 N DX 60 Hz	PUMP RKA 4 G30 N DX 60 Hz	BOMBA RKA 4 G30 N DX 60 Hz
33	2502613	*	*	PIANALE COMPLETO	COMPLETE PLATFORM	PLATAFORMA COMPLETA

* Tutti i modelli

* Por todos los modelos

ESPLOSO CALDAIA TWENTY/TWENTY TOP



ESPLOSO CALDAIA TWENTY / TWENTY TOP

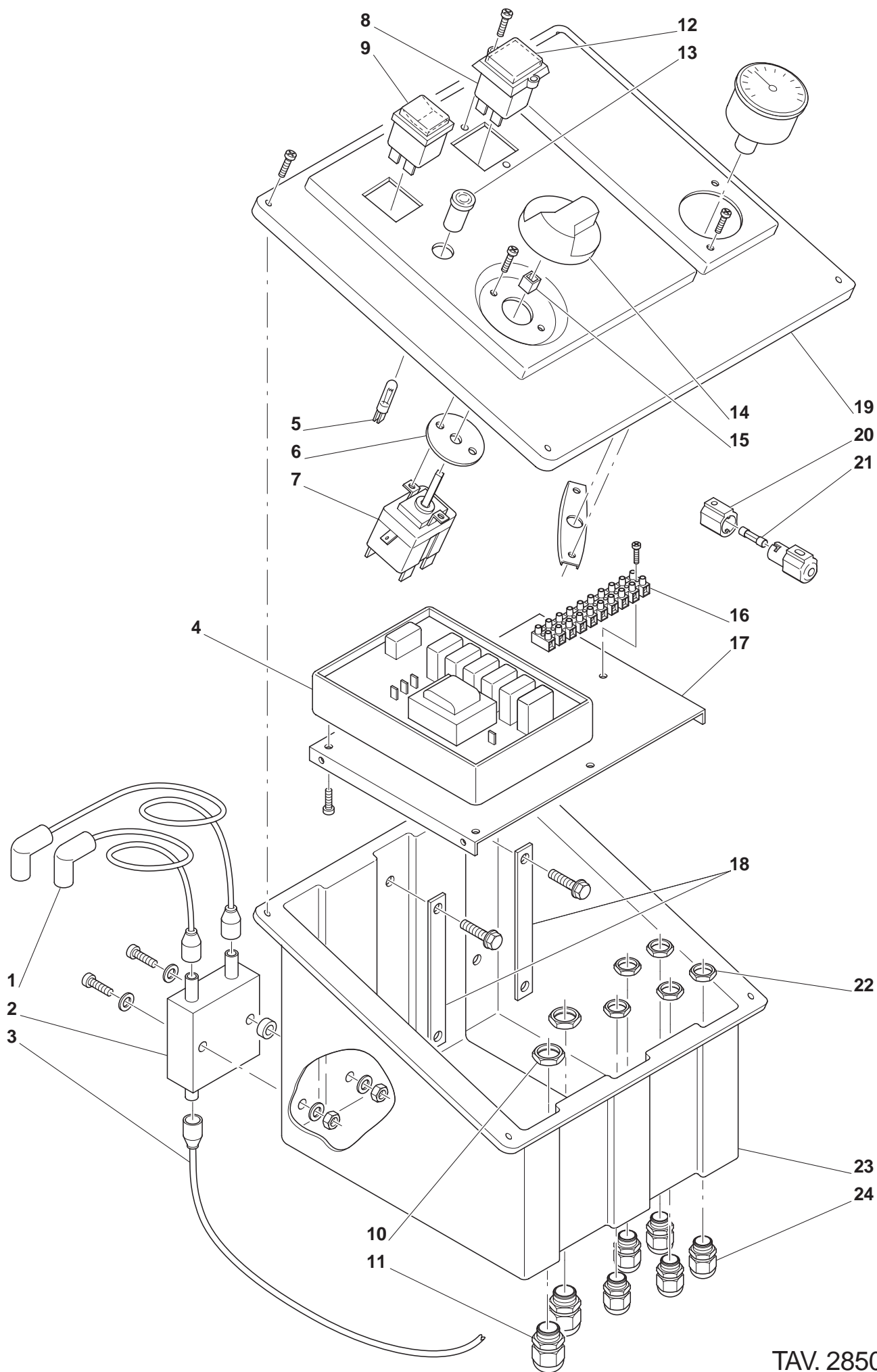
TAV. 2850357

Nr.	CODICE	MODELLO	DESCRIZIONE	INGLESE	SPAGNOLO
1	2501296	*	SERPENTINA COMPLETA CALDAIA 15LT	15 LT BOILER COMPLETE COIL	SERPENTIN COMP. CALDERA 15LT
2	2500575	*	ISOLANTE SUPERIORE FIBRA CERAMICA	CERAMIC FIBER UPPER INSULATOR	AISLANTE SUP. FIBRA CERAMICA
3	2500574	*	ISOLANTE INFERIORE FIBRA CERAMICA	CERAMIC FIBER LOWER INSULATOR	AISLANTE INF. FIBRA CERAMICA
4	2601001	*	FASCIAME CALDAIA 15LT	15 LT BOILER SHEATHING	TABLAZON CALDERA 15LT
5	2500773	*	DADO OTTONE 3/8GAS	3/8 GAS BRASS NUT	TUERCA LATON 3/8 GAS
6	0362349	*	CAMOZZI 1310.4 OGIVA	FITTING 1310.4 OGIVE	RACOR 1310,4 OJIVA
7	0362341	*	CURVA 90°1/8M CON.1/8M	BEND 90° 1/8 M FITTING 1/8 M	CURVA 90°1/8M CON. 1/8M
8	1560148	230 V	MOT.EL.150W 230/50/60 Hz	MOTOR 150W 230/50/60 Hz	MOT. ELECTRICO 150W 230/50/60 Hz
	1560165	240 V	MOT.EL.150W 240/50HZ	MOTOR 150W 240/50 Hz	MOT. ELECTRICO 150W 240/50 Hz
9	1540057	50 Hz	VENTOLA ORARIA D160X60	CLOCKWISE FAN D 160X60	VENTILADOR ORARIO D160X60
	1540065	60HZ	VENTOLA ORARIA D146X52 F12,7	CLOCKWISE FAN D 146X52 F 12,7	VENTILADOR ORARIO D146X52 F 12,7
10	2502865	*	TUBO RAME	COPPER PIPE	TUBO DE COBRE
11	0362348	*	CAMOZZI 1303.4.1/8 DADO	FITTING 1303.4.1/8 NUT	RACORI 1303.4.1/8 DADO
12	1640091	*	POMPA GASOLIO	GAS-OIL PUMP	BOMBA GASOLIO
	1640465	90	POMPA KEROSENE	KEROSENE PUMP	BOMBA KEROSENE
13	1820001	*	GIUNTO POMPA GASOLIO	GAS-OIL PUMP JOINT	UNION BOMBA GASOLIO
14	2501303	*	ELETTRODO PIEGATO CALDAIA	BOILER BENT ELECTRODE	ELECTRODO DOBLADO CALDERA
15	0362337	*	NIPPLO 1/8	NIPPLE 1/8	NIPLE 1/8
16	2501302	*	PIATTELLO PER TESTINA	HEAD CAP	PLATILLO PER CABEZAL
17	1940080	*	UGELLO GASOLIO 1.50 60°	GAS-OIL NOZZLE 1.50 60°	BOQUILLA GASOLIO 1,50 60°
18	1900003	*	VOLANTINO 8 LOBI M6X50	8 LOBES HANDWHEEL M6X50	RONDELA 8 LOBI M6X50
19	2502866	*	SERRANDA REG. ARIA CALDAIA	BOILER AIR REGULATING SHUTTER	CIERRE METALICO REG. AIRE CALIENTE
20	1380017	*	ANELLO ELAST.X INTERNI	INTERNAL SPLIT RING	ANILLO ELASTICO X INTERNOS
21	1900101	*	VETRO TEMPERATO PER SPIONCINO	PEEPHOLE ARMORED GLASS	VIDRIO TEMPERADO PARA MIRILLA
22	2600397	*	COPERCHIO ZINCATO ESTERNO	EXTERNAL ZINC PLATED COVER	CUBIERTA ZINCATA EXTERNA
23	2501322	*	DISTANZIALE TESTINA	HEAD SPACER	RIOSTRA CABEZAL
24	2501305	*	GRUPPO DEFLETTORE	DEFLECTOR UNIT	GRUPO DEFLECTOR
25	2501298	*	GRUPPO BOCCAGLIO CALDAIA	BOILER MOUTHPIECE UNIT	GRUPO BLOQUEADOR CALDERA

* Tutti i modelli

* Todos los modelos

ESPLOSO IMPIANTO ELETTRICO TWENTY/TWENTY TOP



ESPLOSO IMPIANTO ELETTRICO TWENTY / TWENTY TOP

TAV. 2850358

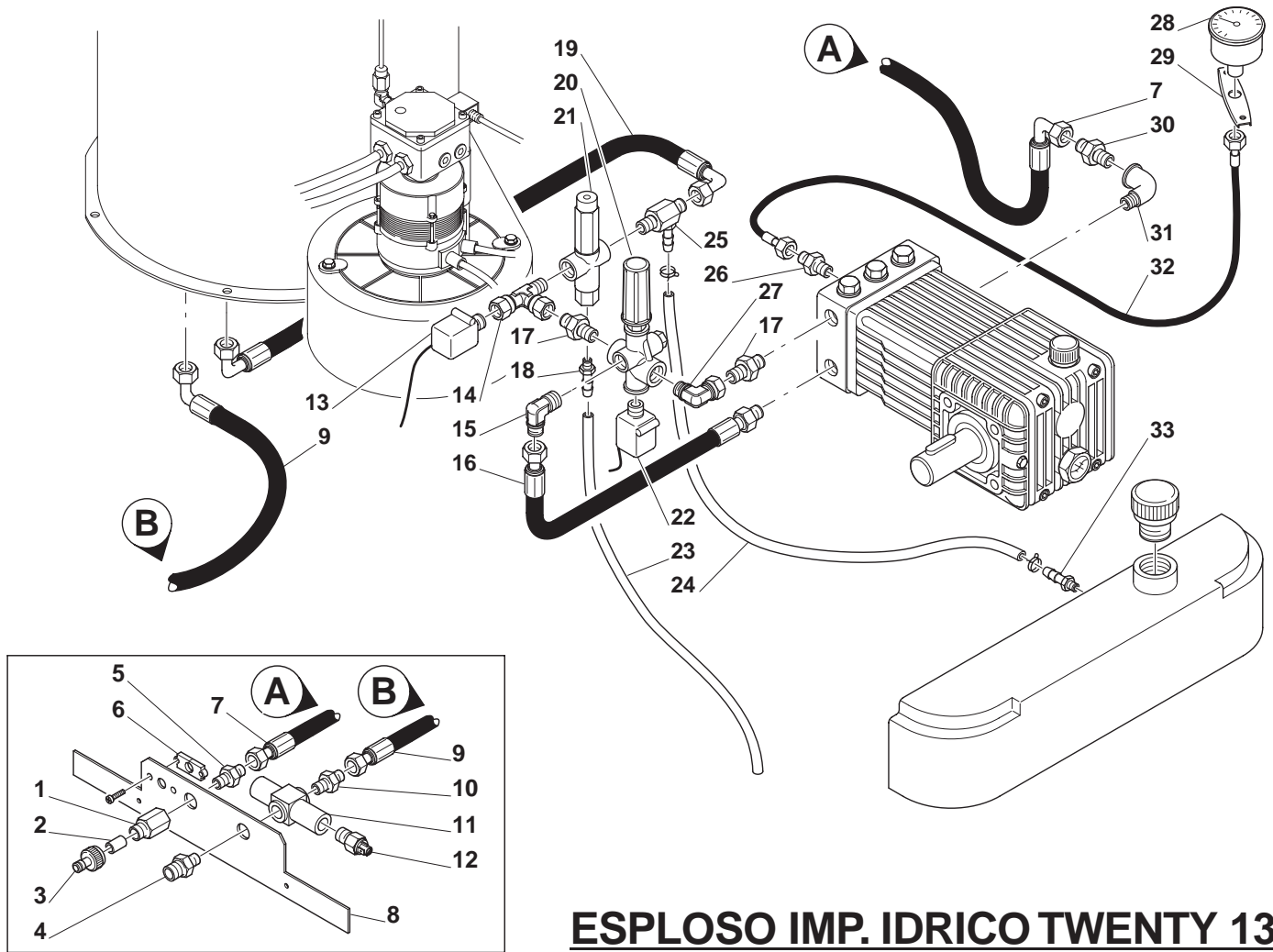
Nr.	CODICE	MOD. BASE	MOD. TOP	DESCRIZIONE	INGLESE	SPAGNOLO
1	1520149	*	*	CAVO HT RESIST. PIPA 6.3	HT CABLE RESIST. PIPE 6.3	CABLE ALTA TENSION RESIST. PIPA 6,3
2	1500258	*	*	TRASFORMATORE AT	HT TRANSFORMER	TRANSFORMADOR AT
3	1520150	*	*	CAVO PVC3X0.5 NERO+SPINA B DRITTA	CABLE PVC 3X0.5 BLACK B RIGHT PLUG	CABLE PVC 3X0.5 NEGRO+ENCHUFE
4	1500285	150/180	150 TOP	SCHEDA TOTAL-STOP RIT	DELAYED TOTAL STOP CARD	TARJETA PARO TOTAL RIT
	1500301	130/160/200	160 TOP/200 TOP	SCHEDA TOTAL-STOP RIT	DELAYED TOTAL STOP CARD	TARJETA PARO TOTAL RIT
5	1500313	*	*	SPIE RETE	MAINS WARNING LIGHT	INDICADOR DE LA RED
6	2500781	*	*	GUARNIZIONE PER TERMOSTATO	THERMOSTAT GASKET	EMPAQUETADURA PARA TERMOSTATO
7	1500208	*	*	TERMOSTATO CAPILLARE 0-120	0-120 CAPILLARY THERMOSTAT	TERMOSTATO CAPILAR 0-120
8	1500203	160/200	160 TOP/200 TOP	INTERRUTT. TERMICO TRIFASE	THREE-PHASE THERMIC SWITCH	INTERRUPTOR TERMICO TRIFASICO
	1500207	150/180	150 TOP	INTERRUTT. TERMICO TRIFASE	THREE-PHASE THERMIC SWITCH	INTERRUPTOR TERMICO TRIFASICO
	1500114	200 - 230/60Hz	/	INTERRUTT. TERMICO TRIFASE 20-25A	20-25A THREE-PHASE THERMIC SWITCH	INTERRUPTOR TERMICO TRIFASICO
	1500232	130	/	INTERRUTTORE TERMICO MONOFASE	SINGLE-PHASE THERMIC SWITCH	INTERRUPTOR TERMICO MONOFASICO
9	0350600	*	*	INTER.BIP.TASTO BIANCO+PROT	WHITE BUTTON BIPOLAR SWITCH+PROT.	CONTRATUERCA PG16
10	1520057	*	*	CONTRODADO PG16	COUNTERNUT PG16	CONTRATUERCA PG16
11	1520054	*	*	PRESSACAVO ANTISTRAP. PG16	ANTI-WRENCH CABLE PRESS PG16	PRENSACABLE ANTIDEGARR. PG 16
12	1500202	*	*	PROTEZIONE X INTERR. TERMICO	THERMIC SWITCH PROTECTION	PROTECCION X INTERRUP. TERMICO
	1500118	130	/	PROTEZIONE X INTERR. TERMICO	THERMIC SWITCH PROTECTION	PROTECCION X INTERRUP. TERMICO
13	0351207	*	*	CAPPUCCIO PER SPIA	WARNING LIGHT COVER	CAPACETE PARA INDICADOR
14	0360575	*	*	MANOPOLA	KNOB	POMO
15	2500329	*	*	INSERTO PLASTICA X TERMOST.	THERMOSTAT PLASTIC INSERT	APLIC. DE PLASTICO X TERMOSTATO
16	1520017	*	*	MORSETTIERA	TERMINAL BLOCK	TERMINAL DE CONEXION
17	2502837	*	*	LAMIERA DI FONDO	BOTTOM PLATE	PLATAFORMA DE FONDO

18	2502634	*	*	PIATTO FISSAGGIO SCATOLA ELETTRICA	ELECTRICAL BOX FIXING PLATE	PLATO FIJA CAJA ELECTRICA
19	2650036	/	*	PANNELLO COMANDI SERIGRAFATO	SCREEN PRINTED CONTROL PANEL	CUADRO DE MANDOS SERIGRAFADO
	2650039	150/160/180/200	/	PANNELLO COMANDI SERIGRAFATO	SCREEN PRINTED CONTROL PANEL	CUADRO DE MANDOS SERIGRAFADO
	2650040	130	/	PANNELLO COMANDI SERIGRAFATO	SCREEN PRINTED CONTROL PANEL	CUADRO DE MANDOS SERIGRAFADO
	2650037	/	130 TOP	PANNELLO COMANDI SERIGRAFATO	SCREEN PRINTED CONTROL PANEL	CUADRO DE MANDOS SERIGRAFADO
	2650038	200 - 230/60Hz	/	PANNELLO COMANDI SERIGRAFATO	SCREEN PRINTED CONTROL PANEL	CUADRO DE MANDOS SERIGRAFADO
20	1500129	*	*	PORTAFUSIB.VOLANTE	FLYING FUSE HOLDER	PORTAFUSIBLE VOLANTE
21	1500043	*	*	FUSIBILE VETRO 5X20 2,5A250V	TUBULAR GLASS FUSE 5X20 2,5A 250V	FUSIBLE DE VIDRIO 5X20 2,5A250V
22	1520072	*	*	CONTRODADO PG 9	COUNTERNUT PG9	CONTRATUERCA PG9
23	2502632	*	*	SCATOLA ELETTRICA	ELECTRICAL BOX	CAJA ELECTRICA
24	1520069	*	*	PRESSACAVO ANTISTRAP. PG 9	ANTI-WRENCH CABLE PRESS PG9	PRENSACABLE ANTIDESGARR. PG 9

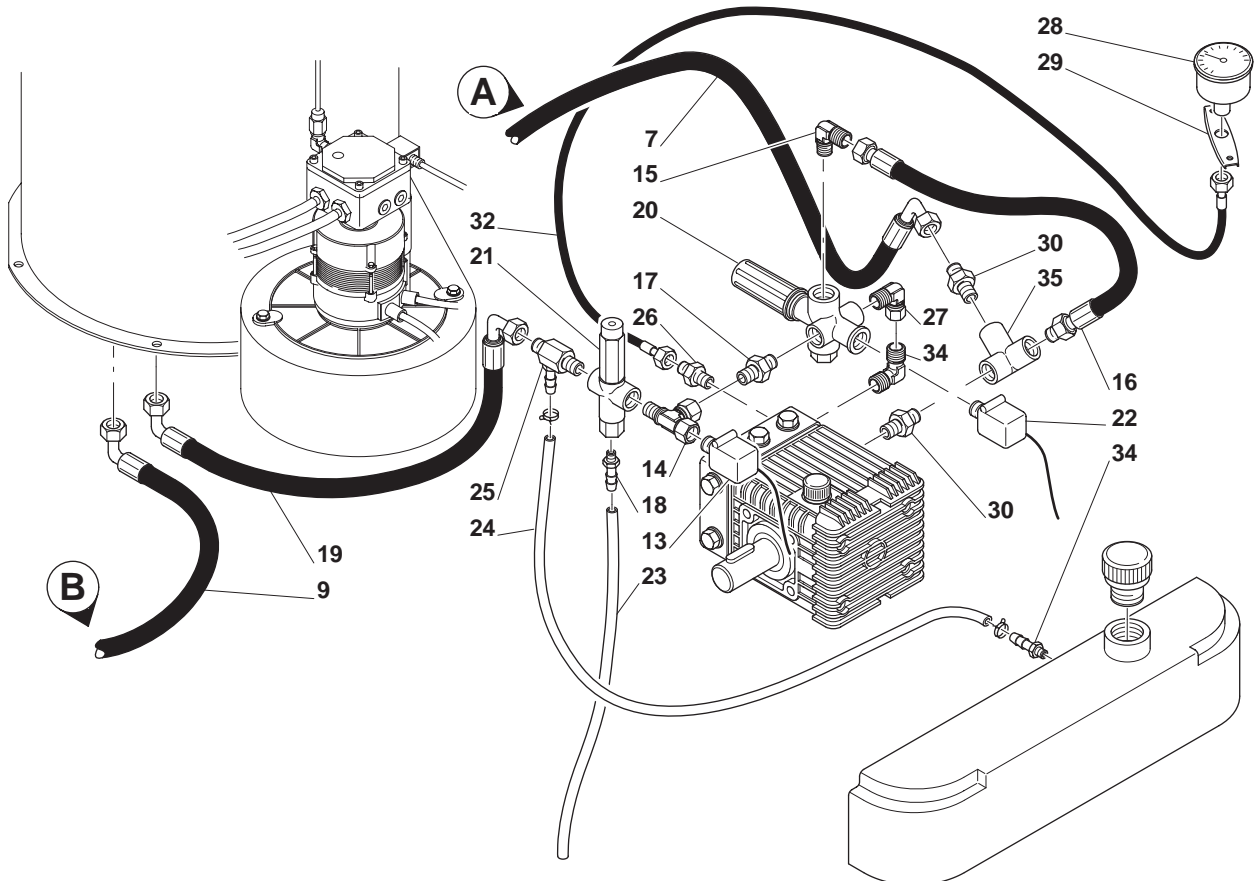
* Tutti i modelli

* Todos los modelos

ESPLOSO IMP. IDRICO TWENTY 150 - 160 - 180 - 200



ESPLOSO IMP. IDRICO TWENTY 130



ESPLOSO IMPIANTO IDRICO TWENTY

TAV. 2850359

Nr.	CODICE	MOD.	DESCRIZIONE	INGLESE	SPAGNOLO
1	1340060	*	RIDUZIONE 3/4M 1/2F	ADAPTER 3/4M 1/2F	REDUCCION 3/4M 1/2F
2	1620187	*	FILTRO ASPIRAZIONE ACQUA	WATER SUCTION FILTER	FILTRO ASPIRACION AGUA
3	1620189	*	INNESTO RACCORDO PORTAGOMMA 3/4"	HOSE HOLDER COUPLING 3/4"	CONEXION ACOPLADA PORTAGOMA 3/4
4	1920169	*	ATTACCO RAPIDO	QUICK CONNECTION	ENGANCHE RAPIDO
5	0360813	*	NIPPLO 1/2X1/2	NIPPLE 1/2X1/2	NIPLE 1/2 X 1/2
6	1520052	*	FISSACAVO	CABLE FIXING	FIJACABLE
7	1140136	*	TUBO L=750	HOSE L=750	TUBO L=750
8	2502621	*	FRONTALINO	FRONT	FRONTAL
9	1140069	*	TUBO R2 T 3/8 L=580	HOSE R2 T 3/8 L=580	TUBO R2 T 3/8 L=580
10	0360860	*	NIPPLO 3/8M CIL.	NIPPLE 3/8M CYL.	NIPLE 3/8M CIL
11	0361350	*	POZZETTO USCITA SERPENTINA F1/2"	F1/2" COIL OUTLET	SALIDA SERPENTIN F1/2"
12	0360389	*	PREMISTOPPA PER TERMOSTATO	THERMOSTAT GLAND	PRENSAESTOPAS PER TERMOSTATO
13	1500142	*	PRESSOSTATO 3/8M 40BAR	PRESSURE OPERATED CUT-OFF SWITCH 3/8M 40BAR	PRESOSTATO 3/8M 40BAR
14	0361414	*	RACCORDO "T" 3/8 OTT. M/F/F	BRASS "T" CONNECTION 3/8 M/F/F	CONEXION "T" 3/8 OTT. M/F/F
15	0360186	*	ADATTATORE 90° M3/8	ADAPTER 90° M3/8	ADAPTADOR 90° M3/8
16	0335566	*	TUBO R1 T 5/16 L=320	HOSE R1 T 5/16 L=320	TUBO R1 T 5/16 L=320
17	1340069	*	NIPPLO 3/8M CIL.	NIPPLE 3/8M CYL.	NIPLE
18	0361321	*	PORTAG. OTTONE 3/8M	BRASS HOSE HOLDER 3/8M	PORTAGOMA LATON 3/8M
19	1140072	*	TUBO R2T 3/8 L=600	HOSE R2T 3/8 L=600	TUBO R2T 3/8 L=600
20	1680063	*	VALVOLA	VALVE	VALVULA
21	1680062	*	VALVOLA SICUREZZA	SAFETY VALVE	VALVULA SEGURIDAD
22	1500205	*	PRESSOSTATO 3/8M 20BAR	PRESSURE OPERATED CUT-OFF SWITCH 3/8M 20BAR	PRESOSTATO 3/8M 40BAR
23	2501063	*	TUBO SCARICO VALVOLA L=320	VALVE DRAIN PIPE L=320	TUBO DESCARGA VALVULA L=320
24	2501106	*	TUBO ASP. DETERGENTE L=550MM	DETERGENT SUCTION PIPE L=550	TUBO ASP. DETERGENTE L=550MM

25	1940031	*	EIETTORE 3/8MM D.2,1	EJECTOR 3/8MM D. 2,1	EYECTOR 3/8MM D.2,1
26	0360810	160 / 200	NIPPLO 1/4	NIPPLE 1/4	NIPLE 1/4
	0360820	130 / 150 / 180	NIPPLO 1/4 X 1/8	NIPPLE 1/4 X 1/8	NIPLE 1/4 X 1/8
27	0360185	*	ADATTATORE MF 3/8 90°	ADAPTER MF 3/8 90°	ADAPTADOR MF 3/8 90°
28	1500209	90/130	MANOMETRO POST.D=50 250 BAR	REAR MANOMETER D=50 250 BAR	MANOM. POST.D=50 250 BAR
	1500164	*	MANOM.POST.D=50	REAR MANOMETER D=50	MANOM. POSTERIOR. D=50
29	1500126	*	STAFFA PER MANOMETRO	MANOMETER BRACKET	SOPORTE PER MANOMETRO
30	0360870	*	NIPPLO 3/4 X 1/2	NIPPLE 3/4 X 1/2	NIPLE 3/4 X 1/2
31	0362315	*	GOMITO 90° 1/2MF	ELBOW 90° 1/2MF	CODO 90° 1/2MF
32	1140034	*	TUBO MANOM.L.360	MANOMETER HOSE L. 360	TUBO MANOM. L. 360
33	0361275	*	PORTAG. 1/8M	HOSE HOLDER 1/8M	PORTAGOMA 1/8M
34	0360186	*	ADATTATORE 90° M3/8 CON.-M3/8 CIL.	ADAPTER 90° M3/8 CON.-M3/8 CYL.	ADAPTADOR 90° M3/8 COM.-M3/8 CIL.
35	1340064	*	RACCORDO 3VIE 1/2-FFF ZINCATO	ZINC PLATED 3-WAY CONNECTION 1/2-FFF	CONEXION 3 VIAS 1/2 FFF GALVANIZADO

* Tutti i modelli base + TOP

* Todos los modelos base + TOP