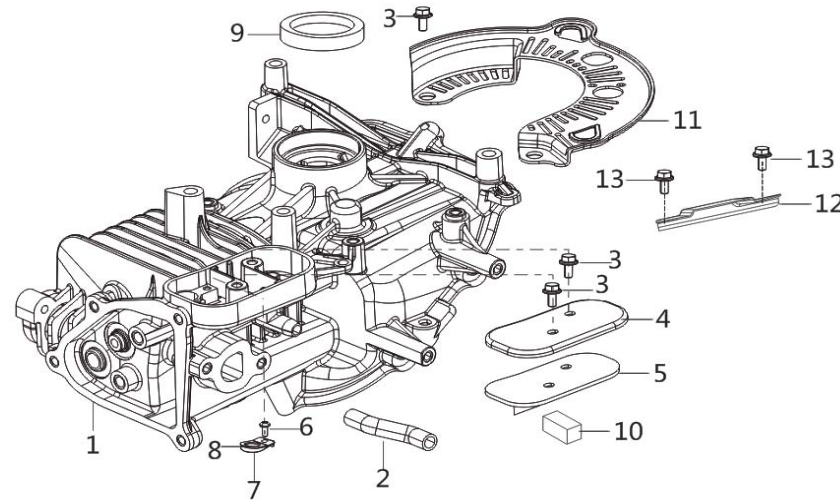


# TM-360 MINI

**FIG.1 CRANKCASE SUBASSEMBLY. (E01)**

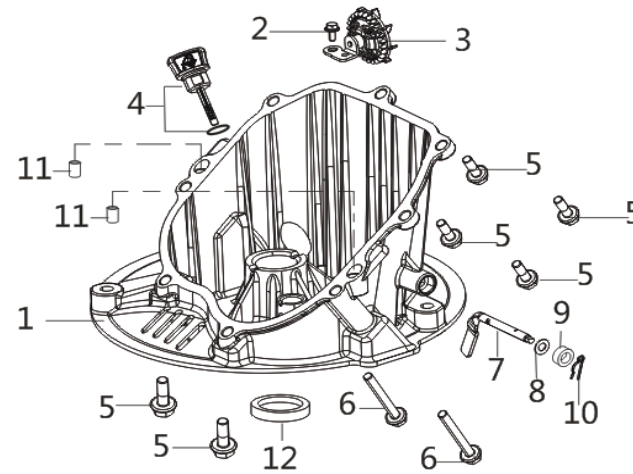
**1 (E01)**



REF.NO.	PART NO	DESCRIPTION	Q'TY
E01-1	11310-Z180230-YJA0	CRANKCASE SUBASSEMBLY	1
E01-2	17004-Z180110-00A0	WASTE PIPE	1
E01-3	90007-0610-A1	BOLT	3
E01-4	11333-Z180110-00A0	PLATE, BREATH GROOVE COVER	1
E01-5	11332-Z180110-00A0	GASKET, BREATH GROOVE	1
E01-6	90103-0410-51	CROSS-STITCH BOLT	1
E01-7	11321-Z180110-00A0	REED	1
E01-8	12045-Z240110-0000	REED VALVE STOPPING PLATE	1
E01-9	90682-Z180110-00A0	SEAL, OIL	1
E01-10	11331-Z180110-00A0	STRAINER, BREATH GROOVE	1
E01-11	19340-Z180110-00A0	SHIELD, LOWER	1
E01-12	19340-Z180210-0000	SHIELD, LOWER	1
E01-13	90007-0612-A1	BOLT	2

**FIG.2 COVER SUBASSEMBLY, CRANKCASE (E02)**

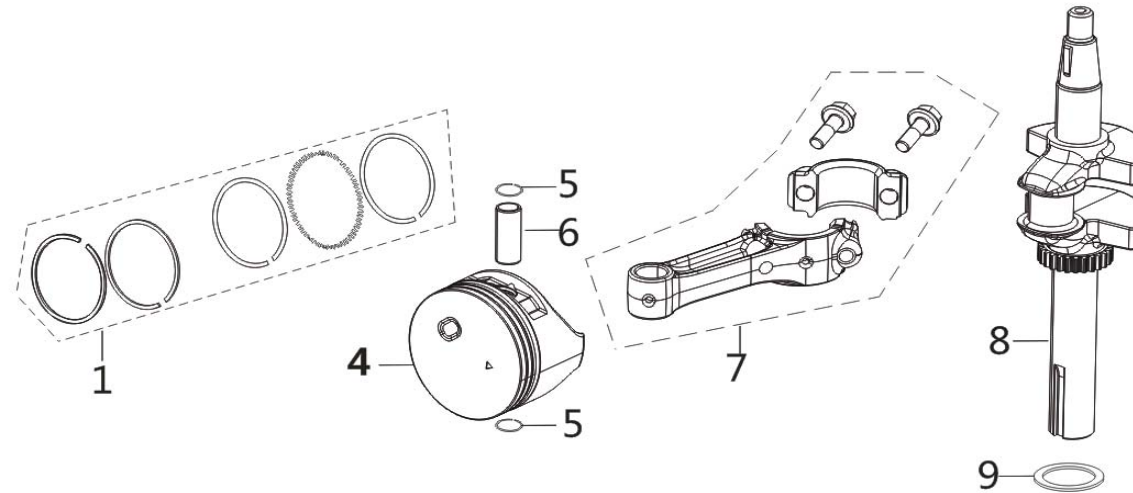
**2 (E02)**



REF.NO.	PART NO		DESCRIPTION	Q'TY
E02-1	11411-Z180130-YJA0		COVER, CRANKCASE	1
E02-2	90007-0612-A1		BOLT	1
E02-3	16400-Z180110-00A0		GEAR ASSY, GOVERNOR	1
E02-4	15010-Z240120-SN00		OIL DIPCTICKASSY	1
E02-5	90007-0618-A1		BOLT	6
E02-6	90007-0650-A1		BOLT	2
E02-7	16061-Z180110-00A0		ARM, GOVERNOR	1
E02-8	90408-Z010210-0000		WASHER	1
E02-9	90682-Z030210-0000		SEAL, OIL	1
E02-10	90501-Z010110-0000		PIN	1
E02-11	90502-0818-00		PIN	2
E02-12	90682-Z030120-0000		SEAL, OIL	1

**FIG.3 PISTON.ROD, CONNECTING.CRANKSHAFT(E03)**

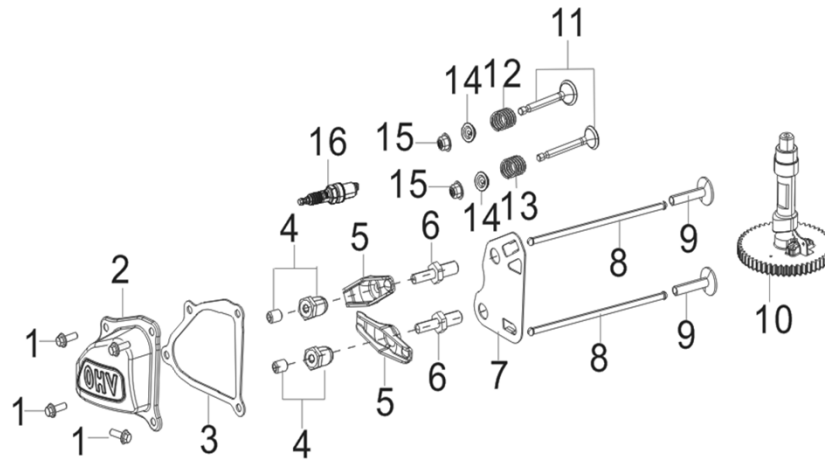
**3 (E03)**



REF.NO.	PART NO	DESCRIPTION	Q'TY
E03-1	13200-Z180120-00A0	RING SET, OIL	1
E03-4	13111-Z180310-00A0	PISTON	1
E03-5	13122-Z350110-00A0	CLIP, PISTON PIN	2
E03-6	13121-Z250110-0000	PIN, PISTON	1
E03-7	13010-Z180220-00A0	RO, CONNECTING	1
E03-8	13300-Z180210-00A0	CRANKSHAFT ASSY	1
E03-9	90408-Z030210-0000	WASHER	1

# FIG.4 COVER, CYLINDER HEAD(E04)

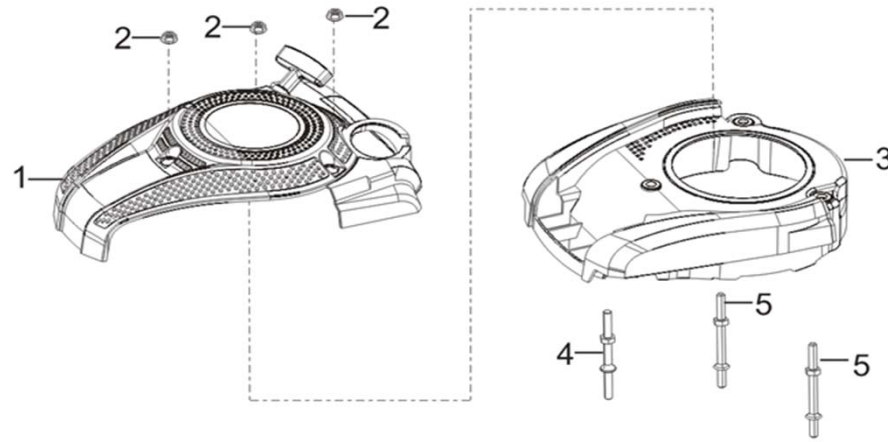
## 4 (E04)



REF.NO.	PART NO	DESCRIPTION	Q'TY
E04-1	90007-0612-A1	BOLT	4
E04-2	12411-Z180110-00A0	COVER, CYLINDER HEAD	1
E04-3	12004-Z180110-00A0	GASKET, CYLINDER HEAD COVER	1
E04-4	97002-Z240110-0000	ADJUSTMENT, VALVE	2
E04-5	14311-Z180110-00A0	ROCKER, VALVE	2
E04-6	14313-Z240110-0000	BOLT, ROCKER SHAFT	2
E04-7	14091-Z180110-00A0	PLATE, LITER LIMITED	1
E04-8	14071-Z180110-00A0	LIFTER, VALVE	2
E04-9	14081-Z240110-0000	TAPPET, VALVE	2
E04-10	14200-Z180110-00A0	CAMSHAFT ASSY.	1
E04-11	12110-Z240110-0000	VALVE	1
E04-12	12103-Z180110-00A0	SPRING, VALVE	1
E04-13	12103-Z240110-0000	SPRING, VALVE	1
E04-14	12112-Z010110-0000	SEAT, VALVE SPRING	2
E04-15	12101-Z010110-0000	GUIDE, SEAL	2
E04-16	30010-Z180110-00A0	PLUG, SPARK	1

**FIG.5 STARTER, RECOIL (E05)**

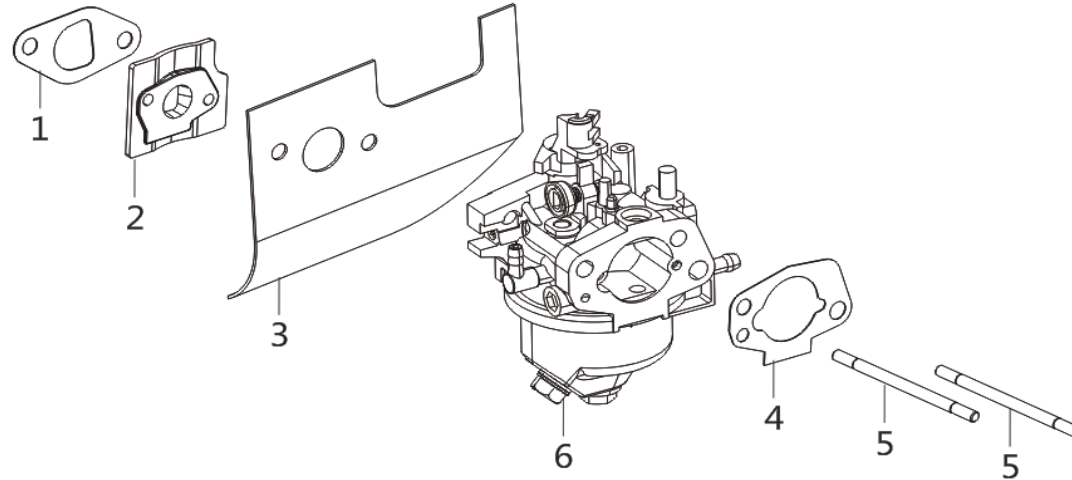
**5 ( E05 )**



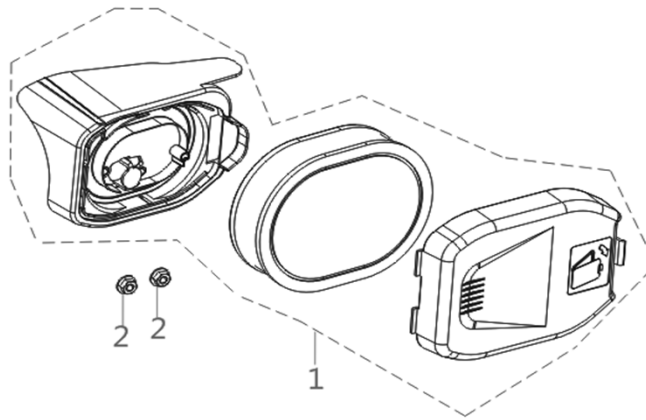
REF.NO.	PART NO		DESCRIPTION	Q'TY
E05-1	28200-Z180220-0000		STARTER ASSY, RECOIL	1
E05-2	90314-Z130210-0000		NUT	3
E05-3	28110-Z180220-0000		SHROU	1
E05-4	28001-Z180210-00A0		STUD	1
E05-5	28001-Z180110-00A0		STUD	2

**FIG.10 CARBURETOR ASSY.(E06)**

**6 ( E06 )**



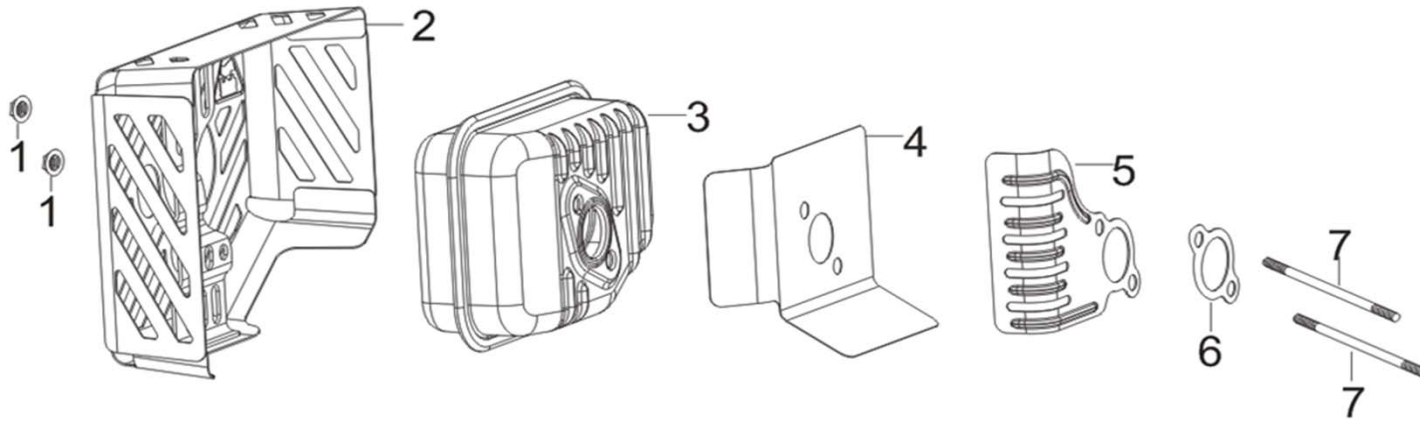
REF.NO.	PART NO		DESCRIPTION	Q'TY
E06-1	16004-Z180210-00A0		GASKET, INSULATOR PLATE	1
E06-2	16003-Z180110-00A0		PLATE, CARBURETOR INSULATOR	1
E06-3	16004-Z180110-00A0		GASKET, INSULATOR PLATE	1
E06-4	16001-Z180110-00A0		GASKET, CARBURETOR	1
E06-5	90207-Z180110-00A0		STUD	2
E06-6	16100-Z180910-0000		CARBURETOR ASSY.	1

**FIG.7 CLEANER COMP, AIR (E07)****7 ( E07 )**

REF.NO.	PART NO		DESCRIPTION	Q'TY
E07-1	17100-Z180410-0000		CLEANER, AIR	1
E07-2	90305-0600-31		NUT	2

# FIG.8 MUFFLER (E08)

## 8 ( E08 )

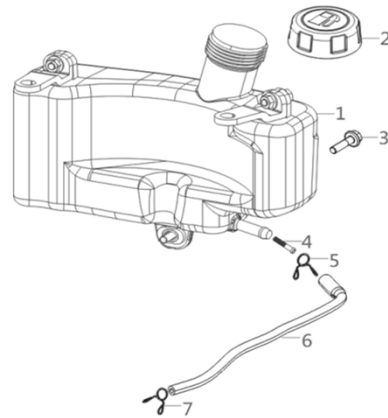


REF.NO.	PART NO		DESCRIPTION	Q'TY
E08-1	90310-0600-31		NUT	2
E08-2	18130-Z180210-QBA0		COVER, MUFFLER OUTER	1
E08-3	18100HZ350310-0000		MUFFLER ASSY	1
E08-4	18001-Z180210-0000		GASKET, EXHAUST OUTLET	1
E08-5	18020-Z350110-00A0		HEAT ISOLATING PLATE, MUFFLER	1
E08-6	18001-Z350110-00A0		GASKET, EXHAUST OUTLET	1
E08-7	90207-Z180220-00A0		TUBE, BREATHER	2



**FIG.9 TANK, FUEL (E09)**

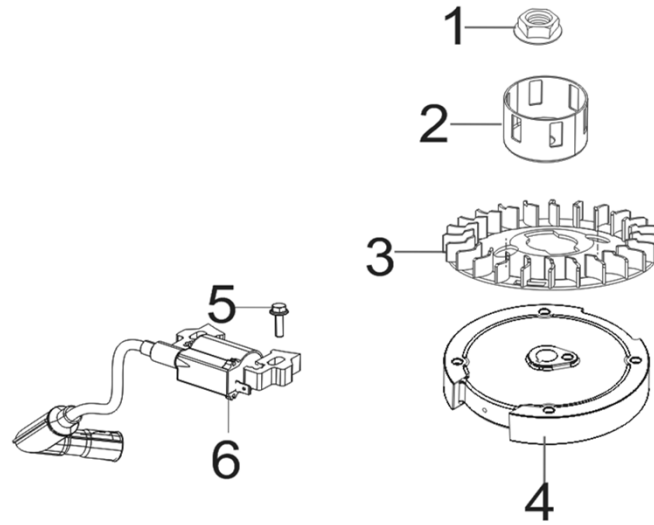
**9 ( E09 )**



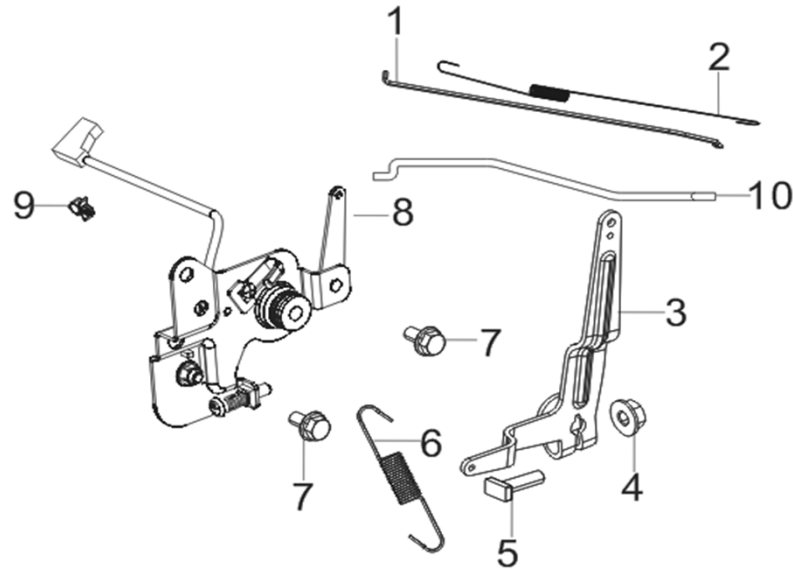
REF.NO.	PART NO		DESCRIPTION	Q'TY
E09-1	16600-Z180210-Q200		TANK, FUEL	1
E09-2	16730-Z250210-0000		COVER, FUEL TANK	1
E09-3	90007-0625-A1		BOLT	1
E09-4	16652-Z030110-0000		STRAINER , FUEL	1
E09-5	90685-1000-01		CLAMP	1
E09-6	90686-Z180110-00A0		TUBE, FUEL	1
E09-7	90685-0700-01		CLAMP	1

**FIG.10 FLYWHEEL ASSY. (E10)**

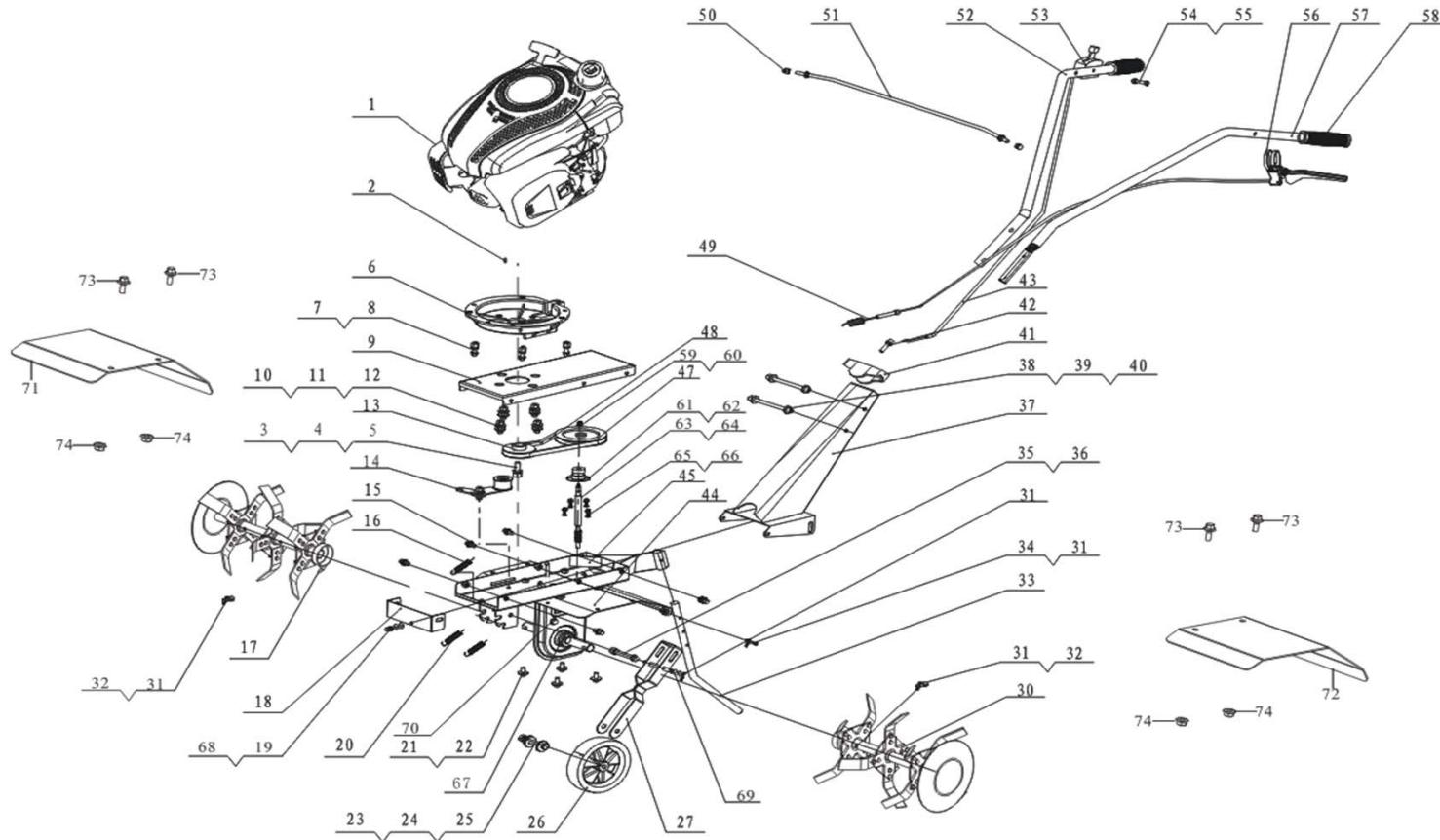
**10 ( E10 )**



REF.NO.	PART NO		DESCRIPTION	Q'TY
E10-1	13501-Z010110-0000		NUT, FLYWHEEL	1
E10-2	28002-Z180110-0000		PULLEY,STARTER	1
E10-3	19352-Z180110-0000		IMPELLER	1
E10-4	13510-Z180210-0000		FLYWHEEL SUBASSEMBLY	1
E10-5	90007-0630-A1		BOLT	1
E10-6	30400-Z180110-0000		COIL, IGNITION	1

**FIG.11 CONTROL ASSY, THROTTLE. (E11)****11 ( E11 )**

REF.NO.	PART NO		DESCRIPTION	Q'TY
E11-1	16062-Z180110-00A0		ROD, GOVERNER	1
E11-2	16012-Z180120-00A0		SPRING, THROTTLE VALVE RETURNING	1
E11-3	16070-Z180110-00A0		SUPPORT SUBASSEMBLY, GOVERNOR	1
E11-4	90305-0600-31		NUT	1
E11-5	16072-Z010110-0000		BOLT, GOVERNOR SUPPORT	1
E11-6	16063-Z180410-0000		SPRING, GOVERNOR	1
E11-7	90007-0612-A1		BOLT	2
E11-8	16520-Z180140-0000		THROTTLE CONTROL	1
E11-9	90684-Z250110-0000		CLAMP	1
E11-10	16123-Z180310-0000		LEVER, CHOKE	1



REF.NO.	PART NO	DESCRIPTION	Q'TY
E21-1	RV150MR00WE-GIT005	Engine	1
E21-2	90521-U050110-0000	Spline	1
E21-3	90007-Z030110-0000	bolt 3/16-24	1
E21-4	90406-1000-E1	Washer M10	1
E21-5	90403-1000-01	Spring washer M10	1
E21-6	76006-U050110-Q200	Gasoline engine supportor	1
E21-7	90310-0800-31	Hexagonal flange nut M8	3
E21-8	90001-0835-01	Hexagon bolt with flange M8×35	3

E21-9	76306-U050110-RY00		Belt cover	1
E21-10	90310-0800-31		Hexagonal flange nut M8	4
E21-11	90406-0800-E1		Big washer M8	8
E21-12	90005-0825-01		Hexagon bolt with flange M8×20	4
E21-13	76305-U050110-0000		Driving shaft pulley	1
E21-14	76210-U050110-0000		Tensioner jointing pulley assy	1
E21-15	90001-0816-01		Hexagon bolt with flangeM8×16	6
E21-16	14402-U050110-0000		Tensioner jointing pulley spring	1
E21-17	76710-U340110-H600		BLADE	1
E21-18	24063-U050110-RY00		BOARD	1
E21-19	90007-0616-A1		Hexagon bolt with flange M6×16	1
E21-20	72106-U050110-0000		Wheel spring	2
E21-21	90406-U050110-0000		Big washer M8	4
E21-22	90001-0816-01		Hexagon bolt with flange M8×16	4
E21-23	90208-U050110-0000		Bolt M10*1.25×58	1
E21-24	90731-U050110-0000		Washer M10M10×22×4	1
E21-25	90325-1000-31		Nut M10	1
E21-26	76008-U050110-H300		Wheel	1
E21-27	76010-U050110-H600		Support wheel	1
E21-30	76710-U340210-H600		BLADE	1
E21-31	90501-0238-01		β Pin φ2×9×38	5
E21-32	90504-U050210-0000		PIN	2
E21-33	76016-U050110-0000		Drag bar	1
E21-34	90504-U050110-0000		B Pin 8×30	1
E21-35	90001-1065-01		Hexagon bolt with flange M10×65	1
E21-36	90325-1000-31		Hexagonal flange nut M10	1
E21-37	54200-U050110-RY00		Handle bar support	1
E21-38	90406-0800-E1		Big washer M8	4
E21-39	90001-08B0-01		Hexagon bolt with flange M8×110	2
E21-40	90327-0800-31		Hexagon nut with flange M8	2
E21-41	54105-U050110-0000		FIXATION, HANDLE	1
E21-42	90001-0825-01		Hexagon bolt with flange M8×24	1
E21-43	16040-U330110-0000		Throttle cable cosrp	1
E21-44	76007-U050110-RY00		Fender	1
E21-45	76350-U340110-RY00		Gear box assy	1

E21-47	76305-U050310-0000		Driven shaft pulley	1
E21-48	76304-U050110-0000		BELT	1
E21-49	54020-U050110-0000		Clutch cable cosrp	1
E21-50	90310-0800-31		Hexagonal flange nut M8	2
E21-51	16905-U050110-H600		handle bar supportor	1
E21-52	54111-U050210-H600		Right handle bar	1
E21-53	16750-U330110-0000		Throttle switch cable cosrp	1
E21-54	90007-0660-A1		Hexagon bolt with flange M6×60	1
E21-55	90325-0600-31		Hexagonal flange nut M6	1
E21-56	54035-U050110-0000		Clutch handle	1
E21-57	54111-U050110-H600		HANDLE	1
E21-58	54101-U050110-0000		RUBBER, HANDLE	2
E21-59	90341-Y2D0310-0000		M8_镀蓝白锌	1
E21-60	90412-U050110-0000		Φ8xΦ16x1.2_镀蓝白锌	1
E21-61	76321-U050110-0000		Worm bearing fixation seat	1
E21-62	90544-6302-00		Deep groove ball bearing RS	1
E21-63	76313-U050210-0000		Worm	1
E21-64	90524-Z270110-0000		GB/T1098.1_4x6.5x16	1
E21-65	90105-0816-01		Cross recessed countersunk head screw	4
E21-66	90327-0800-31		Hexagon nut with flange	4
E21-67	90682-U050110-0000		Oil seal	2
E21-68	90408-0600-E1		Flate washer	2
E21-69	90408-1000-E1		Flate washer	2
E21-70	11007-U050110-0000		BOLT, DRAIN PLUG	1
E21-71	76007-U340210-RY00		Fender	1
E21-72	76007-U340110-RY00		Fender	1
E21-73	90001-0816-01		BOLT	4
E21-74	90327-0800-31		NUT M8	4