

TM900D

TILLER SPARE PARTS MANUAL



Model:1WG3.4-90FQ-Z		Code Number: TA50001707-0002463	LC/LT - 2016 - A
(Crankcase Assy.)			
No.	Part No.	Description	Reqd. QTY
1	110260051-0001	Seal plug M16×16	2
2	380450830-0001	Washer $\phi 16.5 \times \phi 22.5 \times 1.8$	2
3	110810208-0001	Crankcase	1
4	380600169-0001	Pin 8×16	2
5	110690051-0001	Cap assy, oil filler	1
6	380630002-0001	Bearing 6203	1
7	380840792-0001	Seal	1
8	380650337-0001	Oil seal 35×52×7	1
9	130240004-0001	Plate, Bearing	2
10	380140040-0005	Bolt, flange M8×16	2
(Crankcase cover)			
No.	Part No.	Description	Reqd. QTY
1	380140051-0005	Bolt, Flange M8×35	13
2	380650336-0001	Oil seal 30×46×8	1
3	110260053-0001	Seal plug	1
4	150290021-0001	Oil filler assy.	1
5	110690051-0001	Cap assy, oil filler	1
6	380070288-0001	Bolt M12×16	1
7	380450516-0001	Washer $\phi 12 \times \phi 20 \times 2$	1
8	381150514-0001	Compress spring	1

9	380640016-0001	Ball	1
10	110820064-0001	Crankcase cover	1
11	150010068-0001	Pump oil	1
12	380630002-0001	Bearing 6203	1
13	380780123-0001	Pipe inlet oil	1
14	150040029-0001	Plate, Oil pump	1
(Crankcase cover)			
No.	Part No.	Description	Reqd. QTY
15	380140003-0005	Bolt, Flange M6×20	4
16	171750018-0001	Governor Gear Assy.	1
17	110830042-0001	Gasket, Crankcase cover	1
(Cylinder Head Assy.)			
No.	Part No.	Description	Reqd. QTY
1	380140102-0004	Bolt, Flange M6×25	4
2	120220040-0001	Cylinder head cover comp.	1
3	120250031-0001	Gasket, Cylinder head cover	1
4	380140596-0001	Bolt, Flange M10×1.25×90	4
5	120080528-0001	Head comp, Cylinder	1
6	120150153-0001	Gasket, Cylinder	1
	120150190-0001	Gasket, Cylinder	1
	120150191-0001	Gasket, Cylinder	1
7	380600167-0001	Pin 4×12	2
8	380140004-0004	Bolt, Flange M8×20	1
9	120550005-0001	Lifting eye	1

(Connecting rods and Crankshaft)			
No.	Part No.	Description	Reqd. QTY
1	130070138-0001	Ring set	1
2	380560092-0001	Clip, piston pin	2
3	130030157-0001	Piston	1
4	130060058-0001	Pin, piston	1
5	130150083-0001	Conn rod assy	1
6	110280007-0001	Shell, crank pin	2
7	130290400-0001	Crankshaft comp. (A)	1
8	130430018-0001	Balanceshaft	1
9	380450702-0001	Washer $\phi 13 \times \phi 38 \times 3.5$	1
10	380140457-0001	BoltM12 \times 12.5 \times 35	1
1	140450042-0001	Rocker Arm Assy. Intake	1
2	140450043-0001	Rocker Arm Assy. Exhaust	1
3	140320007-0001	Cap, Exh. Valve	2
4	140380036-0001	Seat, valve	2
(Connecting rods and Crankshaft)			
No.	Part No.	Description	Reqd. QTY
8	130430018-0001	Balanceshaft	1
9	380450702-0001	Washer $\phi 13 \times \phi 38 \times 3.5$	1
10	380140457-0001	BoltM12 \times 12.5 \times 35	1
(Valve Train)			
No.	Part No.	Description	Reqd. QTY
1	140450042-0001	Rocker Arm Assy. Intake	1

2	140450043-0001	Rocker Arm Assy. Exhaust	1
3	140320007-0001	Cap, Exh. Valve	2
4	140380036-0001	Seat, valve	2
5	140390026-0001	Lock clamp, Valve	4
6	140340035-0001	Valve spring	2
7	140400022-0001	Seal valve stem	2
8	140360014-0001	Seat bottom, Valve	2
9	500550040-0001	Valve kit	1
10	140020145-0001	Camshaft comp.	1
11	140720008-0001	Plate guide valve	1
12	140670024-0001	Push rod comp.	2
13	140690020-0001	Tappet valve	2
(Flywheel)			
No.	Part No.	Description	Reqd. QTY
1	270020227-0001	Flywheel	1
(Pullstart Assy)			
No.	Part No.	Description	Reqd. QTY
1	160180027-0001	Fan	1
2	660880002-0001	Plate, Fan	1
3	193590019-0001	Cup Starter	1
4	380450702-0001	Washer $\phi 13 \times \phi 38 \times 3.5$	1
5	380140457-0001	BoltM12 \times 12.5 \times 35	1
6	380840758-0001	Seal	1
7	193490156-0001	Pullstart Assy	1

8	380450828-0001	Washer $\phi 6 \times \phi 18 \times 1.2$	4
9	380140095-0005	Bolt, Flange M6 \times 30	4
(Air cleaner)			
No.	Part No.	Description	Reqd. QTY
1	380180156-0001	Stud M8 \times 32.5	2
2	183000001-0001	Gasket, In.	1
3	180420579-0001	Intank Pipe	1
4	380370066-0004	Nut M8	5
5	183000003-0001	Gasket, In.	1
6	180010115-0001	air cleaner assy	1
7	180090071-T270	Seal	1
8	180130248-T270	Filter	1
9	380180143-0001	Stud M6 \times 28	3
(Muffler)			
No.	Part No.	Description	Reqd. QTY
1	380140102-0004	Bolt, Flange M6 \times 25	4
2	380450828-0001	Washer $\phi 6 \times \phi 18 \times 1.2$	4
3	160190051-0001	Air conduction cover	1
4	380340005-0005	Nut M8	2
5	380180098-0001	Stud M8 \times 34	2
6	180660064-0001	Gasket, Muffler	1
7	380140004-0004	Bolt, Flange M8 \times 20	2
8	180571299-0001	Muffler	1

(Fuel Sysstem)			
No.	Part No.	Description	Reqd. QTY
1	170010030-0001	Fuel filter	1
2	660310019-0001	Seal, Fuel net	1
3	170870089-0001	Cap Comp.	1
4	170500800-0001	Fuel tank	1
5	171020032-0001	Seal, Fuel Tap	1
6	170980092-0001	Fuel Tap Assy.	1
7	380370066-0004	Nut, Flange M6	7
8	380960198-0001	Lathe dog comp. Φ 13	2
9	380750486-0001	Vitta	1
10	380140004-0004	Bolt, Flange M8 \times 20	2
11	301560017-0001	Fuel tank, bracket	1
12	170700141-0001	Bush Rubber	4
13	110260056-0001	Seal plug M12 \times 1.25 \times 14	1
14	380450916-0001	Washer Φ 12.5 \times Φ 20 \times 2	1
15	380960170-0002	Lathe dog comp. Φ 9	2
(Fuel Sysstem)			
No.	Part No.	Description	Reqd. QTY
16	380750487-0001	Vitta	1
17	380180138-0001	Stud M6 \times 54	2
18	174180001-0001	Injector, Plate	1
19	173010004-0001	Injector	1
20	380450829-0001	Washer Φ 8 \times Φ 16.5 \times 0.5	1

21	380750471-0001	Vitta	1
22	380180137-0001	Stud M6×38	2
23	380180145-0001	Stud M6×38	1
24	174160001-0001	Fuel Pump, Plate	1
25	174170001-0001	Gasket, Fuel pump	1
26	174130001-0001	Fuel pump	1
27	174140001-0001	Adjusting gasket, Fuel pump	1
	174140001-0002	Adjusting gasket, Fuel pump	1
	174140001-0003	Adjusting gasket, Fuel pump	1
28	170720010-0001	Fuel Filler, Assy.	1
29	301560016-0001	Underprop, Fuel tank	1
30	380140005-0006	Bolt, Flange M8×40	2
(Governor System)			
No.	Part No.	Description	Reqd. QTY
1	380140215-0003	Bolt, Flange M6×14	2
2	171340029-T270	Knob control	1
3	380350008-0001	Nonmetal hexagon nuts M6	1
4	171580019-0001	Control assy	1
5	174230001-0001	Fuel stop assy.	1
6	381160150-0001	Torsional spring	1
7	381140478-0001	spring	1
8	171600042-0001	Spring, Governor	1
9	380650377-0001	Oil seal 8×14×5	1
10	380450592-0001	Washer $\phi 8.5 \times \phi 15.8 \times 2$	2

11	194530005-0001	Fork	1
(GEAR BOX)			
No.	Part No.	Description	Reqd. QTY
1	380410025-0001	NUT M12	1
2	380590056-0001	PIN GB/T 91 2.5×22	1
3	380450824-0001	WASHER $\phi 12 \times \phi 26 \times 2$	1
4	195100003-0001	DRIVEN GEAR	1
5	380630355-0001	BEARING 30206 GB/T297	1
6	191910009-0001	GEAR BOX	1
7	380650528-0001	OIL SEAL 45×62×8	4
8	380630354-0001	BEARING 6009 GB/T276	1
9	380822425-0001	BUSH	1
10	193040007-0001	DRIVEN SHAFT	1
11	195100004-0001	DRIVEN GEAR	1
12	380630356-0001	BEARING 32009 GB/T297	1
13	191930012-0001	GEAR BOX COVER	1
14	191920012-0001	COVER	1
15	380450129-0003	WASHER	6
16	380460002-0006	ELASTICITY WASHER	6
17	380070103-0004	BOLT	6
18	380840866-0001	SEAL RING	1
19	110260054-0001	BOLT, DRAIN PLUG	1
20	380630345-0001	BEARING 30204 GB/T297	1
21	196010003-0001	DRIVING SHAFT	1

(MAIN SHAFT)			
No.	Part No.	Description	Reqd. QTY
1	380640007-0001	STEEL BALL $\phi 6.3$	4
2	381150504-0001	SPRING	2
3	380560094-0001	STEEL CIRCLE	2
4	191260058-0001	MAIN SHAFT	1
5	195230005-0001	DRIVING GEAR	1
6	380590056-0001	PIN GB/T 91 2.5 \times 22	1
7	380410025-0001	NUT M12	1
8	192990009-0001	SLEEVE	1
9	381150503-0001	SPRING	1
10	380450794-0001	WASHER $\phi 16.5 \times \phi 30 \times 4$	1
11	191810003-0001	REVERSE GEAR	1
12	195570002-0001	TRAY	1
13	194480003-0001	REVERSE GEAR SHAFT	1
(WHEEL BOX)			
No.	Part No.	Description	Reqd. QTY
1	380610177-0001	PIN 6 \times 41	1
2	380590010-0003	PIN 1.6 \times 20	2
3	192430016-0001	SHIFT ARM	1
4	380822344-0001	BUSH $\phi 16 \times \phi 20 \times 36$	1
5	380840789-0001	AIRPROOF CIRCLE	6
6	195300003-0001	SHIFT CAM	1
7	192370011-0001	SHIFT DIAL	1

8	380822418-0001	BUSH $\phi 16 \times \phi 20 \times 32$	3
9	110690053-0001	DIPSTICK	1
10	380630005-0001	BEARING 6204 GB/T276	1
11	380840791-0001	AIRPROOF CIRCLE	1
12	195190003-0001	SEAL SEAT	1
13	380840788-0001	AIRPROOF CIRCLE	2
14	380650349-0001	OIL SEAL $25 \times 40 \times 7$	1
15	380822345-0001	BUSH $\phi 20 \times \phi 25.2 \times 12.8$	1
16	380490017-0001	STOP WASHER	2
17	380810052-0001	NUT GB/T812 M20 $\times 1.5$	2
18	380620106-0001	KEY	1
19	192660002-0001	JACKET	1
20	380450039-0003	WASHER 8	2
21	380460001-0006	WASHER GB/T93 8	2
22	380070045-0005	BOLT M8 $\times 25$	2
23	141140004-0001	DUSTPROOF CAP	1
24	380450004-0003	WASHER 6	2
25	380460003-0003	WASHER	4
26	380190008-0005	BOLT M6 $\times 20$	4
27	380340005-0005	NUT M8	2
28	193910019-0001	POTHOOK	2
(WHEEL BOX)			
No.	Part No.	Description	Reqd. QTY
29	380600156-0001	PIN $\phi 5 \times 10$	1

30	380450826-0001	WASHER $\phi 10.5 \times \phi 22 \times 4$	1
31	380460002-0006	WASHER 10	1
32	380070123-0004	BOLT M10 \times 25	1
33	380630345-0001	BEARING 30204	2
34	380520003-0001	WASHER	1
35	660310016-0001	GASKET	1
36	191690003-0001	OIL SEAL COVER	1
37	380190005-0006	BOLT M6 \times 16	4
38	191250082-TA20	MAIN SHAFT PARTS	1
39	196180001-TA20	REVERSE GEAR SHAFT PARTS	1
40	380840790-0001	AIRPROOF CIRCLE	1
41	380620107-0001	KEY	1
42	195240005-0001	DOUBLE DRIVEN GEAR	1
43	191400084-0001	DRIVEN SHAFT	1
44	110180024-0001	WHEEL BOX	1
45	380600166-0001	PIN $\phi 5 \times 30$	1
46	192120057-0001	FORK	1
47	192130026-0001	FORK SHAFT	1
48	660190015-0001	SEAT	1
49	380450003-0006	WASHER 8	1
50	380350006-0001	NUT M8	1
51	380550031-0001	ELASTICITY CUSHION	1
52	192120058-0001	FORK	1
53	190810055-0001	JOY STICK	1

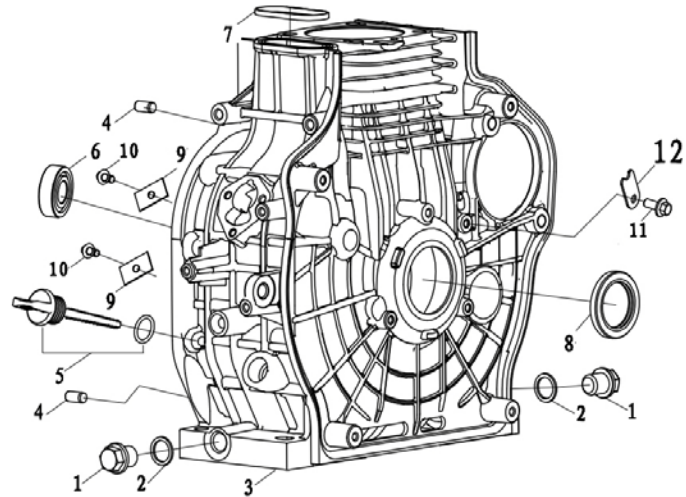
54	380610178-0001	PIN SHAFT 6×28	1
55	193910016-0001	POTHOOK	1
(MULRIPLE ARMREST)			
No.	Part No.	Description	Reqd. QTY
1	171210496-0001	ROPE	1
2	320400076-0001	MULRIPLE ARMREST	1
3	380070014-0006	BOLT M6×25	2
4	320180196-0001	ARMREST RUBBER HANDLE	2
5	271510151-0001	RIGHT HANDLE PARTS	1
6	381350010-0001	PIN, LOCK	2
7	380350003-0002	NUT M6	4
8	193910017-0001	POTHOOK	2
9	271660067-0001	SWITCH	1
10	320240396-0001	ROPE	1
11	196780005-0001	ROPE	1
12	192490004-0001	HANDLE COVER	1
13	661750002-0001	HANDLE	1
14	380140013-0005	BOLT, FLANGE M6×16	2
15	312730107-0001	TOOL BOX	1
16	320440005-0002	ADJUSTIVE GEAR DISC	1
17	271550025-0001	ADJUSTIVE NUT M16	1
18	320050062-0001	JION SEAT	1
19	170700122-0001	SHOCK ABSORPTION MAT	1
20	380450004-0003	WASHER 6	2

21	380070100-0004	BOLT M10×40	4
22	380450129-0003	WASHER 10	4
23	380350009-0001	NUT M10	4
24	271510154-0001	RIGHT HANDLE PARTS	1
(ENGINE)			
No.	Part No.	Description	Reqd. QTY
1	111360002-0001	FLANGE CUSHION	1
2	111350006-0001	FLANGE	1
3	110200017-0001	GEAR BOX CUSHION	1
4	380460001-0006	ELASTICITY CUSHION	5
5	380630295-0001	BEARING 6007	1
6	380190011-0007	BOLT M8×25	4
7	190010164-0001	CLUTCH	1
8	380070045-0005	BOLT M8×25	1
9	380450524-0001	WASHER $\phi 8.5 \times \phi 23 \times 3$	1
10	380070100-0004	BOLT	7
11	380070039-0003	BOLT	4
12	300110151-0001	BRACKET	1
13	380350009-0001	NUT	11
14	380450129-0003	WASHER	4
15	T272000019-0001001	ENGINE	1
16	191940003-0001	GEAR BOX MAT	1
17	380460002-0006	ELASTICITY CUSHION	4
18	380070170-0001	BOLT M10×30	2

19	380070103-0004	BOLT M10×35	2
20	380450006-0005	WASHER	6
21	331380143-0001	Bumper Parts	1
(BLADE ASSEMBLY)			
No.	Part No.	Description	Reqd. QTY
1	380070228-0002	BOLT	2
2	381350011-0001	PIN, LOCK	4
3	380610047-0001	PIN SHAFT 8×50	2
4	195640007-0001	DUSTPROOF COVER	2
5	193050025-0001	OUTPUT SHAFT	1
6	380340012-0005	NUT	2
7	380350009-0001	NUT	5
8	380450006-0005	WASHER 4	7
9	380070326-0001	BOLT 4	3
10	661380004-0001	DAMPING SEAT	1
11	380070018-0004	BOLT M8×20	6
12	380450524-0001	WASHER	4
13	380350003-0002	NUT	10
14	380450004-0003	WASHER	10
15	661530031-0001	FENDER BRACKET	1
16	661530030-0001	FENDER BRACKET	1
17	661530009-0001	FENDER BRACKET	1
18	380070170-0001	BOLT	2
19	661390006-0001	DAMPING ARM SEAT	1

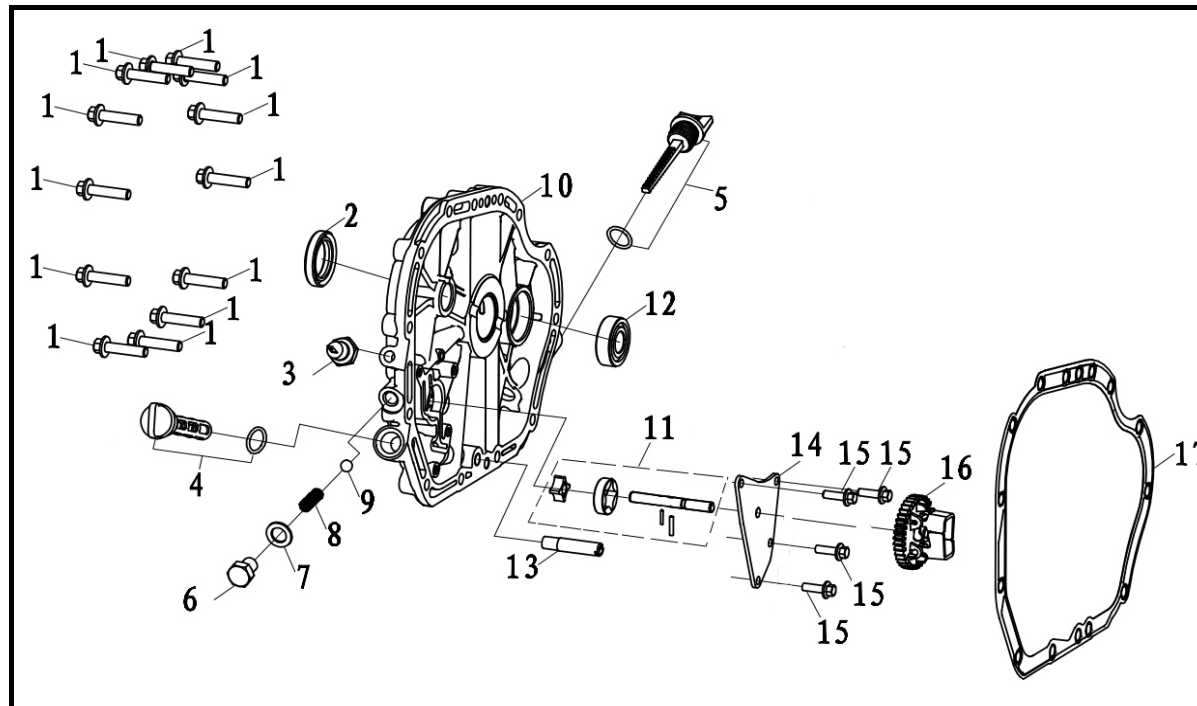
20	381350012-0001	PIN, LOCK	1
21	661550004-0001	PIN	1
22	380140013-0005	BOLT, FLANGE	10
23	661420004-0001	Left Fender	1
24	661430004-0001	Right Fender	1
25	380610184-0001	PIN SHAFT	1
26	661400002-0002	DAMPING ARM	1
27	195720001-0001	SHIFT STAFF COVER	1
28	195940002-0001	SHIFT STAFF ASSEMBLY	1
(BLADE ASSEMBLY)			
No.	Part No.	Description	Reqd. QTY
1	661740003-0001	CUT TRAY	2
2	661520005-0001	RIGHT KNIFE	16
3	661510005-0001	LEFT KNIFE	16
4	501400001-0001	BOLT	1
5	661720008-0001	MAIN TILTH KNIFE TUBE	2
6	661730005-0001	SUBSIDIARY TILTH KNIFE TUBE	2
7	661730007-0001	SUBSIDIARY TILTH KNIFE TUBE	2
(WHEEL COMP)			
No.	Part No.	Description	Reqd. QTY
1	380340005-0006	NUT M8	10
2	380460001-0008	ELASTICITY CUSHION	10
3	660730035-0001	AXLE	2
4	660710013-0001	SUPPORT HUB	2

5	290180266-0001	INNER TUBE	2
6	290160406-0001	SHOE	2
7	660710012-0001	SUPPORT HUB	2
8	380070072-0002	BOLT M8×16	10
9	660690019-0001	SUPPORTING WHEEL PARTS	1
10	660690021-0001	SUPPORTING WHEEL PARTS	1
11	380070301-0001	BOLT M10×20	16
12	380460002-0003	ELASTICITY CUSHION	16
13	380340010-0007	NUT M10	16
No.	Part No.	Description	Reqd. QTY
1	662070002-0001	Furrower	1
2	195150002-0001	Alex Sleeve, forward gear	2



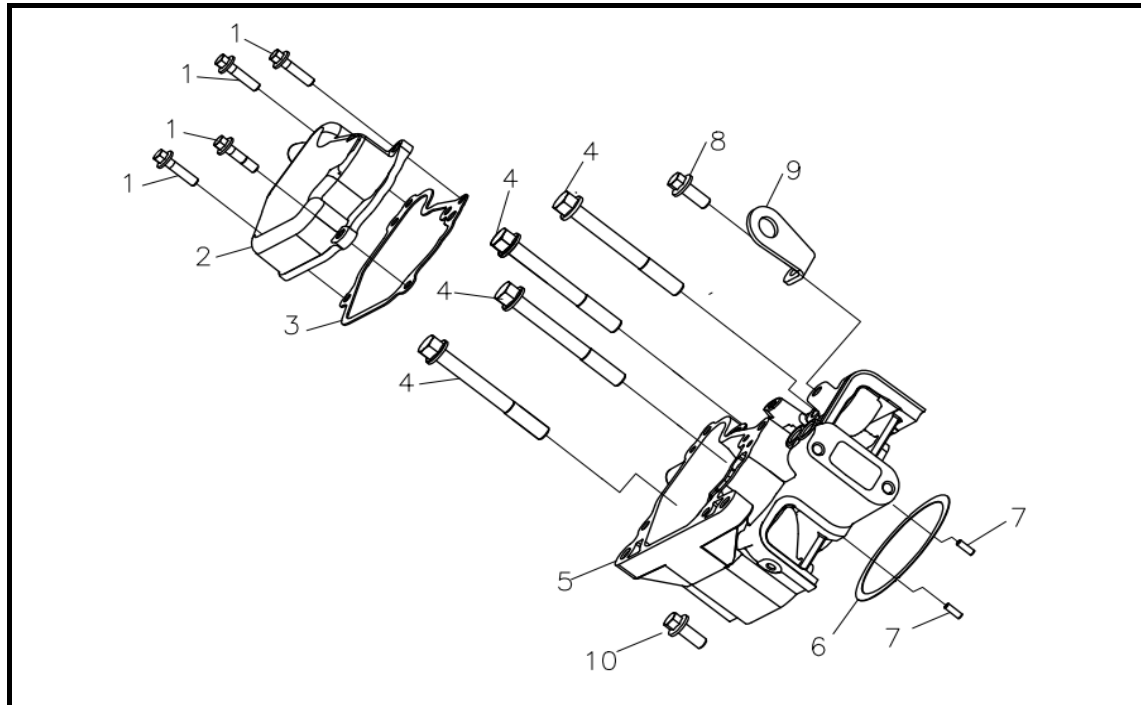
(Crankcase Assy.)

No.	Part No.	Description	Reqd. QTY
1	110260051-0001	Seal plug M16×16	2
2	380450830-0001	Washer $\phi 16.5 \times \phi 22.5 \times 1.8$	2
3	110810208-0001	Crankcase	1
4	380600169-0001	Pin 8×16	2
5	110690051-0001	Cap assy, oll filler	1
6	380630002-0001	Bearing 6203	1
7	380840792-0001	Seal	1
8	380650337-0001	Oil seal 35×52×7	1
9	130240004-0001	Plate, Bearing	2
10	380140040-0005	Bolt, flange M8×16	2



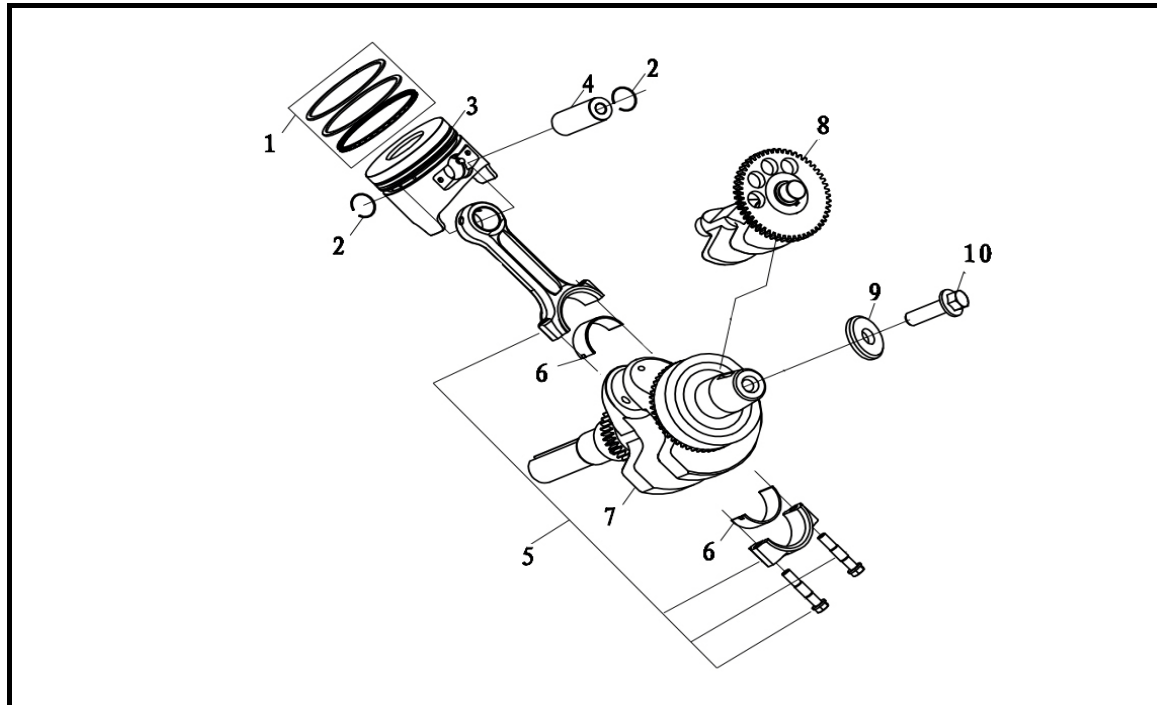
(Crankcase cover)

No.	Part No.	Description	Reqd. QTY
1	380140051-0005	Bolt, Flange M8×35	13
2	380650336-0001	Oil seal 30×46×8	1
3	110260053-0001	Seal plug	1
4	150290021-0001	Oil filler assy.	1
5	110690051-0001	Cap assy, oil filler	1
6	380070288-0001	Bolt M12×16	1
7	380450516-0001	Washer $\phi 12 \times \phi 20 \times 2$	1
8	381150514-0001	Compress spring	1
9	380640016-0001	Ball	1
10	110820064-0001	Crankcase cover	1
11	150010068-0001	Pump oil	1
12	380630002-0001	Bearing 6203	1
13	380780123-0001	Pipe inlet oil	1
14	150040029-0001	Plate, Oil pump	1



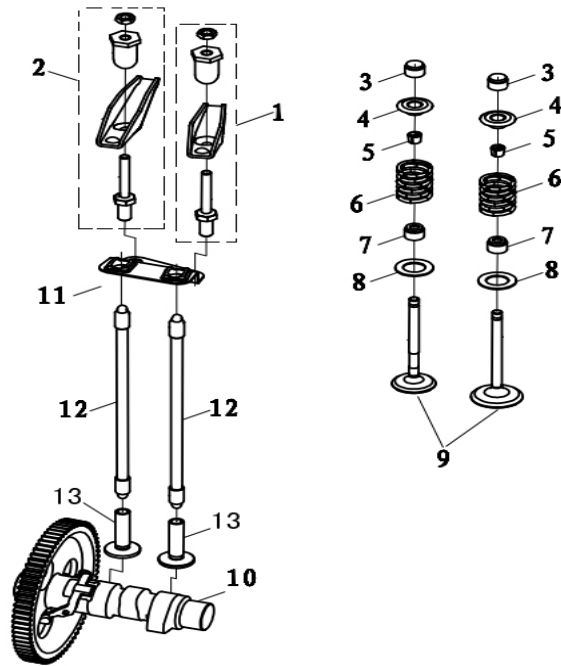
(Cylinder Head Assy.)

No.	Part No.	Description	Reqd. QTY
1	380140102-0004	Bolt, Flange M6×25	4
2	120220040-0001	Cylinder head cover comp.	1
3	120250031-0001	Gasket, Cylinder head cover	1
4	380140596-0001	Bolt, Flange M10×1.25×90	4
5	120080528-0001	Head comp, Cylinder	1
6	120150153-0001	Gasket, Cylinder	1
	120150190-0001	Gasket, Cylinder	1
	120150191-0001	Gasket, Cylinder	1
7	380600167-0001	Pin 4×12	2
8	380140004-0004	Bolt, Flange M8×20	1
9	120550005-0001	Lifting eye	1



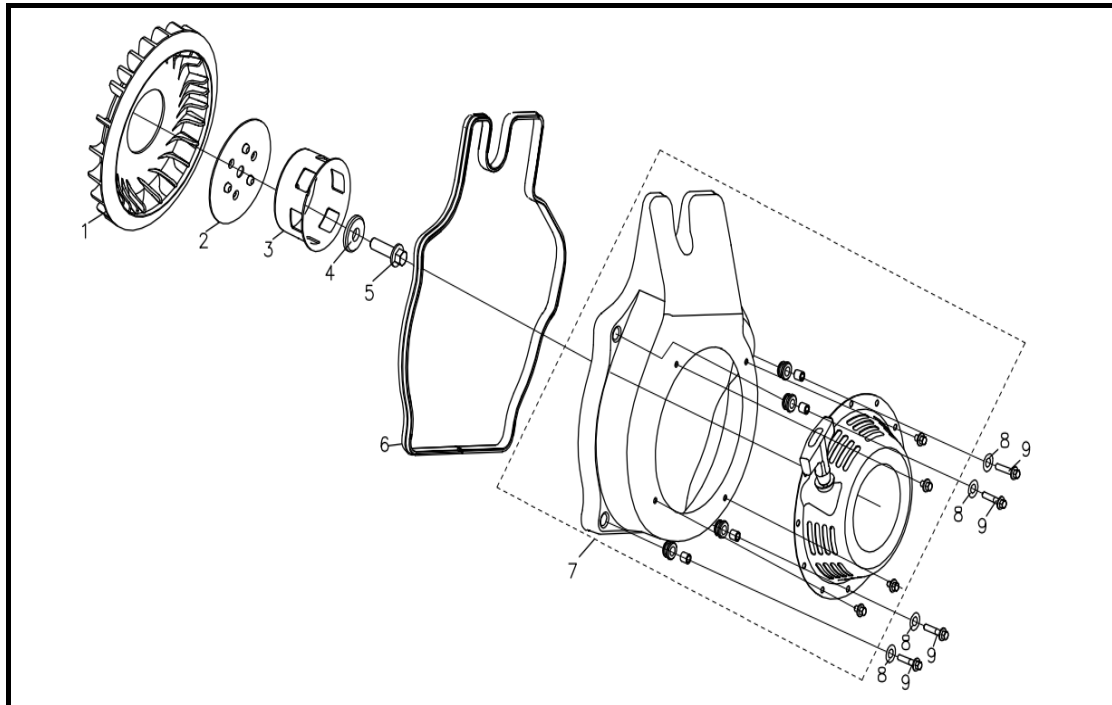
(Connecting rods and Crankshaft)

No.	Part No.	Description	Reqd. QTY
1	130070138-0001	Ring set	1
2	380560092-0001	Clip, piston pin	2
3	130030157-0001	Piston	1
4	130060058-0001	Pin, piston	1
5	130150083-0001	Conn rod assy	1
6	110280007-0001	Shell, crank pin	2
7	130290400-0001	Crankshaft comp. (A)	1
8	130430018-0001	Balanceshaft	1
9	380450702-0001	Washer $\phi 13 \times \phi 38 \times 3.5$	1
10	380140457-0001	BoltM12 \times 12.5 \times 35	1
1	140450042-0001	Rocker Arm Assy. Intake	1
2	140450043-0001	Rocker Arm Assy. Exhaust	1
3	140320007-0001	Cap, Exh. Valve	2
4	140380036-0001	Seat, valve	2



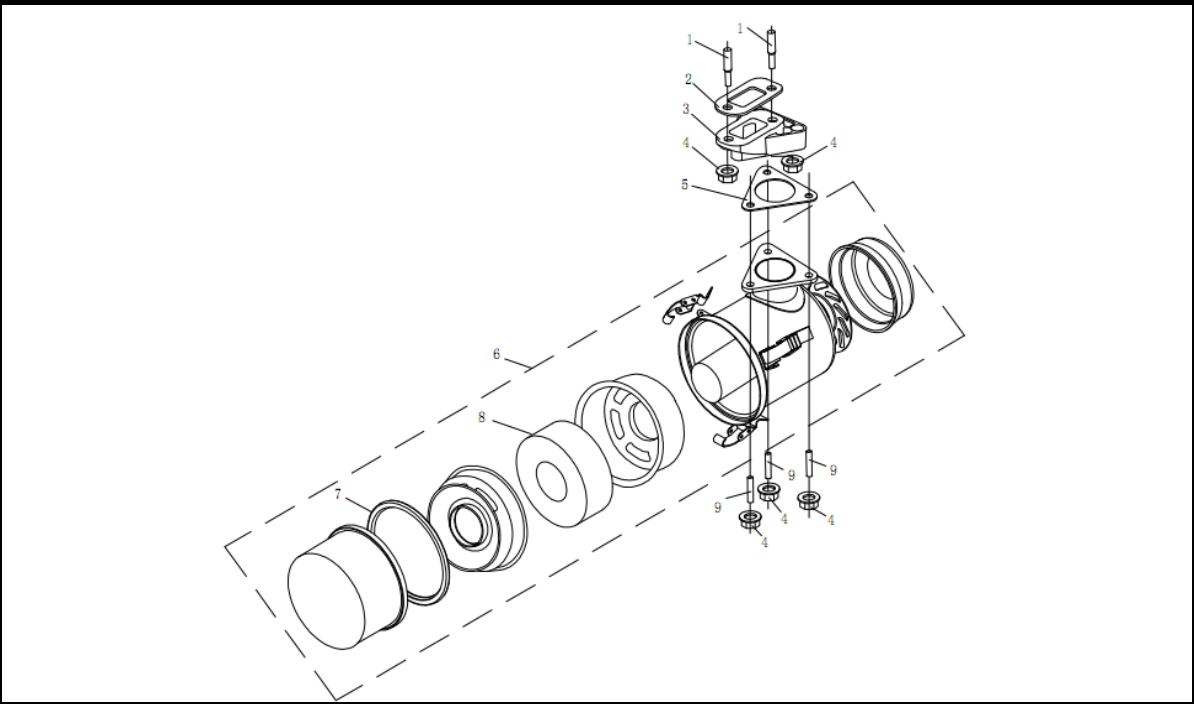
(Valve Train)

No.	Part No.	Description	Reqd. QTY
1	140450042-0001	Rocker Arm Assy. Intake	1
2	140450043-0001	Rocker Arm Assy. Exhaust	1
3	140320007-0001	Cap, Exh. Valve	2
4	140380036-0001	Seat, valve	2
5	140390026-0001	Lock clamp, Valve	4
6	140340035-0001	Valve spring	2
7	140400022-0001	Seal valve stem	2
8	140360014-0001	Seat bottom, Valve	2
9	500550040-0001	Valve kit	1
10	140020145-0001	Camshaft comp.	1
11	140720008-0001	Plate guide valve	1
12	140670024-0001	Push rod comp.	2
13	140690020-0001	Tappet valve	2



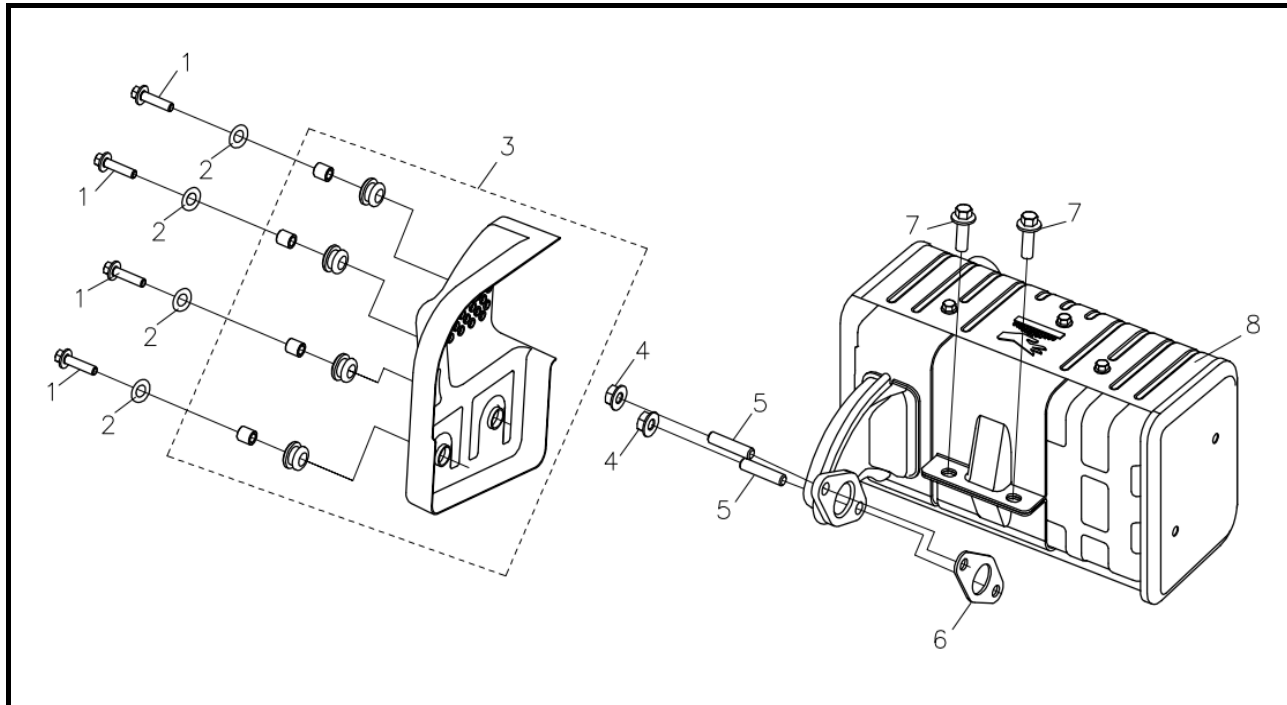
(Pullstart Assy)

No.	Part No.	Description	Reqd. QTY
1	160180027-0001	Fan	1
2	660880002-0001	Plate, Fan	1
3	193590019-0001	Cup Starter	1
4	380450702-0001	Washer $\phi 13 \times \phi 38 \times 3.5$	1
5	380140457-0001	Bolt M12 $\times 12.5 \times 35$	1
6	380840758-0001	Seal	1
7	193490156-0001	Pullstart Assy	1
8	380450828-0001	Washer $\phi 6 \times \phi 18 \times 1.2$	4
9	380140095-0005	Bolt, Flange M6 $\times 30$	4



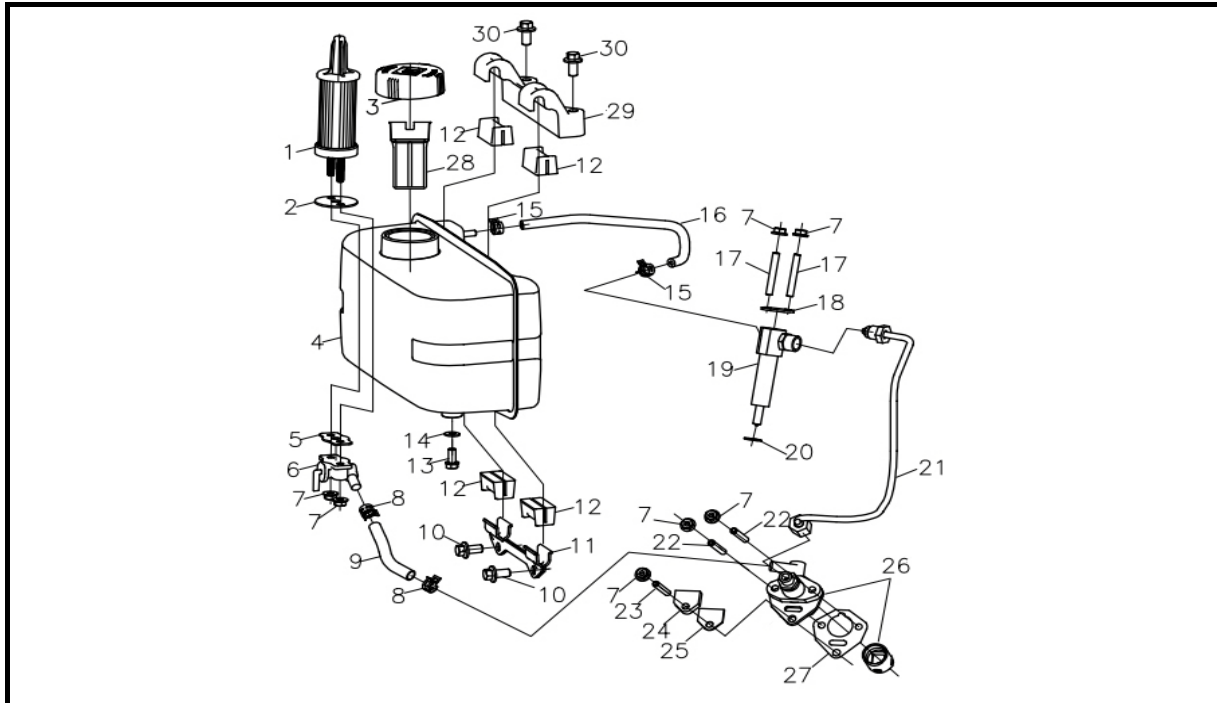
(Air cleaner)

No.	Part No.	Description	Reqd. QTY
1	380180156-0001	Stud M8×32.5	2
2	183000001-0001	Gasket, In.	1
3	180420579-0001	Intank Pipe	1
4	380370066-0004	Nut M8	5
5	183000003-0001	Gasket, In.	1
6	180010115-0001	air cleaner assy	1
7	180090071-T270	Seal	1
8	180130248-T270	Filter	1
9	380180143-0001	Stud M6×28	3



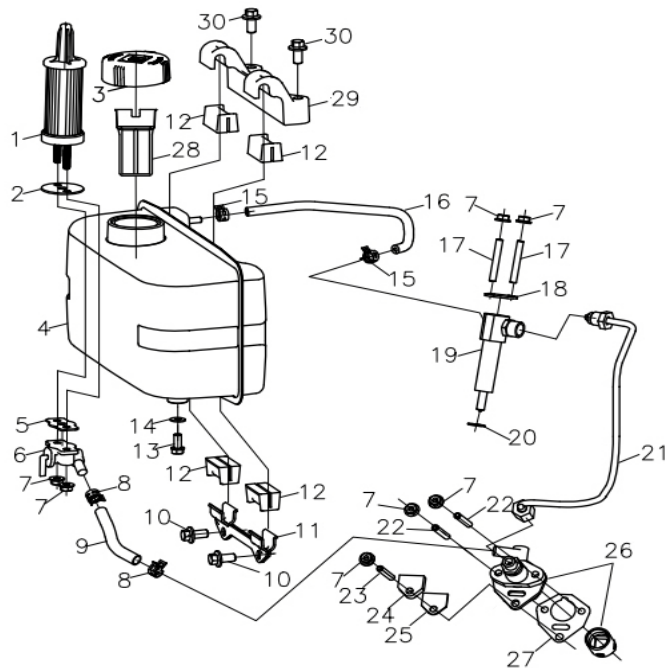
(Muffler)

No.	Part No.	Description	Reqd. QTY
1	380140102-0004	Bolt, Flange M6×25	4
2	380450828-0001	Washer $\phi 6 \times \phi 18 \times 1.2$	4
3	160190051-0001	Air conduction cover	1
4	380340005-0005	Nut M8	2
5	380180098-0001	Stud M8×34	2
6	180660064-0001	Gasket, Muffler	1
7	380140004-0004	Bolt, Flange M8×20	2
8	180571299-0001	Muffler	1



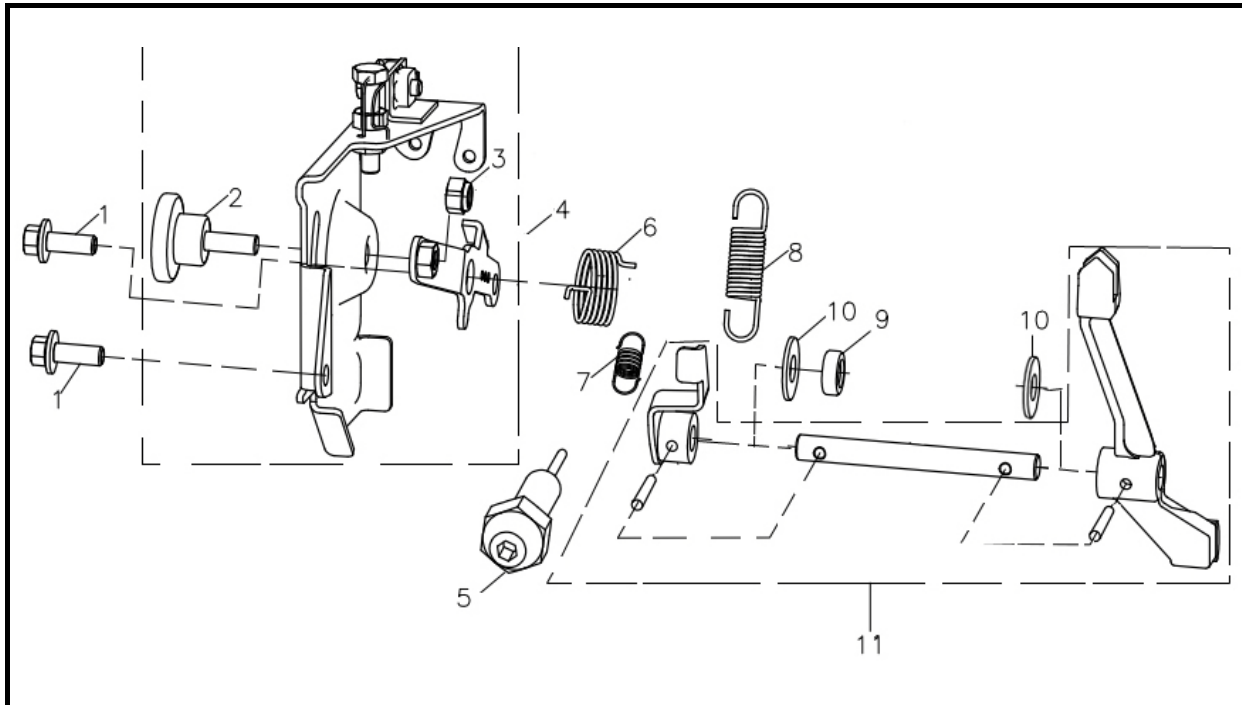
(Fuel System)

No.	Part No.	Description	Reqd. QTY
1	170010030-0001	Fuel filter	1
2	660310019-0001	Seal, Fuel net	1
3	170870089-0001	Cap Comp.	1
4	170500800-0001	Fuel tank	1
5	171020032-0001	Seal, Fuel Tap	1
6	170980092-0001	Fuel Tap Assy.	1
7	380370066-0004	Nut, Flange M6	7
8	380960198-0001	Lathe dog comp. $\Phi 13$	2
9	380750486-0001	Vitta	1
10	380140004-0004	Bolt, Flange M8 \times 20	2
11	301560017-0001	Fuel tank, bracket	1
12	170700141-0001	Bush Rubber	4
13	110260056-0001	Seal plug M12 \times 1.25 \times 14	1
14	380450916-0001	Washer $\Phi 12.5 \times \Phi 20 \times 2$	1
15	380960170-0002	Lathe dog comp. $\Phi 9$	2



(Fuel System)

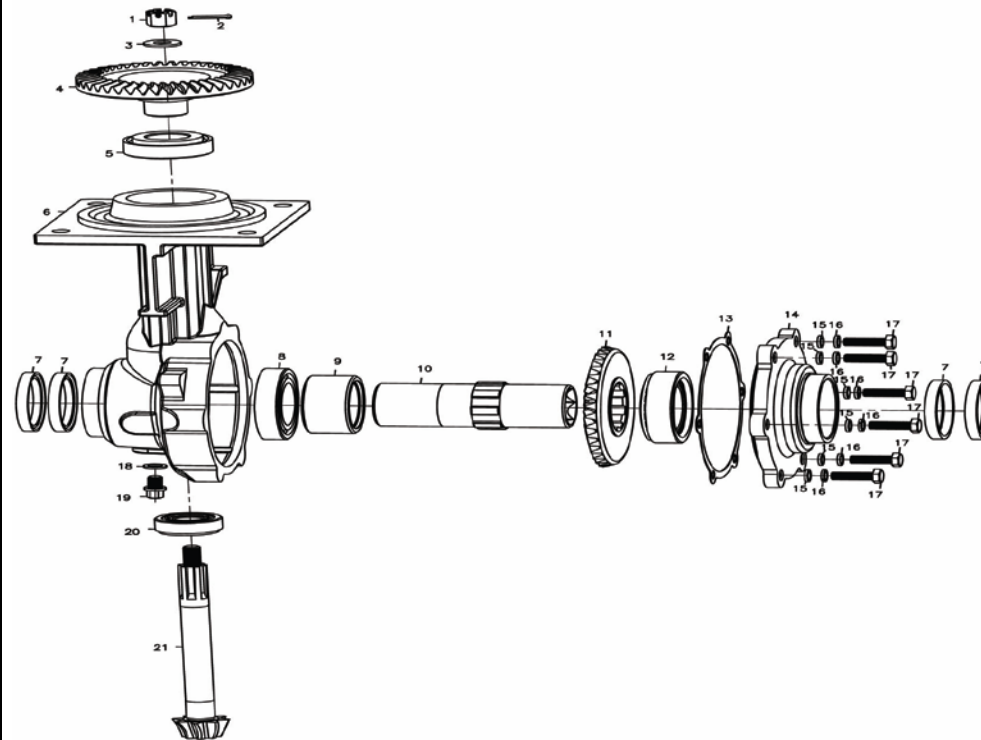
No.	Part No.	Description	Reqd. QTY
16	380750487-0001	Vitta	1
17	380180138-0001	Stud M6×54	2
18	174180001-0001	Injector, Plate	1
19	173010004-0001	Injector	1
20	380450829-0001	Washer $\phi 8 \times \phi 16.5 \times 0.5$	1
21	380750471-0001	Vitta	1
22	380180137-0001	Stud M6×38	2
23	380180145-0001	Stud M6×38	1
24	174160001-0001	Fuel Pump, Plate	1
25	174170001-0001	Gasket, Fuel pump	1
26	174130001-0001	Fuel pump	1
27	174140001-0001	Adjusting gasket, Fuel pump	1
	174140001-0002	Adjusting gasket, Fuel pump	1
	174140001-0003	Adjusting gasket, Fuel pump	1
28	170720010-0001	Fuel Filler, Assy.	1
29	301560016-0001	Underprop, Fuel tank	1
30	380140005-0006	Bolt, Flange M8×40	2



(Governor System)

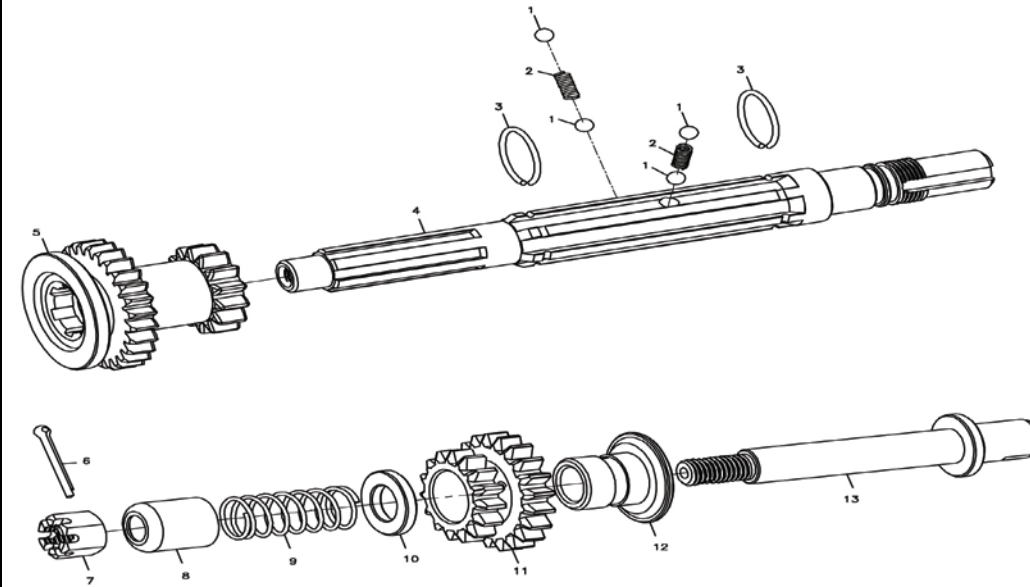
No.	Part No.	Description	Reqd. QTY
1	380140215-0003	Bolt, Flange M6×14	2
2	171340029-T270	Knob control	1
3	380350008-0001	Nonmetal hexagon nuts M6	1
4	171580019-0001	Control assy	1
5	174230001-0001	Fuel stop assy.	1
6	381160150-0001	Torsional spring	1
7	381140478-0001	spring	1
8	171600042-0001	Spring, Governor	1
9	380650377-0001	Oil seal 8×14×5	1
10	380450592-0001	Washer φ8.5×φ15.8×2	2
11	194530005-0001	Fork	1

(GEAR BOX)			
No.	Part No.	Description	Reqd. QTY
1	380410025-0001	NUT M12	1
2	380590056-0001	PIN GB/T 91 2.5×22	1
3	380450824-0001	WASHER $\phi 12 \times \phi 26 \times 2$	1
4	195100003-0001	DRIVEN GEAR	1
5	380630355-0001	BEARING 30206 GB/T297	1
6	191910009-0001	GEAR BOX	1
7	380650528-0001	OIL SEAL 45×62×8	4
8	380630354-0001	BEARING 6009 GB/T276	1
9	380822425-0001	BUSH	1
10	193040007-0001	DRIVEN SHAFT	1
11	195100004-0001	DRIVEN GEAR	1
12	380630356-0001	BEARING 32009 GB/T297	1
13	191930012-0001	GEAR BOX COVER	1
14	191920012-0001	COVER	1
15	380450129-0003	WASHER	6
16	380460002-0006	ELASTICITY WASHER	6
17	380070103-0004	BOLT	6
18	380840866-0001	SEAL RING	1
19	110260054-0001	BOLT, DRAIN PLUG	1
20	380630345-0001	BEARING 30204 GB/T297	1
21	196010003-0001	DRIVING SHAFT	1



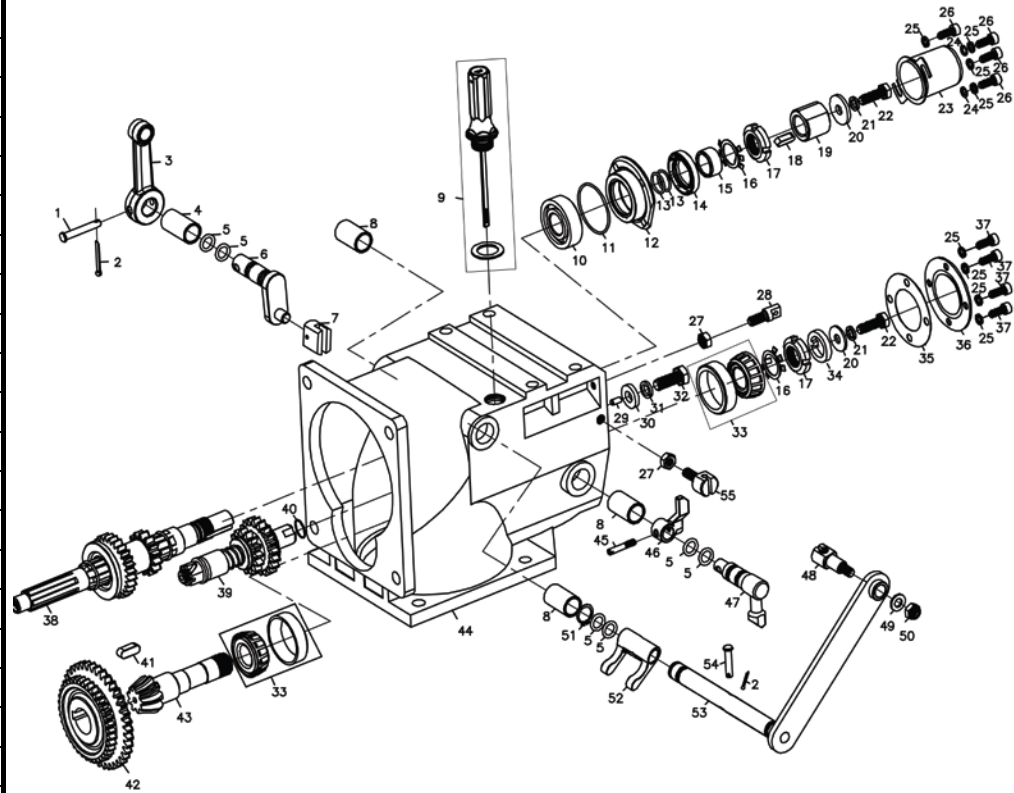
(MAIN SHAFT)

No.	Part No.	Description	Reqd. QTY
1	380640007-0001	STEEL BALL $\phi 6.3$	4
2	381150504-0001	SPRING	2
3	380560094-0001	STEEL CIRCLE	2
4	191260058-0001	MAIN SHAFT	1
5	195230005-0001	DRIVING GEAR	1
6	380590056-0001	PIN GB/T 91 2.5 \times 22	1
7	380410025-0001	NUT M12	1
8	192990009-0001	SLEEVE	1
9	381150503-0001	SPRING	1
10	380450794-0001	WASHER $\phi 16.5 \times \phi 30 \times 4$	1
11	191810003-0001	REVERSE GEAR	1
12	195570002-0001	TRAY	1
13	194480003-0001	REVERSE GEAR SHAFT	1

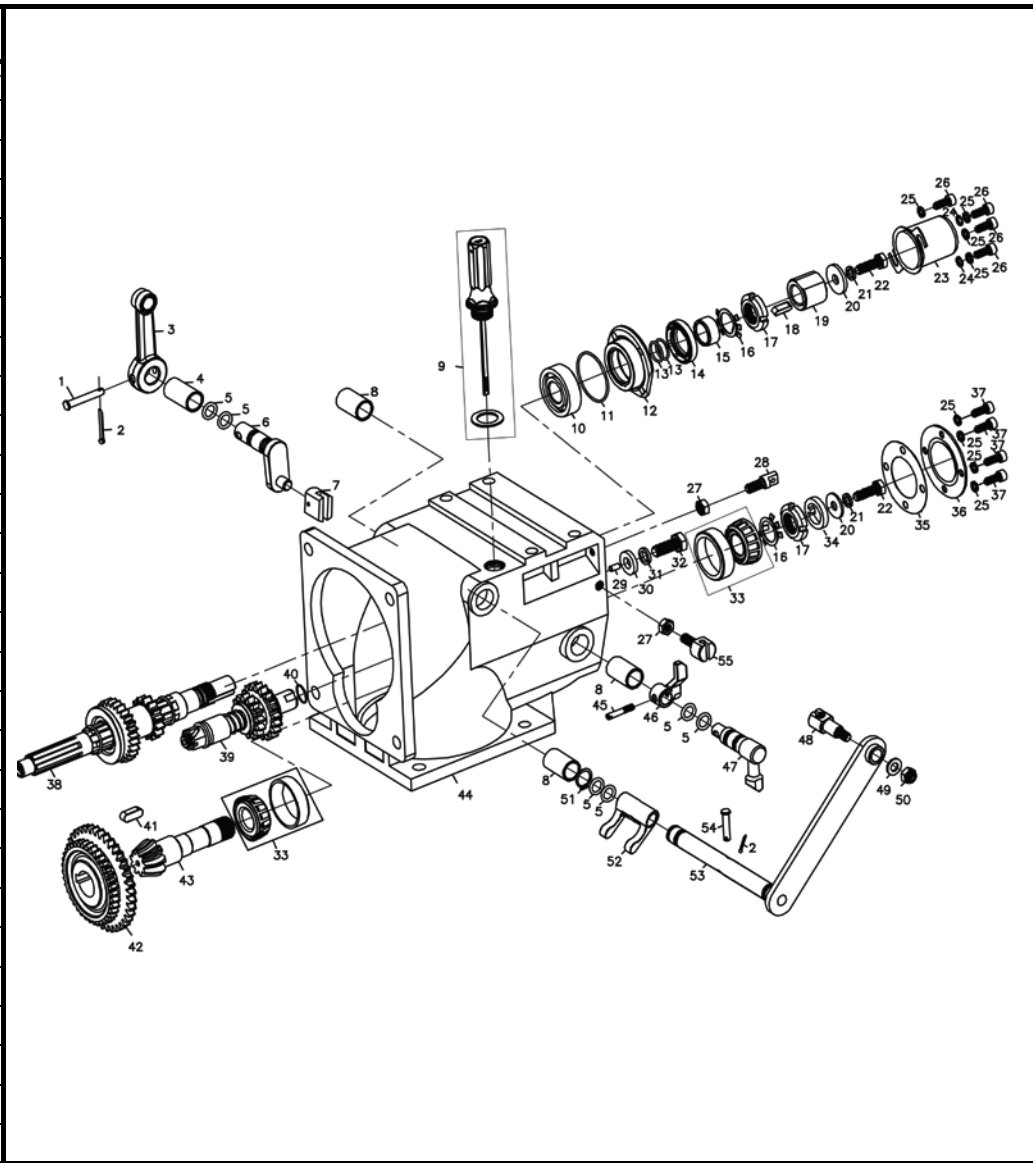


(WHEEL BOX)

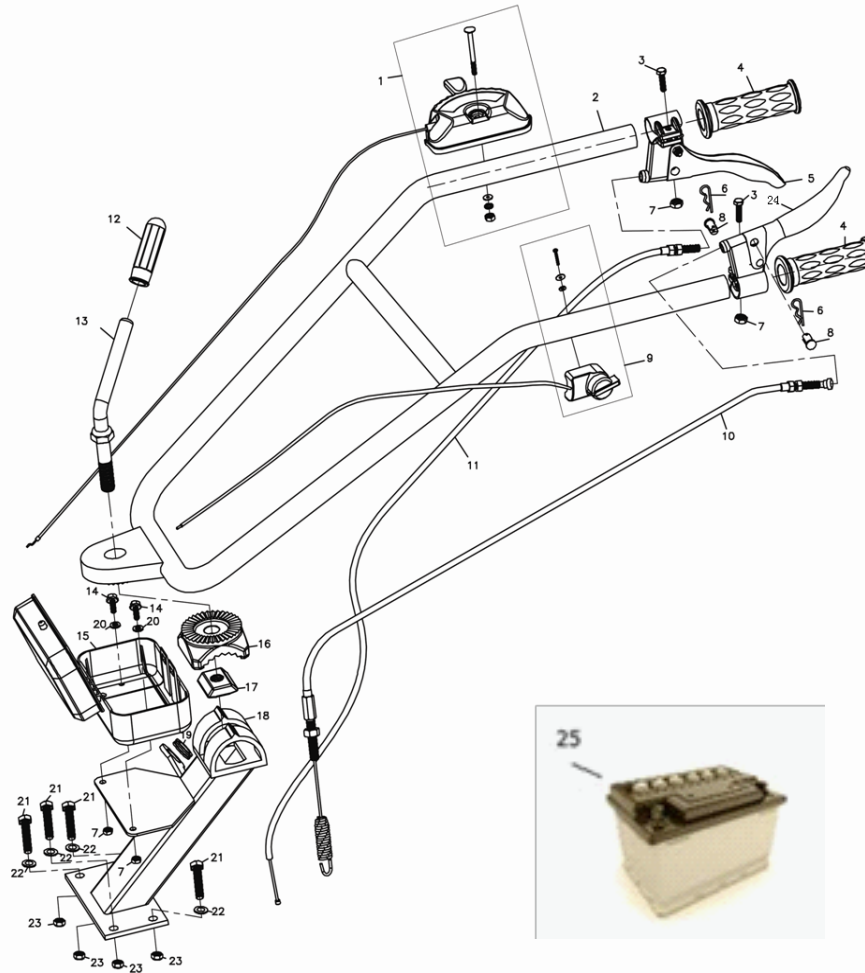
No.	Part No.	Description	Reqd. QTY
1	380610177-0001	PIN 6×41	1
2	380590010-0003	PIN 1.6×20	2
3	192430016-0001	SHIFT ARM	1
4	380822344-0001	BUSH	1
5	380840789-0001	AIRPROOF CIRCLE	6
6	195300003-0001	SHIFT CAM	1
7	192370011-0001	SHIFT DIAL	1
8	380822418-0001	BUSH	3
9	110690053-0001	DIPSTICK	1
10	380630005-0001	BEARING 6204	1
11	380840791-0001	AIRPROOF CIRCLE	1
12	195190003-0001	SEAL SEAT	1
13	380840788-0001	AIRPROOF CIRCLE	2
14	380650349-0001	OIL SEAL	1
15	380822345-0001	BUSH	1
16	380490017-0001	STOP WASHER	2
17	380810052-0001	NUT GB/T812	2
18	380620106-0001	KEY	1
19	192660002-0001	JACKET	1
20	380450039-0003	WASHER 8	2
21	380460001-0006	WASHER GB/T93 8	2
22	380070045-0005	BOLT M8×25	2
23	141140004-0001	DUSTPROOF CAP	1
24	380450004-0003	WASHER 6	2
25	380460003-0003	WASHER	4
26	380190008-0005	BOLT M6×20	4
27	380340005-0005	NUT M8	2
28	193910019-0001	POTHOOK	2



(WHEEL BOX)			
No.	Part No.	Description	Reqd. QTY
29	380600156-0001	PIN $\phi 5 \times 10$	1
30	380450826-0001	WASHER $\phi 10.5 \times$	1
31	380460002-0006	WASHER 10	1
32	380070123-0004	BOLT M10 $\times 25$	1
33	380630345-0001	BEARING 30204	2
34	380520003-0001	WASHER	1
35	660310016-0001	GASKET	1
36	191690003-0001	OIL SEAL COVER	1
37	380190005-0006	BOLT M6 $\times 16$	4
38	191250082-TA20	MAIN SHAFT PARTS	1
39	196180001-TA20	REVERSE GEAR SHAFT	1
40	380840790-0001	AIRPROOF CIRCLE	1
41	380620107-0001	KEY	1
42	195240005-0001	DOUBLE DRIVEN GEAR	1
43	191400084-0001	DRIVEN SHAFT	1
44	110180024-0001	WHEEL BOX	1
45	380600166-0001	PIN $\phi 5 \times 30$	1
46	192120057-0001	FORK	1
47	192130026-0001	FORK SHAFT	1
48	660190015-0001	SEAT	1
49	380450003-0006	WASHER 8	1
50	380350006-0001	NUT M8	1
51	380550031-0001	ELASTICITY CUSHION	1
52	192120058-0001	FORK	1
53	190810055-0001	JOY STICK	1
54	380610178-0001	PIN SHAFT 6×28	1
55	193910016-0001	POTHOOK	1

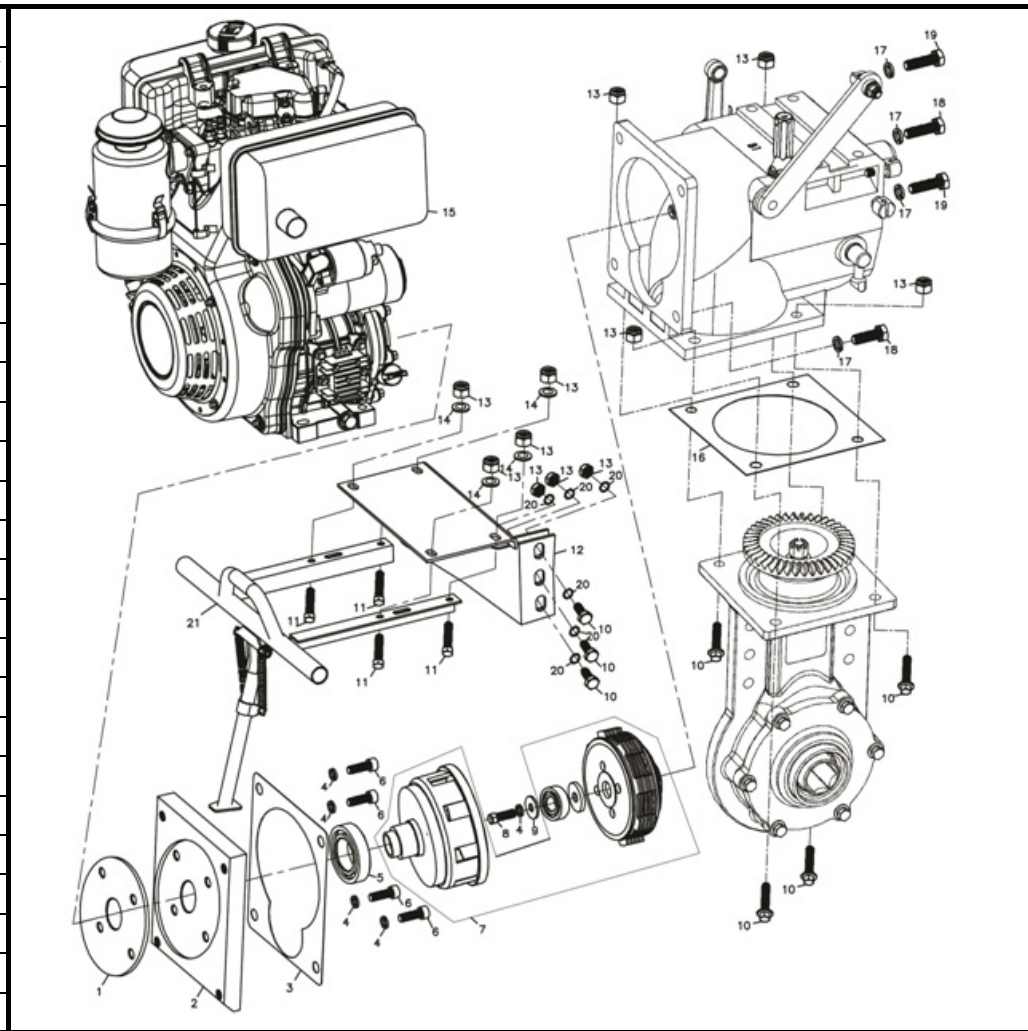


(MULRIPE ARMREST)			
No.	Part No.	Description	Reqd. QTY
1	171210496-0001	ROPE	1
2	320400076-0001	MULRIPE	1
3	380070014-0006	BOLT M6×25	2
4	320180196-0001	ARMREST RUBBER	2
5	271510151-0001	RIGHT HANDLE	1
6	381350010-0001	PIN, LOCK	2
7	380350003-0002	NUT M6	4
8	193910017-0001	POTHOOK	2
9	271660067-0001	SWITCH	1
10	320240396-0001	ROPE	1
11	196780005-0001	ROPE	1
12	192490004-0001	HANDLE COVER	1
13	661750002-0001	HANDLE	1
14	380140013-0005	BOLT, FLANGE	2
15	312730107-0001	TOOL BOX	1
16	320440005-0002	ADJUSTIVE GEAR	1
17	271550025-0001	ADJUSTIVE NUT	1
18	320050062-0001	JION SEAT	1
19	170700122-0001	SHOCK	1
20	380450004-0003	WASHER 6	2
21	380070100-0004	BOLT M10×40	4
22	380450129-0003	WASHER 10	4
23	380350009-0001	NUT M10	4
24	271510154-0001	RIGHT HANDLE	1

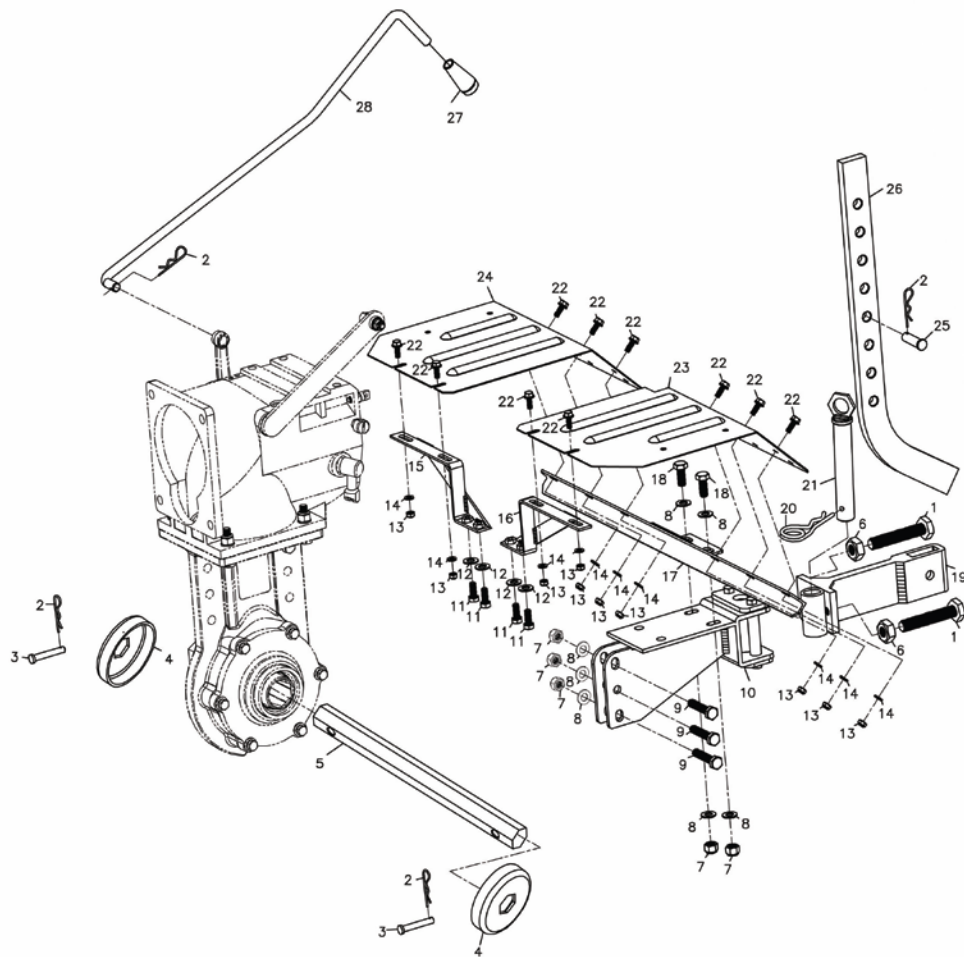


25 271060296-0002 Battery std (seca para añadir electrolito)
 271060208-0001 Battery gel (gel sellada, libre mantenimiento)

(ENGINE)			
No.	Part No.	Description	Reqd. QTY
1	111360002-0001	FLANGE CUSHION	1
2	111350006-0001	FLANGE	1
3	110200017-0001	GEAR BOX CUSHION	1
4	380460001-0006	ELASTICITY	5
5	380630295-0001	BEARING 6007	1
6	380190011-0007	BOLT M8×25	4
7	190010164-0001	CLUTCH	1
8	380070045-0005	BOLT M8×25	1
9	380450524-0001	WASHER $\phi 8.5 \times$	1
10	380070100-0004	BOLT	7
11	380070039-0003	BOLT	4
12	300110151-0001	BRACKET	1
13	380350009-0001	NUT	11
14	380450129-0003	WASHER	4
15	T272000019-0001001	ENGINE	1
16	191940003-0001	GEAR BOX MAT	1
17	380460002-0006	ELASTICITY	4
18	380070170-0001	BOLT M10×30	2
19	380070103-0004	BOLT M10×35	2
20	380450006-0005	WASHER	6
21	331380143-0001	Bumper Parts	1



(BLADE ASSEMBLY)			
No.	Part No.	Description	Reqd. QTY
1	380070228-0002	BOLT	2
2	381350011-0001	PIN, LOCK	4
3	380610047-0001	PIN SHAFT 8×50	2
4	195640007-0001	DUSTPROOF COVER	2
5	193050025-0001	OUTPUT SHAFT	1
6	380340012-0005	NUT	2
7	380350009-0001	NUT	5
8	380450006-0005	WASHER 4	7
9	380070326-0001	BOLT 4	3
10	661380004-0001	DAMPING SEAT	1
11	380070018-0004	BOLT M8×20	6
12	380450524-0001	WASHER	4
13	380350003-0002	NUT	10
14	380450004-0003	WASHER	10
15	661530031-0001	FENDER BRACKET	1
16	661530030-0001	FENDER BRACKET	1
17	661530009-0001	FENDER BRACKET	1
18	380070170-0001	BOLT	2
19	661390006-0001	DAMPING ARM SEAT	1
20	381350012-0001	PIN, LOCK	1
21	661550004-0001	PIN	1
22	380140013-0005	BOLT, FLANGE	10
23	661420004-0001	Left Fender	1
24	661430004-0001	Right Fender	1
25	380610184-0001	PIN SHAFT	1
26	661400002-0002	DAMPING ARM	1
27	195720001-0001	SHIFT STAFF COVER	1
28	195940002-0001	SHIFT STAFF ASSEMBLY	1



ATENCION : Para la TM900D "moderna" que albergue ruedas 500x12

15 661530032-0001 fender bracket

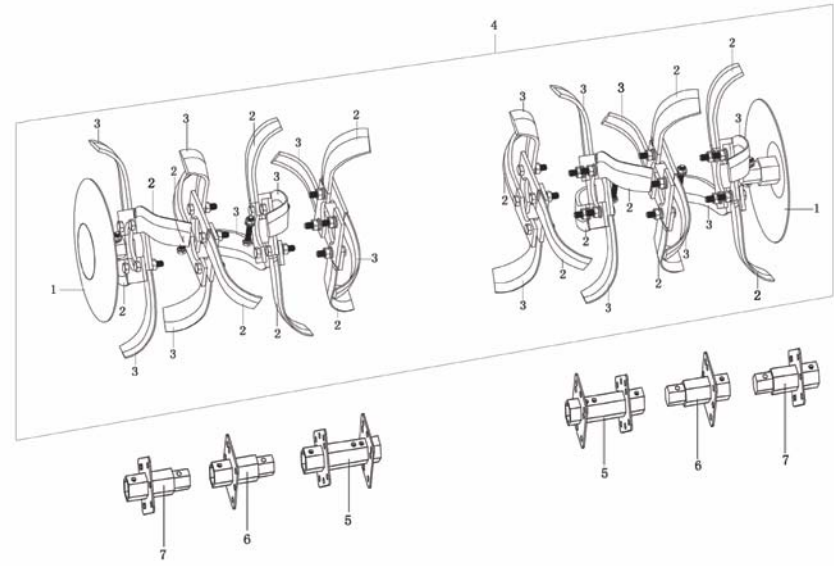
16 661530033-0001 fender bracket

17 661530034-0001 fender bracket

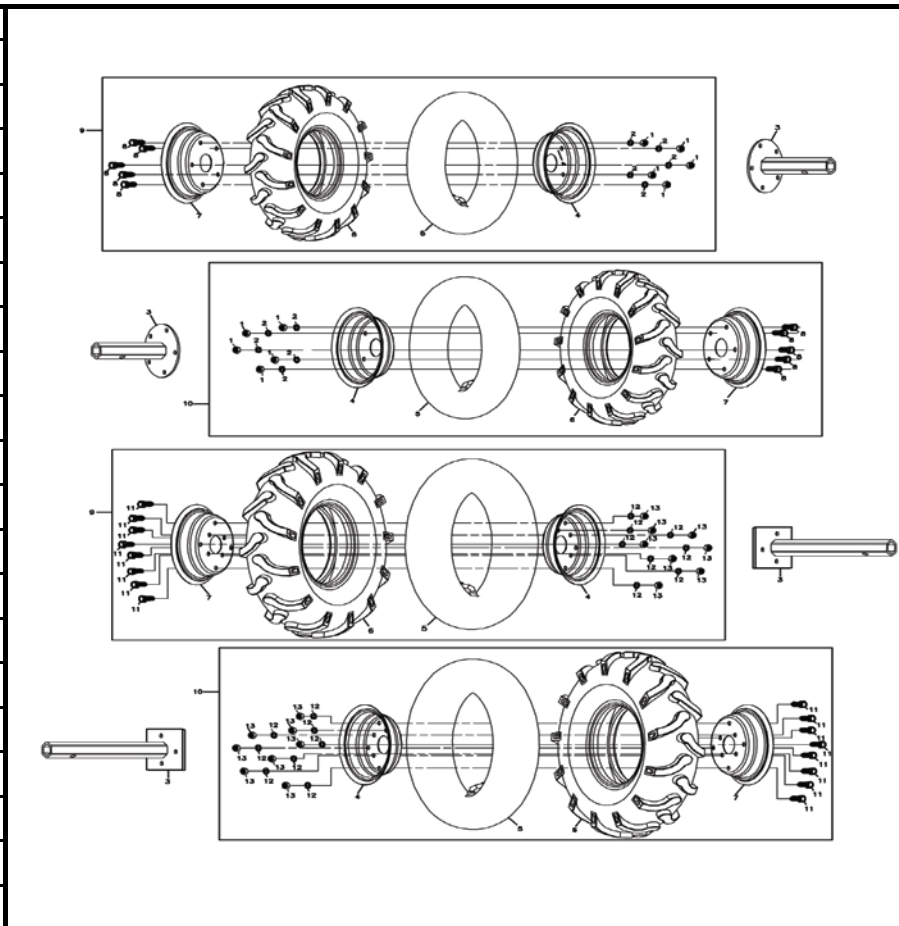
23 661420017-0001 left fender

24 661430016-0001 right fender

(BLADE ASSEMBLY)			
No.	Part No.	Description	Reqd. QTY
1	661740003-0001	CUT TRAY	2
2	661520005-0001	RIGHT KNIFE	16
3	661510005-0001	LEFT KNIFE	16
4	501400001-0001	BOLT	1
5	661720008-0001	MAIN TILTH KNIFE TUBE	2
6	661730005-0001	SUBSIDIARY TILTH KNIFE TUBE	2
7	661730007-0001	SUBSIDIARY TILTH KNIFE TUBE	2



(WHEEL COMP)			
No.	Part No.	Description	Reqd. QTY
1	380340005-0006	NUT M8	10
2	380460001-0008	ELASTICITY	10
3	660730035-0001	AXLE	2
4	660710013-0001	SUPPORT HUB	2
5	290180266-0001	INNER TUBE	2
6	290160406-0001	SHOE	2
7	660710012-0001	SUPPORT HUB	2
8	380070072-0002	BOLT M8×16	10
9	660690019-0001	SUPPORTING WHEEL	1
10	660690021-0001	SUPPORTING WHEEL	1
11	380070301-0001	BOLT M10×20	16
12	380460002-0003	ELASTICITY	16
13	380340010-0007	NUT M10	16



No.	Part No.	Description	Reqd.QTY.
1	380070301-0001	Bolt M10X20	12
2	380070123-0007	Bolt M10X25	8
3	660710017-0001	Support Hub	2
4	290160619-0001	Shoe	2
5	290180341-0001	Inner Hub	2
6	660710018-0001	Support Hub	2
7	380450006-0005	Washer 10	20
8	380460002-0006	Elasticity Cushion 10	20
9	380340010-0007	Nut M10	20
10	660730035-0001	Axle	2
11	660690033-0001	Supporting Wheel Parts	1
12	660690034-0001	Supporting Wheel Parts	1

