

TILLER SPARE PARTS MANUAL



1WG3. 4-60FQ-D

Model:1WG3.4-60FQ-D		Code Number:TA31001331-0513399	LC/LT-2016-A
CYLINDER HEAD			
No.	Part No.	Description	Reqd. QTY
1	120080276-0001	Cylinder head	1
2	380180093-0001	Stud	2
3	380600117-0001	ocation pin	2
4	120150070-0001	Gasket for cylinder head	1
5	380180098-0001	Stud	2
6	270960014-0001	Spark plug	1
7	380140336-0001	Hexagon bolt with flange	4
8	120250013-0001	Gasket for cylinder head cover	1
9	120220008-0001	Cylinder head cover assy	1
10	380140215-0003	Hexagon bolt with flange	4
CRANK CASE			
No.	Part No.	Description	Reqd. QTY
1	110810006-0001	Crankcase body	1
2	380650347-0001	Oil seal	1
3	380450514-0001	Flat washer	2
4	110260025-0001	Sealing plug screw	2
5	281890001-0001	Engine oil protector	1
6	380140011-0004	Hexagon bolt with flange	1
7	281850150-0001	Oil level sensor	1
8	380140215-0003	Hexagon bolt with flange	2
9	171750002-0001	Components of governor gear	1
10	380630137-0002	Bearing	1
11	380450531-0001	Flat washer	1
12	381350004-0001	Pin clip	1
13	171630001-0001	Speed regulating arm	1
14	380940346-0001	Cable cleat	1

CRANK CASE COVER			
No.	Part No.	Description	Reqd. QTY
1	110690096-0004	Oil rule combination	2
2	380140028-0004	Hexagon bolt with flange	6
3	110820080-0001	Crankcase cover	1
4	380650347-0001	Oil seal	1
5	380630137-0002	Bearing	1
6	380600120-0001	ocation pin	2
7	110830007-0001	Crankcase cover gasket	1
CRANKSHAFT/PISTON			
No.	Part No.	Description	Reqd. QTY
1	130070079-0001	Piston ring combination	1
2	380560056-0001	Steel cable baffle ring	2
3	130030083-0001	Piston	1
4	130060031-0001	Piston pin	1
5	130180001-0001	Connecting rod bolt	2
6	130150039-0001	Connecting rod	1
7	380620050-0001	Key	1
8	130290049-0001	crankshaft	1
GAS DISTRIBUTION ADJUSTMENT			
No.	Part No.	Description	Reqd. QTY
1	140470001-0001	Valve lock nut	2
2	140490012-0001	Adjustable nut of valve	2
3	140460030-0001	Valve rocker	2
4	140480012-0001	Adjustable bolt of valve	2
5	140710001-0001	Plate, push rod guide	1
6	140670004-0001	Push rod	2
7	140690003-0001	Lifter, Valve	2
8	140320001-0001	Valve adjustment cap	2
9	140380017-0001	Retainer, valve spring	2

10	140340022-0001	Inner spring of valve	2
11	140400011-0001	Valve oil seal	1
12	500550069-0001	Valve Kit	1
13	140020089-0001	Camshaft assy	1
14	140450022-0001	Valve rocker combination	2
STARTER SUBASSEMBLY			
No.	Part No.	Description	Reqd. QTY
1	193490016-0001	Manual starting assembly	1
2	193500011-0001	Manual starting components	1
3	380140531-0001	Hexagon bolt with flange	3
4	160210006-0005	Fan cover comp.	1
5	380140011-0004	Hexagon bolt with flange	4
DIVERSION ASSY.			
No.	Part No.	Description	Reqd. QTY
1	380140089-0003	Hexagon bolt with flange	2
2	160190009-0001	air deflector	1
3	160200011-0001	Side plate	1
4	380140003-0005	Hexagon bolt with flange	1
5	140280001-0001	Leaf valve limit plate	1
CARBURETOR			
No.	Part No.	Description	Reqd. QTY
1	170021086-0001	Carburetor	1
2	170430060-0001	Carburetor gasket	1
3	170440089-0001	Heat insulating pad for carburetor	1
4	170430048-0001	Carburetor gasket	1
5	170430065-0001	Carburetor gasket	1
FLYWHEEL/COIL ASSY.			
No.	Part No.	Description	Reqd. QTY
1	270020097-0001	FLYWHEEL COMP	1
2	270920245-0001	COIL ASSY.,IGNNTION	1

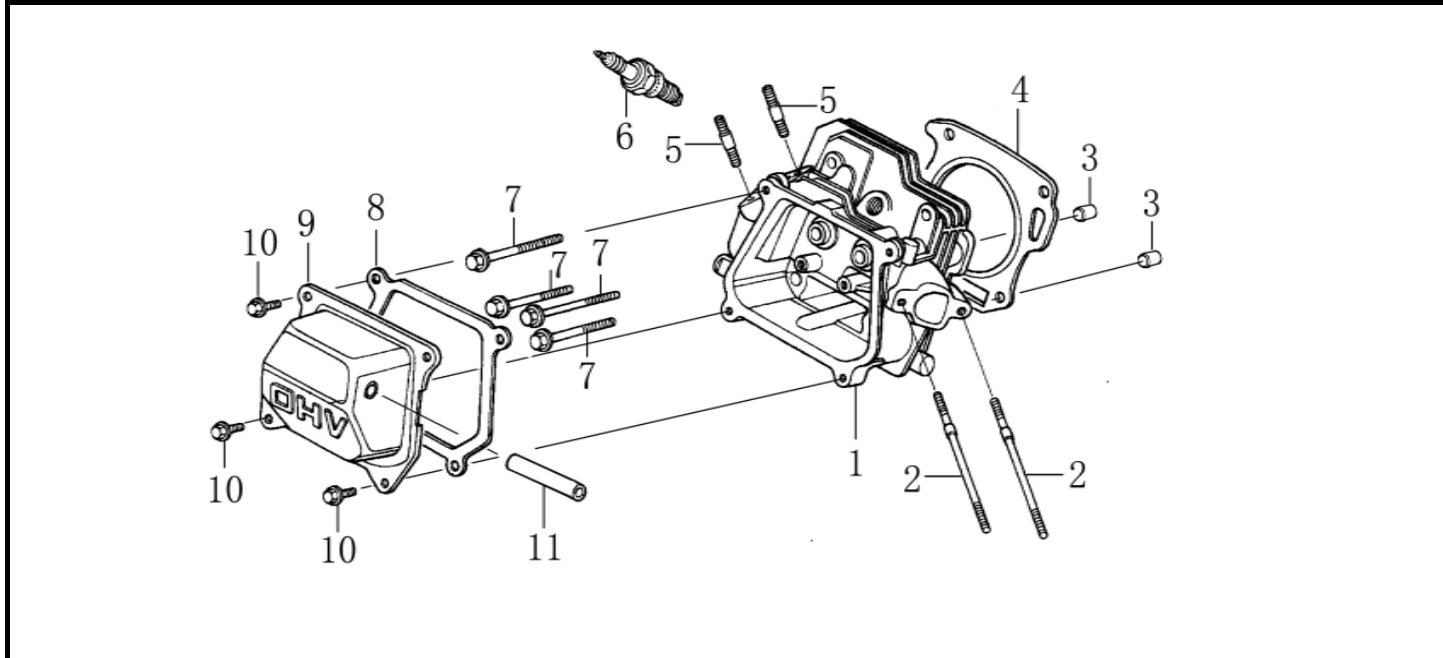
3	380140102-0004	Hexagon bolt with flange	2
4	160180007-0001	Impeller	1
5	193590005-0001	Starting disc	1
6	380370051-0001	Hexagon nut with flange	1
CONTROL SYSTEM			
No.	Part No.	Description	Reqd. QTY
2	171660001-0001	speed regulating Limit spring	1
3	380200017-0005	Cross recessed pan head screw	1
4	380140011-0004	Hexagon bolt with flange	2
5	171710004-0001	Throttle cable pressing plate	1
6	380200010-0005	Cross recessed pan head screw	1
7	380200037-0003	Cross recessed pan head screw	1
8	171720001-0001	Throttle cable clip	1
9	380570018-0001	Split damping ring	1
10	171600037-0001	Governing spring	1
11	380250002-0001	Square head set screw with flat point	1
12	380370066-0001	Hexagon nut with flange	1
13	171620001-0003	Speed regulating bracket	1
14	171610002-0001	throttle return spring	1
15	171590004-0001	Throttle rod	1
16	171680011-0001	Throttle handle combination	1
AIR CLEANER			
No.	Part No.	Description	Reqd. QTY
1	180020320-0001	Air filter	1
2	380440002-0002	Butterfly nut	1
3	180220016-0001	Air filter pressing plate	1
4	180070172-0001	Air filter casing cover	1
5	180100041-0001	Air filter element combination	1
6	183010001-0001	Air filter element Support plate	1
7	180330040-0001	Support plate body of filter element	1

8	380840437-0001	Seal ring	1
9	180280030-0001	Air filter seat	1
10	380740471-0001	Breather tube	1
11	380370048-0001	Hexagon nut with flange	2
MUFFLER			
No.	Part No.	Description	Reqd. QTY
1	180571318-0001	Muffler	1
2	380340005-0005	Hexagon nut	2
3	180650065-0001	Outlet gasket	1
FUEL TANK			
No.	Part No.	Description	Reqd. QTY
1	170870039-0001	Tank cover	1
2	170720001-0001	Pouring orifice filter screen combination	1
3	380370048-0001	Hexagon nut with flange	2
4	170500522-0052	Tank	1
5	170660077-0001	Tank oilout	1
6	380950188-0001	Pipe clip	2
7	380750180-0001	Oil tube	1
8	380140102-0004	Hexagon bolt with flange	1
9	380920086-0001	rubber flat gasket	2
GEAR BOX			
No.	Part No.	Description	Reqd. QTY
1	191910007-0001	Reduction gearbox body	1
2	196740001-0001	Output shaft Seal Cover	2
3	380630395-0001	Bearing	2
4	191960011-0001	Reduction gearbox output shaft combination	1
5	260010189-0001	Chain	1
6	191910008-0001	Reduction gearbox body	1
7	380630003-0001	Bearing	2
8	195950002-0001	Reduction gearbox drive sprocket axle	1

9	380350003-0002	Hexagon locknut for nonmetal insert	14
10	380140209-0001	Hexagon bolt with flange	10
11	380350006-0001	Hexagon locknut for nonmetal insert	4
12	380140040-0005	Hexagon bolt with flange	4
13	110500033-0001	RUBBER PLUG	1
14	380140077-0005	Hexagon bolt with flange	4
15	196760001-0001	Reduction gearbox Reinforcing plate	2
GEAR BOX			
No.	Part No.	Description	Reqd. QTY
1	T056001330-0005007	ENGINE	1
2	380450003-0006	Flat washer	14
3	380350006-0001	Hexagon locknut for nonmetal insert	14
4	380140005-0006	Hexagon bolt with flange	4
5	660700004-0001	Support wheel assembly	1
6	380400002-0004	Hexagon locknut for nonmetal insert	1
7	380070286-0001	Hexagon bolt	1
8	310020035-0001	Front fork	1
9	381350011-0001	Pin clip	2
10	380610047-0001	Pin	1
11	380020133-0001	Hexagon shaft shoulder bolt	1
12	380450729-0001	Flat washer	1
13	380350003-0002	Hexagon locknut for nonmetal insert	1
14	300110141-0001	Engine Bracket	1
15	661800003-0001	fender	2
16	380140004-0004	Hexagon bolt with flange	6
17	661550001-0001	Damping arm Pin	1
18	381350012-0001	Pin clip	1
19	661390005-0001	Damping arm Holder	1
20	661400005-0001	Damping arm	1
21	380140148-0005	Hexagon bolt with flange	4

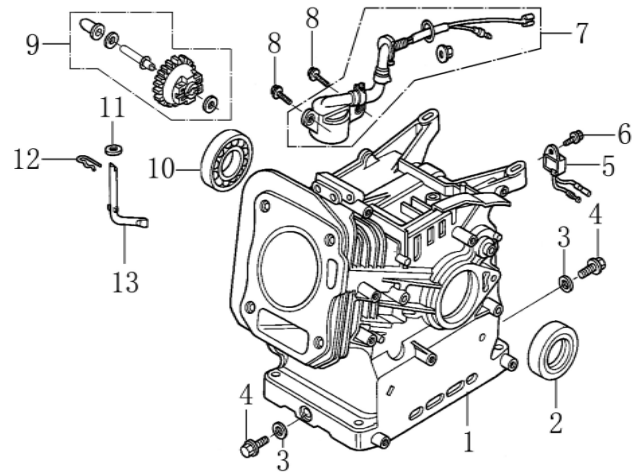
22	191900001-0001	Gearbox Locating Block	4
23	380610241-0001	Pin	1
24	661560001-0001	Bayonet lock combination	2
25	380620101-0001	Key	1
CLOSING WHEEL,STRAP			
No.	Part No.	Description	Reqd. QTY
1	380140004-0004	Hexagon bolt with flange	4
2	380140209-0001	Hexagon bolt with flange	2
3	380770258-0001	Protective sleeve	1
4	380350006-0001	Hexagon locknut for nonmetal insert	4
5	661440002-0001	Driven pulley plate combination	1
6	380822680-0001	Bushing	2
7	380450003-0006	Flat washer	2
8	380450729-0001	Flat washer	1
9	380350003-0002	Hexagon locknut for nonmetal insert	2
10	381160163-0001	Torsion spring	1
11	380822927-0001	Bushing	2
12	380450971-0001	Flat washer	2
13	661540005-0001	Belt tensioning wheel	1
14	661540004-0001	Belt tensioning wheel	1
15	380100042-0001	Hex head flange bolt axial	2
16	193000029-0001	belt	1
17	195920004-0001	Follower Pulley combination	1
18	380460001-0006	Elastic washer	2
19	380140091-0005	Hexagon bolt with flange	1
20	381190004-0001	slotted set screw with flat point	1
21	195910011-0001	driving pulley	1
22	195910004-0001	driving pulley	1
23	380140520-0001	Hexagon bolt with flange	1
24	193000021-0001	belt	1

25	380020070-0001	Hexagon shaft shoulder bolt	3
26	260170004-0001	Strap Cover	1
27	381160162-0001	Torsion spring	1
28	661470003-0001	Belt limit plate combination	1
BLADE ASSEMBLY			
No.	Part No.	Description	Reqd. QTY
1	380070045-0007	Hexagon bolt	24
2	661520001-0001	Plow blade(right)	12
3	661510001-0001	Plow blade(left)	12
4	380460001-0008	Elastic washer	28
5	380340005-0006	Hexagon nut	28
6	661720010-0001	main tilth knife tube	2
7	661730001-0001	subsidiary tilth knife tube	2
8	661740001-0001	cut tray	2
9	380070044-0006	Hexagon bolt	4
10	661500013-0001	Plow knife components(right)	1
11	661490016-0001	Plow knife components(left)	1
MULRIPE ARMREST			
No.	Part No.	Description	Reqd. QTY
1	171210476-0001	Throttle cable	1
2	196780006-0001	Reverse inhaul cable	1
3	192490004-0001	Handle Coat	1
4	661750002-0001	HANDLE	1
5	320440005-0002	Handlebar setting crankset	1
6	271550025-0001	Handle Adjusting nut	1
7	320400068-0001	Lever combination	1
8	271510152-0001	Handle(Left)	2
9	320180196-0001	Lever Rubber	2
10	271660067-0001	Stop switch	1
11	320240381-0001	Clutch cable	1



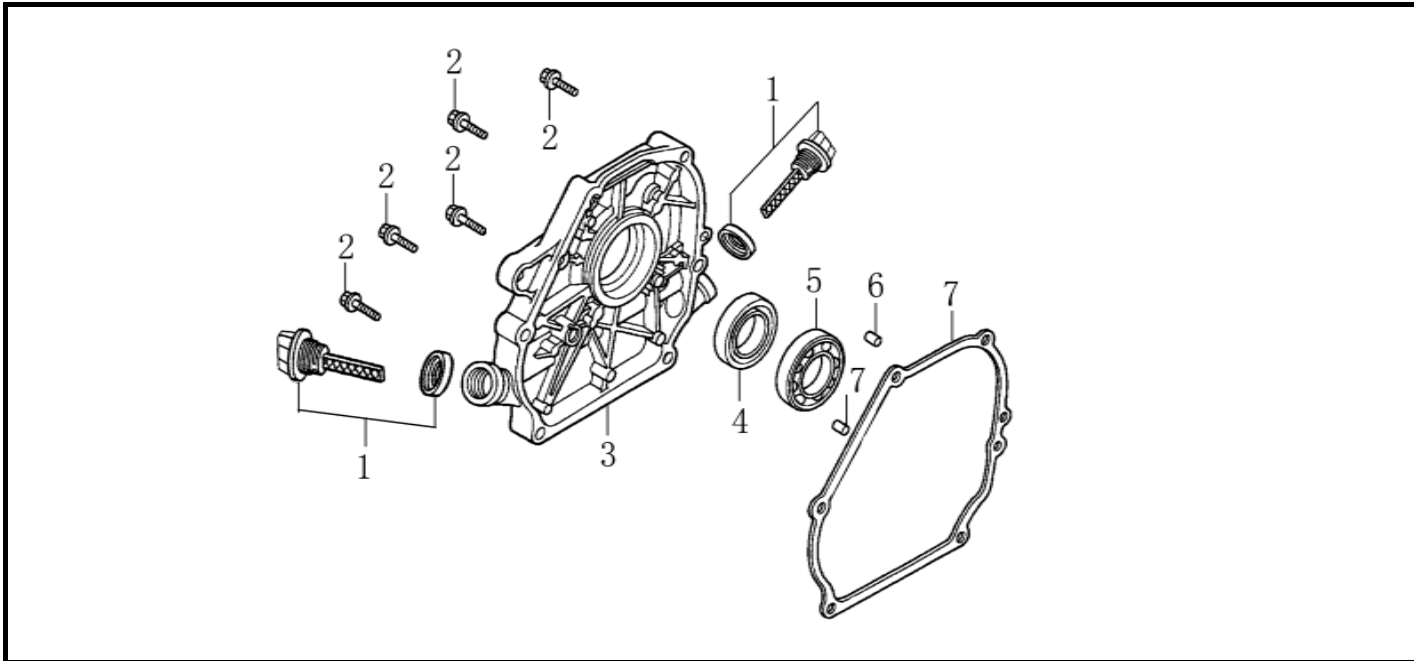
CYLINDER HEAD

No.	Part No.	Description	Reqd. QTY
1	120080276-0001	Cylinder head	1
2	380180093-0001	Stud	2
3	380600117-0001	ocation pin	2
4	120150070-0001	Gasket for cylinder head	1
5	380180098-0001	Stud	2
6	270960014-0001	Spark plug	1
7	380140336-0001	Hexagon bolt with flange	4
8	120250013-0001	Gasket for cylinder head cover	1
9	120220008-0001	Cylinder head cover assy	1
10	380140215-0003	Hexagon bolt with flange	4



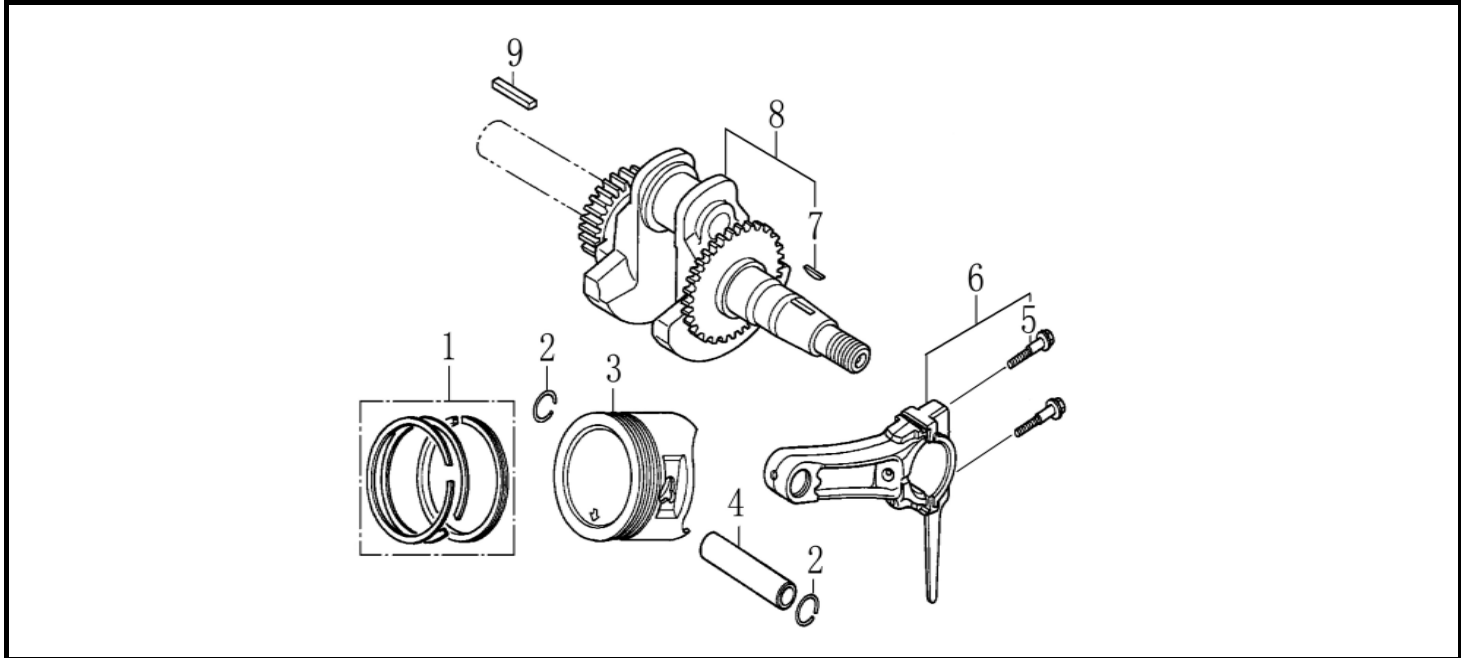
CRANK CASE

No.	Part No.	Description	Reqd. QTY
1	110810006-0001	Crankcase body	1
2	380650347-0001	Oil seal	1
3	380450514-0001	Flat washer	2
4	110260025-0001	Sealing plug screw	2
5	281890001-0001	Engine oil protector	1
6	380140011-0004	Hexagon bolt with flange	1
7	281850150-0001	Oil level sensor	1
8	380140215-0003	Hexagon bolt with flange	2
9	171750002-0001	Components of governor gear	1
10	380630137-0002	Bearing	1
11	380450531-0001	Flat washer	1
12	381350004-0001	Pin clip	1
13	171630001-0001	Speed regulating arm	1
14	380940346-0001	Cable cleat	1



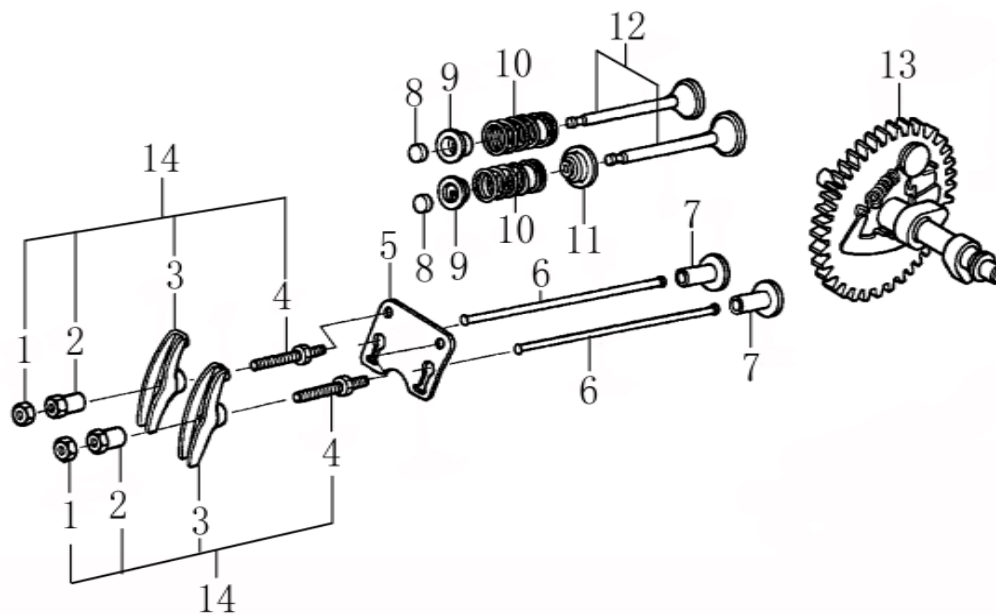
CRANK CASE COVER

No.	Part No.	Description	Reqd. QTY
1	110690096-0004	Oil rule combination	2
2	380140028-0004	Hexagon bolt with flange	6
3	110820080-0001	Crankcase cover	1
4	380650347-0001	Oil seal	1
5	380630137-0002	Bearing	1
6	380600120-0001	ocation pin	2
7	110830007-0001	Crankcase cover gasket	1



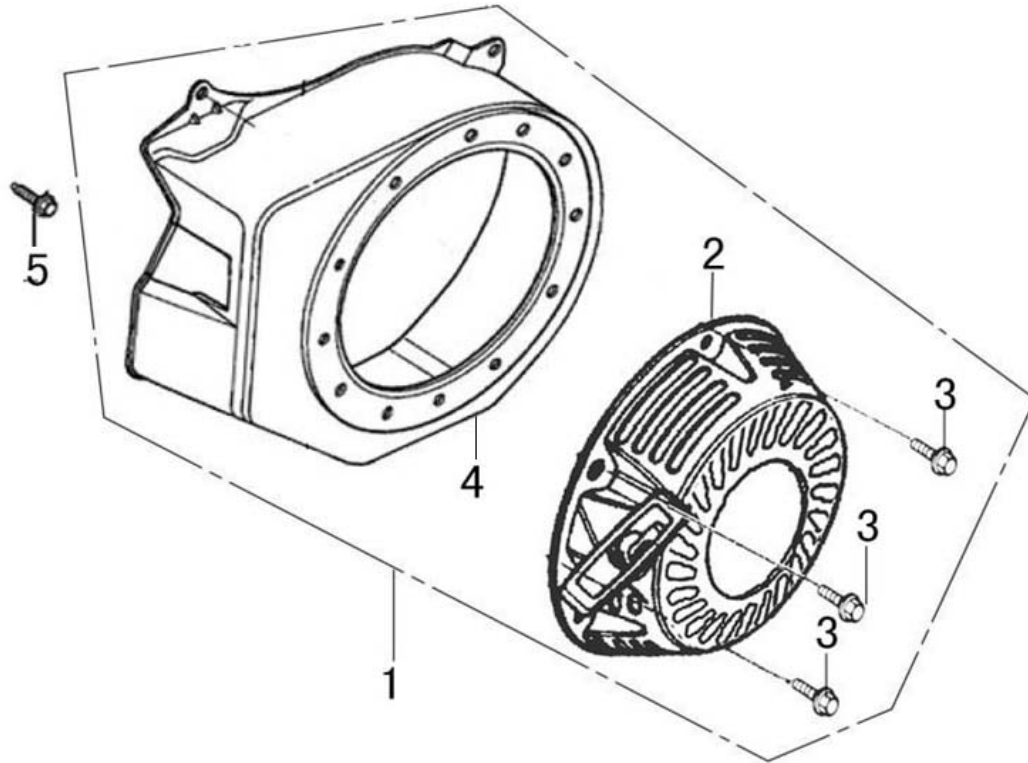
CRANKSHAFT/PISTON

No.	Part No.	Description	Reqd. QTY
1	130070079-0001	Piston ring combination	1
2	380560056-0001	Steel cable baffle ring	2
3	130030083-0001	Piston	1
4	130060031-0001	Piston pin	1
5	130180001-0001	Connecting rod bolt	2
6	130150039-0001	Connecting rod	1
7	380620050-0001	Key	1
8	130290049-0001	crankshaft	1



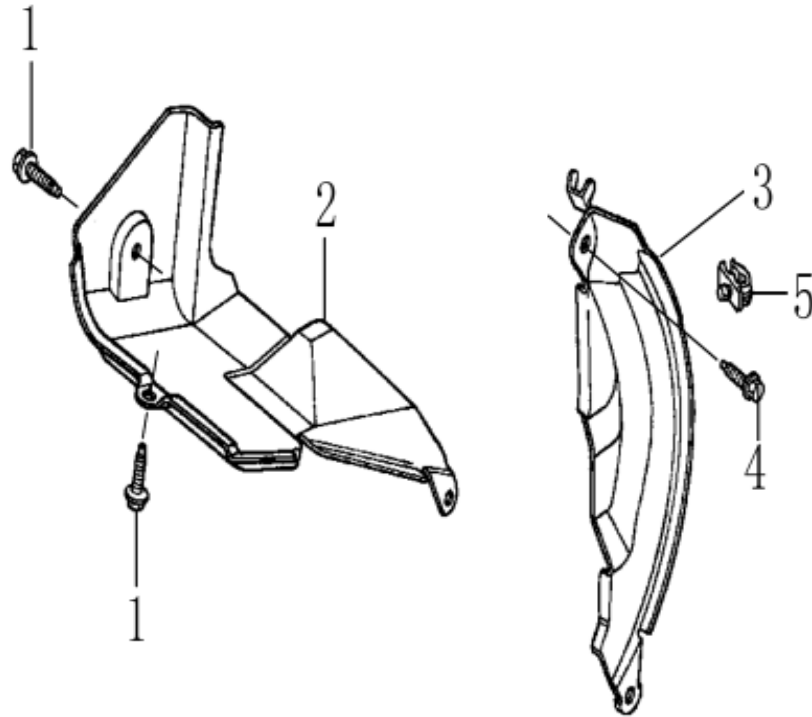
GAS DISTRIBUTION ADJUSTMENT

No.	Part No.	Description	Reqd. QTY
1	140470001-0001	Valve lock nut	2
2	140490012-0001	Adjustable nut of valve	2
3	140460030-0001	Valve rocker	2
4	140480012-0001	Adjustable bolt of valve	2
5	140710001-0001	Plate, push rod guide	1
6	140670004-0001	Push rod	2
7	140690003-0001	Lifter, Valve	2
8	140320001-0001	Valve adjustment cap	2
9	140380017-0001	Retainer, valve spring	2
10	140340022-0001	Inner spring of valve	2
11	140400011-0001	Valve oil seal	1
12	500550069-0001	Valve Kit	1
13	140020089-0001	Camshaft assy	1
14	140450022-0001	Valve rocker combination	2



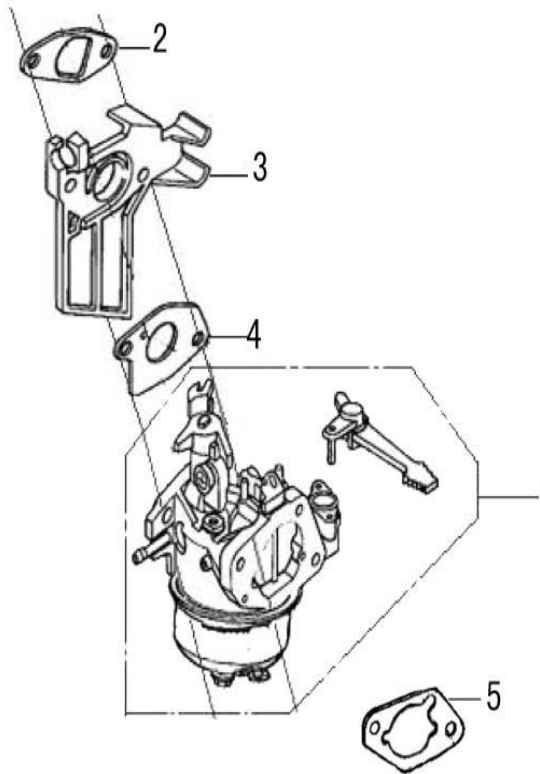
STARTER SUBASSEMBLY

No.	Part No.	Description	Reqd. QTY
1	193490016-0001	Manual starting assembly	1
2	193500011-0001	Manual starting components	1
3	380140531-0001	Hexagon bolt with flange	3
4	160210006-0005	Fan cover comp.	1
5	380140011-0004	Hexagon bolt with flange	4



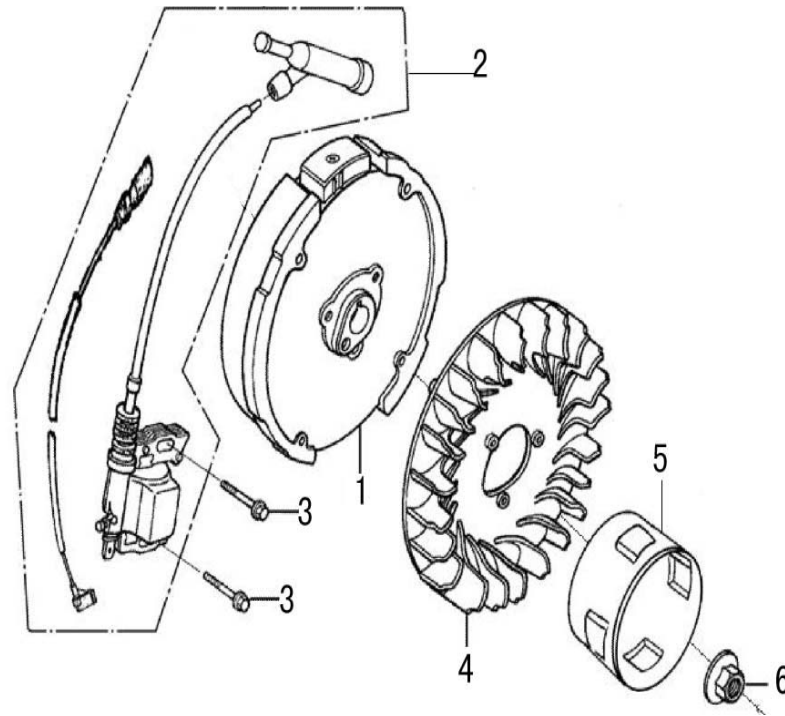
DIVERSION ASSY.

No.	Part No.	Description	Reqd. QTY
1	380140089-0003	Hexagon bolt with flange	2
2	160190009-0001	air deflector	1
3	160200011-0001	Side plate	1
4	380140003-0005	Hexagon bolt with flange	1
5	140280001-0001	Leaf valve limit plate	1



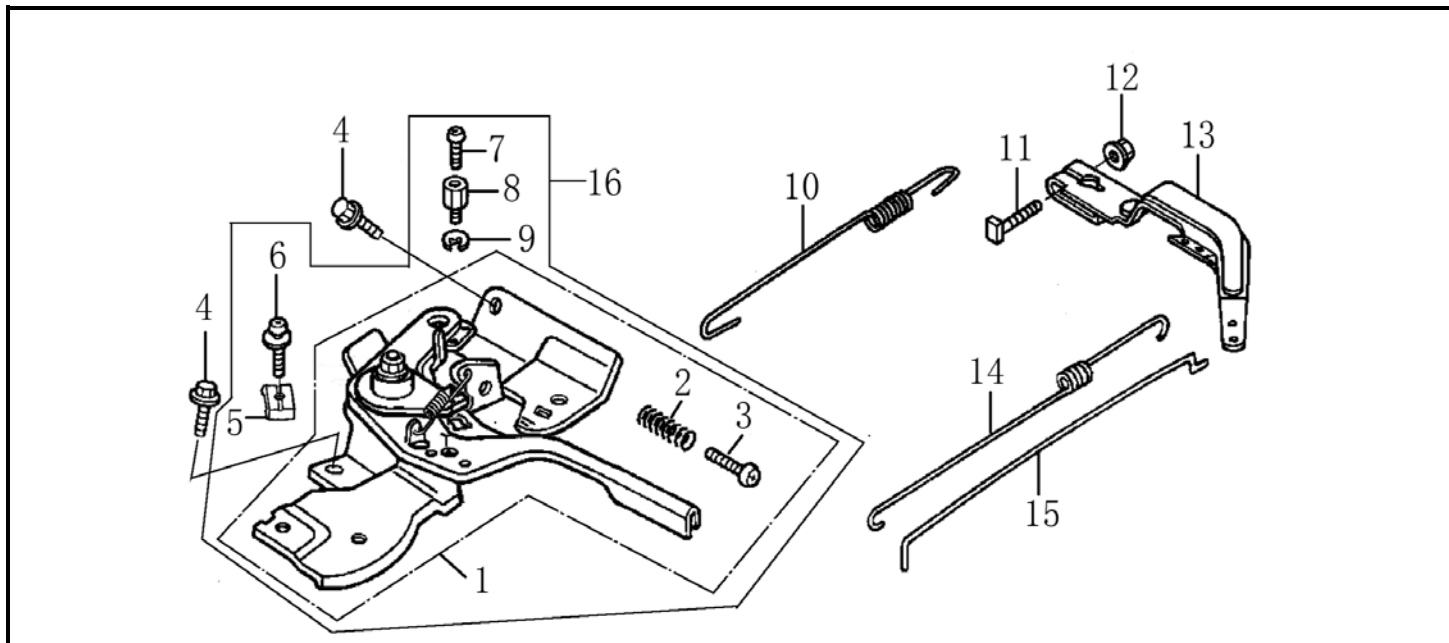
CARBURETOR

No.	Part No.	Description	Reqd. QTY
1	170021086-0001	Carburetor	1
2	170430060-0001	Carburetor gasket	1
3	170440089-0001	Heat insulating pad for carburetor	1
4	170430048-0001	Carburetor gasket	1
5	170430065-0001	Carburetor gasket	1



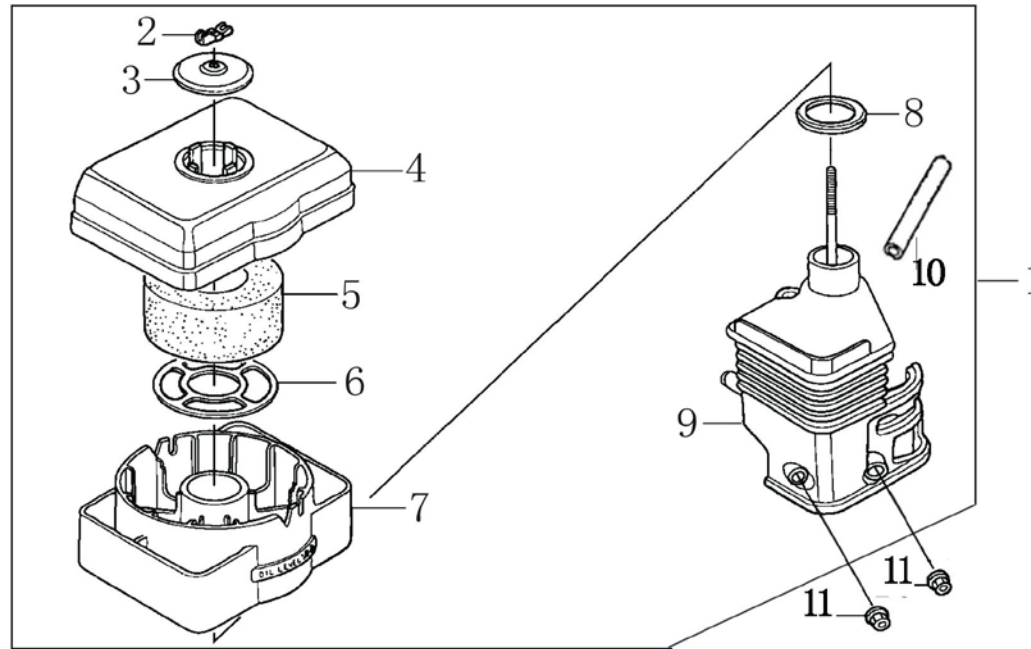
FLYWHEEL/COIL ASSY.

No.	Part No.	Description	Reqd. QTY
1	270020097-0001	FLYWHEEL COMP	1
2	270920245-0001	COIL ASSY.,IGNNTION	1
3	380140102-0004	Hexagon bolt with flange	2
4	160180007-0001	Impeller	1
5	193590005-0001	Starting disc	1
6	380370051-0001	Hexagon nut with flange	1



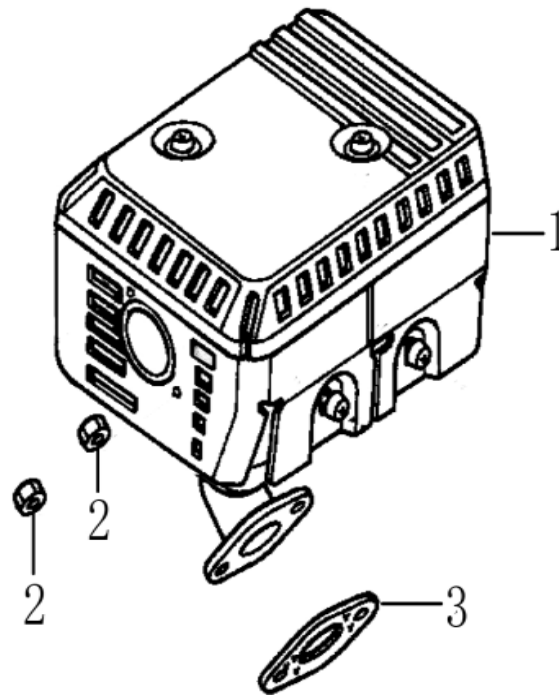
CONTROL SYSTEM

No.	Part No.	Description	Reqd. QTY
2	171660001-0001	speed regulating Limit spring	1
3	380200017-0005	Cross recessed pan head screw	1
4	380140011-0004	Hexagon bolt with flange	2
5	171710004-0001	Throttle cable pressing plate	1
6	380200010-0005	Cross recessed pan head screw	1
7	380200037-0003	Cross recessed pan head screw	1
8	171720001-0001	Throttle cable clip	1
9	380570018-0001	Split damping ring	1
10	171600037-0001	Governing spring	1
11	380250002-0001	Square head set screw with flat point	1
12	380370066-0001	Hexagon nut with flange	1
13	171620001-0003	Speed regulating bracket	1
14	171610002-0001	throttle return spring	1
15	171590004-0001	Throttle rod	1
16	171680011-0001	Throttle handle combination	1



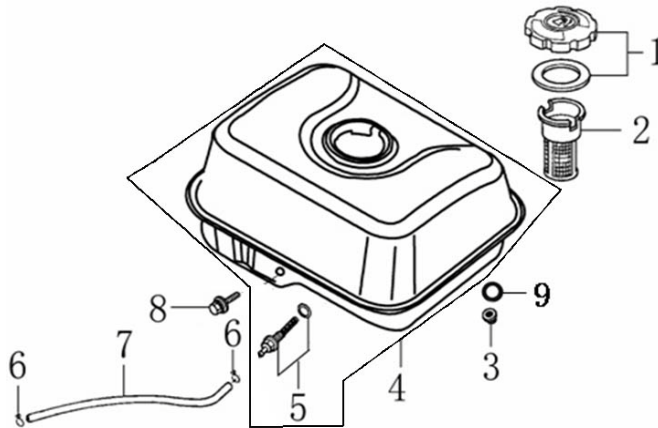
AIR CLEANER

No.	Part No.	Description	Reqd. QTY
1	180020320-0001	Air filter	1
2	380440002-0002	Butterfly nut	1
3	180220016-0001	Air filter pressing plate	1
4	180070172-0001	Air filter casing cover	1
5	180100041-0001	Air filter element combination	1
6	183010001-0001	Air filter element Support plate	1
7	180330040-0001	Support plate body of filter element	1
8	380840437-0001	Seal ring	1
9	180280030-0001	Air filter seat	1
10	380740471-0001	Breather tube	1
11	380370048-0001	Hexagon nut with flange	2



MUFFLER

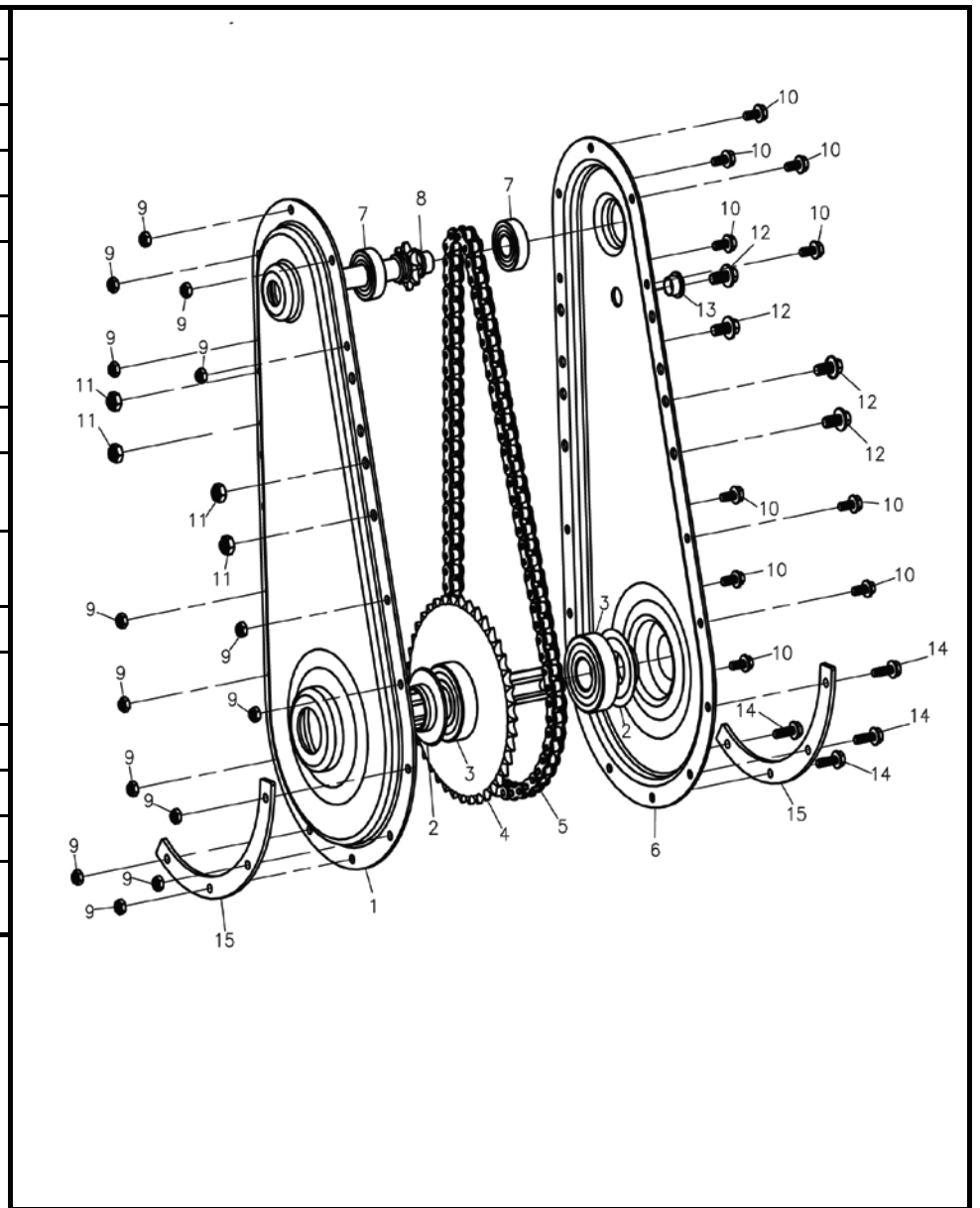
No.	Part No.	Description	Reqd. QTY
1	180571318-0001	Muffler	1
2	380340005-0005	Hexagon nut	2
3	180650065-0001	Outlet gasket	1



FUEL TANK

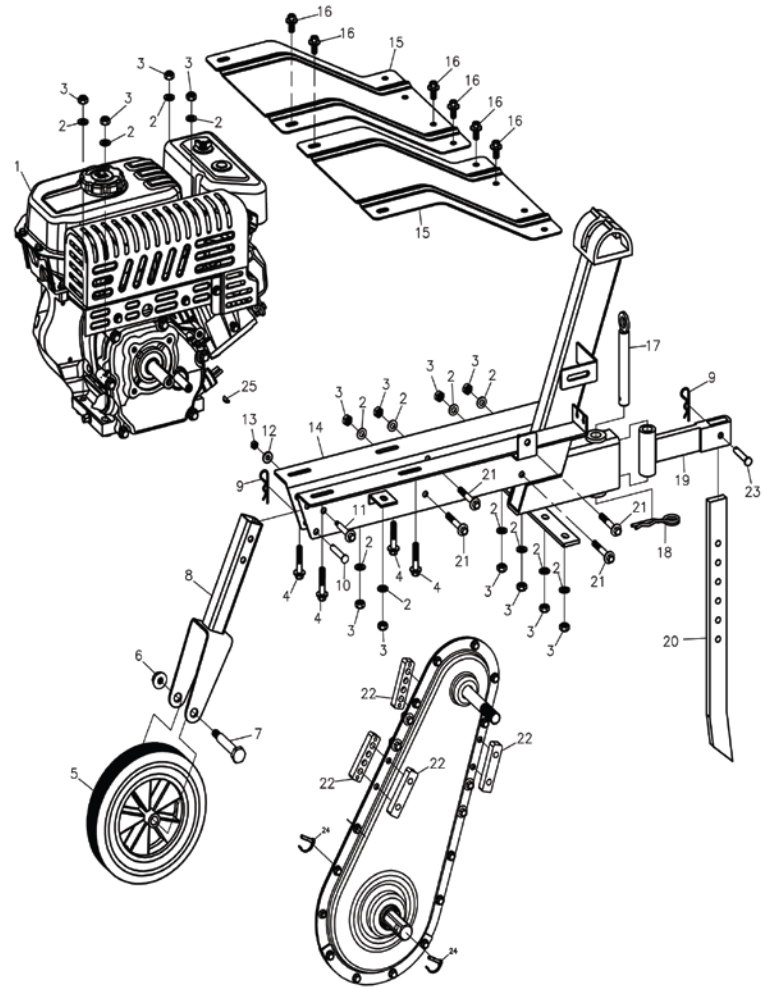
No.	Part No.	Description	Reqd. QTY
1	170870039-0001	Tank cover	1
2	170720001-0001	Pouring orifice filter screen combination	1
3	380370048-0001	Hexagon nut with flange	2
4	170500522-0052	Tank	1
5	170660077-0001	Tank oilout	1
6	380950188-0001	Pipe clip	2
7	380750180-0001	Oil tube	1
8	380140102-0004	Hexagon bolt with flange	1
9	380920086-0001	rubber flat gasket	2

GEAR BOX			
No.	Part No.	Description	Reqd. QTY
1	191910007-0001	Reduction gearbox body	1
2	196740001-0001	Output shaft Seal Cover	2
3	380630395-0001	Bearing	2
4	191960011-0001	Reduction gearbox output shaft combination	1
5	260010189-0001	Chain	1
6	191910008-0001	Reduction gearbox body	1
7	380630003-0001	Bearing	2
8	195950002-0001	Reduction gearbox drive sprocket axle	1
9	380350003-0002	Hexagon locknut for nonmetal insert	14
10	380140209-0001	Hexagon bolt with flange	10
11	380350006-0001	Hexagon locknut for nonmetal insert	4
12	380140040-0005	Hexagon bolt with flange	4
13	110500033-0001	RUBBER PLUG	1
14	380140077-0005	Hexagon bolt with flange	4
15	196760001-0001	Reduction gearbox Reinforcing plate	2

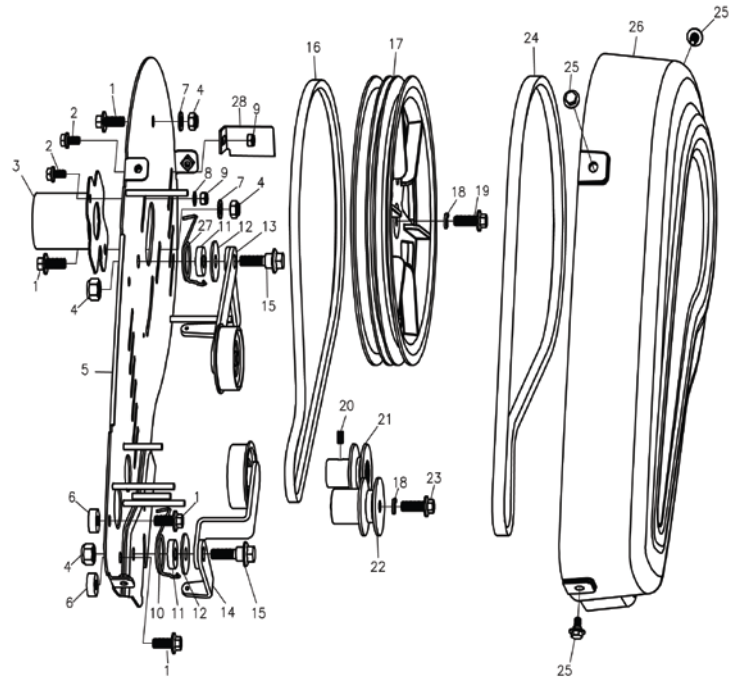


GEAR BOX

No.	Part No.	Description	Reqd. QTY
1	T056001330-0005007	ENGINE	1
2	380450003-0006	Flat washer	14
3	380350006-0001	Hexagon locknut for nonmetal insert	14
4	380140005-0006	Hexagon bolt with flange	4
5	660700004-0001	Support wheel assembly	1
6	380400002-0004	Hexagon locknut for nonmetal insert	1
7	380070286-0001	Hexagon bolt	1
8	310020035-0001	Front fork	1
9	381350011-0001	Pin clip	2
10	380610047-0001	Pin	1
11	380020133-0001	Hexagon shaft shoulder bolt	1
12	380450729-0001	Flat washer	1
13	380350003-0002	Hexagon locknut for nonmetal insert	1
14	300110141-0001	Engine Bracket	1
15	661800003-0001	fender	2
16	380140004-0004	Hexagon bolt with flange	6
17	661550001-0001	Damping arm Pin	1
18	381350012-0001	Pin clip	1
19	661390005-0001	Damping arm Holder	1
20	661400005-0001	Damping arm	1
21	380140148-0005	Hexagon bolt with flange	4
22	191900001-0001	Gearbox Locating Block	4
23	380610241-0001	Pin	1
24	661560001-0001	Bayonet lock combination	2
25	380620101-0001	Key	1

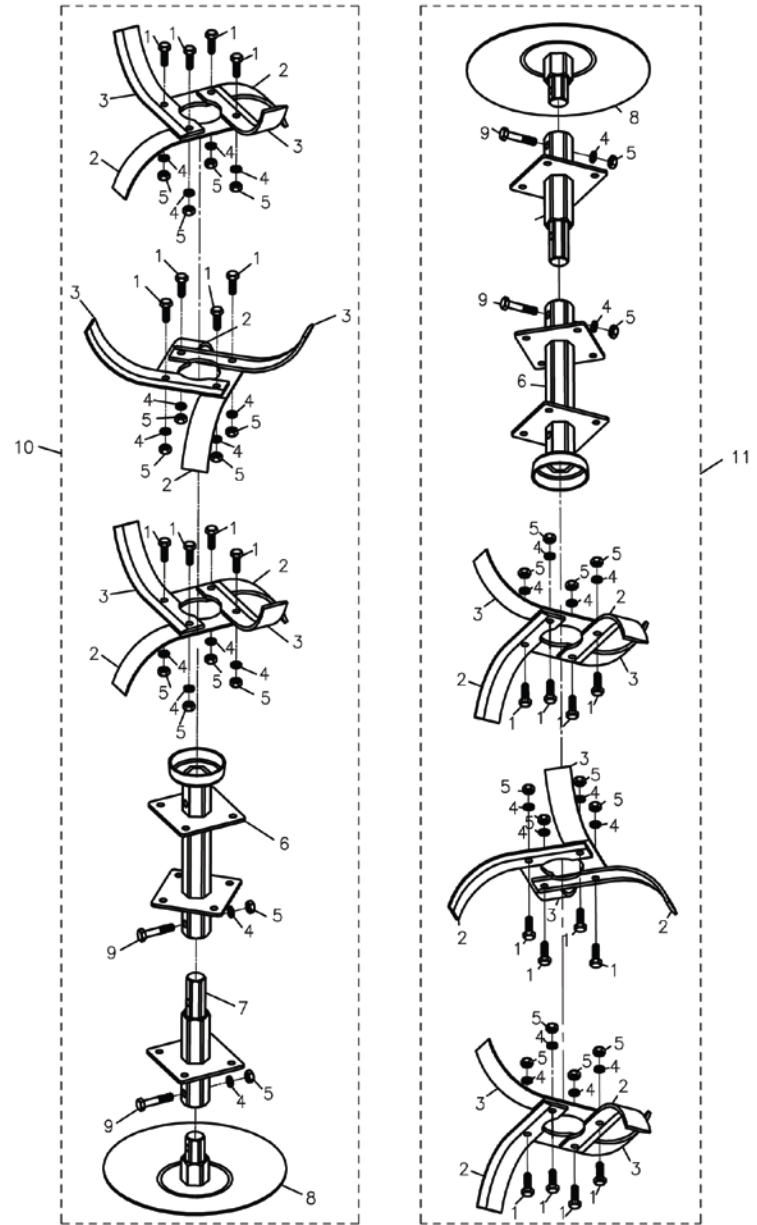


CLOSING WHEEL,STRAP			
No.	Part No.	Description	Reqd. QTY
1	380140004-0004	Hexagon bolt with flange	4
2	380140209-0001	Hexagon bolt with flange	2
3	380770258-0001	Protective sleeve	1
4	380350006-0001	Hexagon locknut for nonmetal insert	4
5	661440002-0001	Driven pulley plate combination	1
6	380822680-0001	Bushing	2
7	380450003-0006	Flat washer	2
8	380450729-0001	Flat washer	1
9	380350003-0002	Hexagon locknut for nonmetal insert	2
10	381160163-0001	Torsion spring	1
11	380822927-0001	Bushing	2
12	380450971-0001	Flat washer	2
13	661540005-0001	Belt tensioning wheel	1
14	661540004-0001	Belt tensioning wheel	1
15	380100042-0001	Hex head flange bolt axial	2
16	193000029-0001	belt	1
17	195920004-0001	Follower Pulley combination	1
18	380460001-0006	Elastic washer	2
19	380140091-0005	Hexagon bolt with flange	1
20	381190004-0001	slotted set screw with flat point	1
21	195910011-0001	driving pulley	1
22	195910004-0001	driving pulley	1
23	380140520-0001	Hexagon bolt with flange	1
24	193000021-0001	belt	1
25	380020070-0001	Hexagon shaft shoulder bolt	3
26	260170004-0001	Strap Cover	1
27	381160162-0001	Torsion spring	1
28	661470003-0001	Belt limit plate combination	1



BLADE ASSEMBLY

No.	Part No.	Description	Reqd. QTY
1	380070045-0007	Hexagon bolt	24
2	661520001-0001	Plow blade(right)	12
3	661510001-0001	Plow blade(left)	12
4	380460001-0008	Elastic washer	28
5	380340005-0006	Hexagon nut	28
6	661720010-0001	main tilth knife tube	2
7	661730001-0001	subsidiary tilth knife tube	2
8	661740001-0001	cut tray	2
9	380070044-0006	Hexagon bolt	4
10	661500013-0001	Plow knife components(right)	1
11	661490016-0001	Plow knife components(left)	1



MULRIPLE ARMREST

No.	Part No.	Description	Reqd. QTY
1	171210476-0001	Throttle cable	1
2	196780006-0001	Reverse inhaul cable	1
3	192490004-0001	Handle Coat	1
4	661750002-0001	HANDLE	1
5	320440005-0002	Handlebar setting crankset	1
6	271550025-0001	Handle Adjusting nut	1
7	320400068-0001	Lever combination	1
8	271510152-0001	Handle(Left)	2
9	320180196-0001	Lever Rubber	2
10	271660067-0001	Stop switch	1
11	320240381-0001	Clutch cable	1

