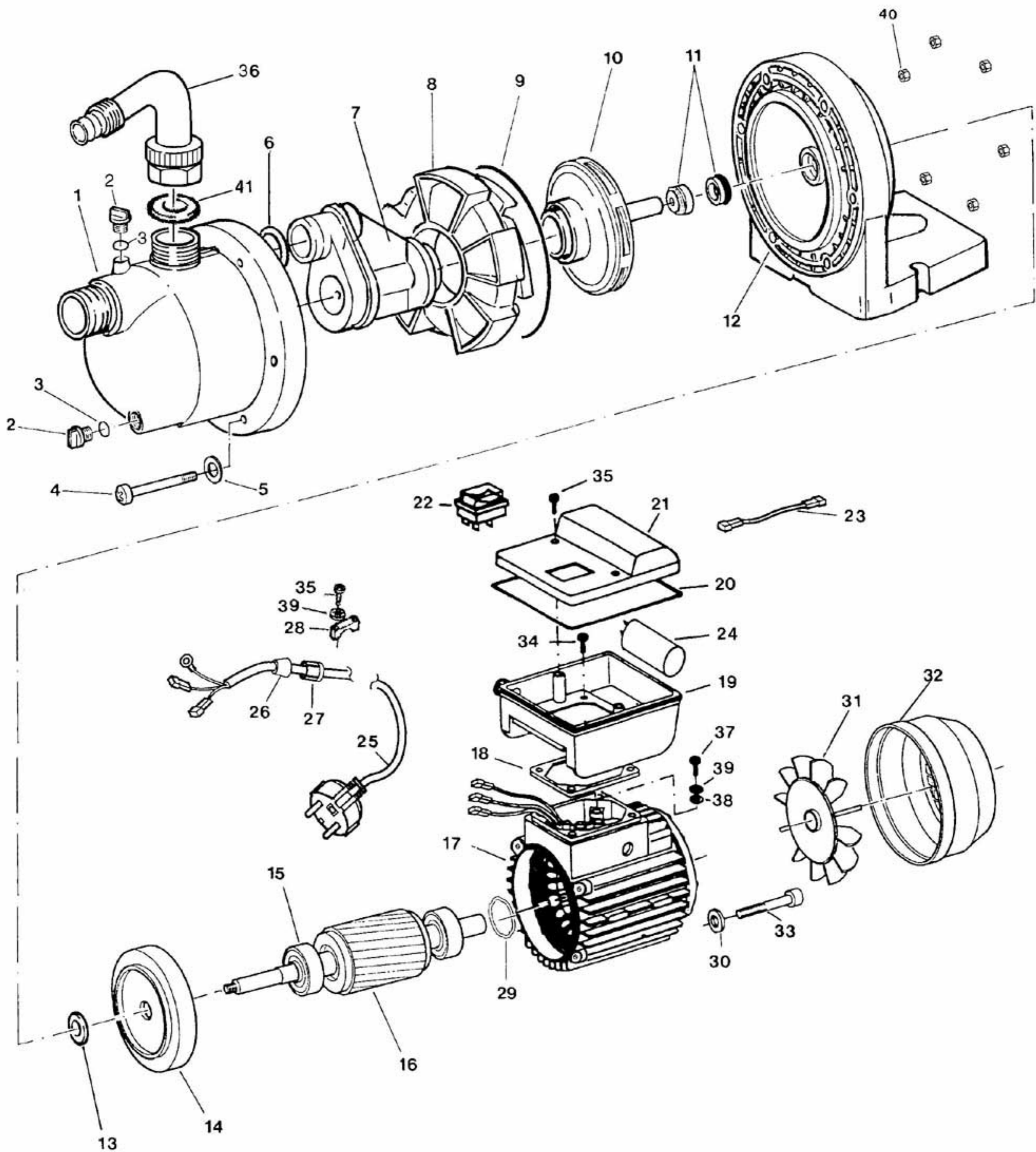


STW FIRST



STW FIRST

Model	Ref.	Art. Leader	Descrizione	Description	Description
CA100001 - STW FIRST	1	S3500410	Corpo pompa	Pump housing	Corps de pompe
CA100001 - STW FIRST	2	S3500009	Tappo filetato 3/8" GAS	Screw 3/8" GAS	Bouchon 3/8" GAS
CA100001 - STW FIRST	3	P1200004	Guarnizione O.Ring	Joint O.Ring	Joint torique
CA100001 - STW FIRST	4	P1100002	Vite	Screw	Vis
CA100001 - STW FIRST	5	P1120009	Rosetta	Washer	Rondelle
CA100001 - STW FIRST	6	P1200024	Guarnizione O.Ring	Joint O.Ring	Joint torique
CA100001 - STW FIRST	7	S3250012	Gruppo idraulico	Injector	Groupe hydraulique
CA100001 - STW FIRST	8	S3500247	Diffusore	Diffusor	Diffuseur
CA100001 - STW FIRST	9	P1200015	Guarnizione O.Ring	Joint O.Ring	Joint torique
CA100001 - STW FIRST	10	S3150048	Girante	Impeller	Roue
CA100001 - STW FIRST	11	P1220003	Gruppo tenuta meccanica	Mechanical seal	Etanchéité mécanique
CA100001 - STW FIRST	12	S3600150	Flangia senza manico	Flange without handle	Flasque sans poignée
CA100001 - STW FIRST	13	P1240001	Paraspruzzi	Joint	Joint
CA100001 - STW FIRST	14	S3120007	Flangia	Flange	Flasque
CA100001 - STW FIRST	15	P1180007	Cuscinetto	Bearing	Roulement
CA100001 - STW FIRST	16	S3101010	Albero rotore completo di cuscinetti	Shaft with bearings	Arbre avec roulements
CA100001 - STW FIRST	17	S3410238	Statore completo	Stator	Stator complét
CA100001 - STW FIRST	18	S3500199	Gasket basetta 63/71	Gasket 63/71	Gasket 63/71
CA100001 - STW FIRST	19	S3500221	Base portacondensatore	Base capacitor holder	Base boîtier
CA100001 - STW FIRST	20	P1200013	Guarnizione O.Ring	Joint O.Ring	Joint torique
CA100001 - STW FIRST	21	S3500223	Coperchio portacondensatore	Cap capacitor holder	Couvercle boîtier
CA100001 - STW FIRST	22	P1380044	Interruttore non luminoso	Switch	Interrupteur
CA100001 - STW FIRST	23	P1310001	Cavetto blue	Cable blue	Câble bleu
CA100001 - STW FIRST	24	P1360018	Condensatore	Capacitor	Condensateur
CA100001 - STW FIRST	25	P1330064	Cavo di alimentazione	Cable	Câble
CA100001 - STW FIRST	26	P1230001	Gommino d9	Joint d9	Joint d9
CA100001 - STW FIRST	27	P1510009	Dado	Nut	Ecrou
CA100001 - STW FIRST	28	P1510004	Cricchetto serracavo	Cable fastener	Presse-câble
CA100001 - STW FIRST	29	P1120002	Anello onda	Waved ring	Anneau ondulé
CA100001 - STW FIRST	30	P1120030	Rosetta	Washer	Rondelle
CA100001 - STW FIRST	31	P1510014	Ventola raffreddamento Mec 63	Fan Mec 63	Ventilateur Mec 63
CA100001 - STW FIRST	32	P1510043	Copri ventola Mec 63	Fan cover Mec 63	Cache ventilateur Mec 63
CA100001 - STW FIRST	33	P1100046	Vite	Screw	Vis
CA100001 - STW FIRST	34	P1100004	Vite	Screw	Vis
CA100001 - STW FIRST	35	P1100006	Vite	Screw	Vis
CA100001 - STW FIRST	36+41	S3600361	Raccordo 2 pz. con guarnizione piana	Elbow with joint	Embout avec Joint
CA100001 - STW FIRST	37	P1100055	Vite	Screw	Vis
CA100001 - STW FIRST	38	P1120051	Rosetta	Washer	Rondelle
CA100001 - STW FIRST	39	P1120003	Rosetta elastica	Spring-washer	Rondelle élastique
CA100001 - STW FIRST	40	P1110001	Dado	Nut	Ecrou