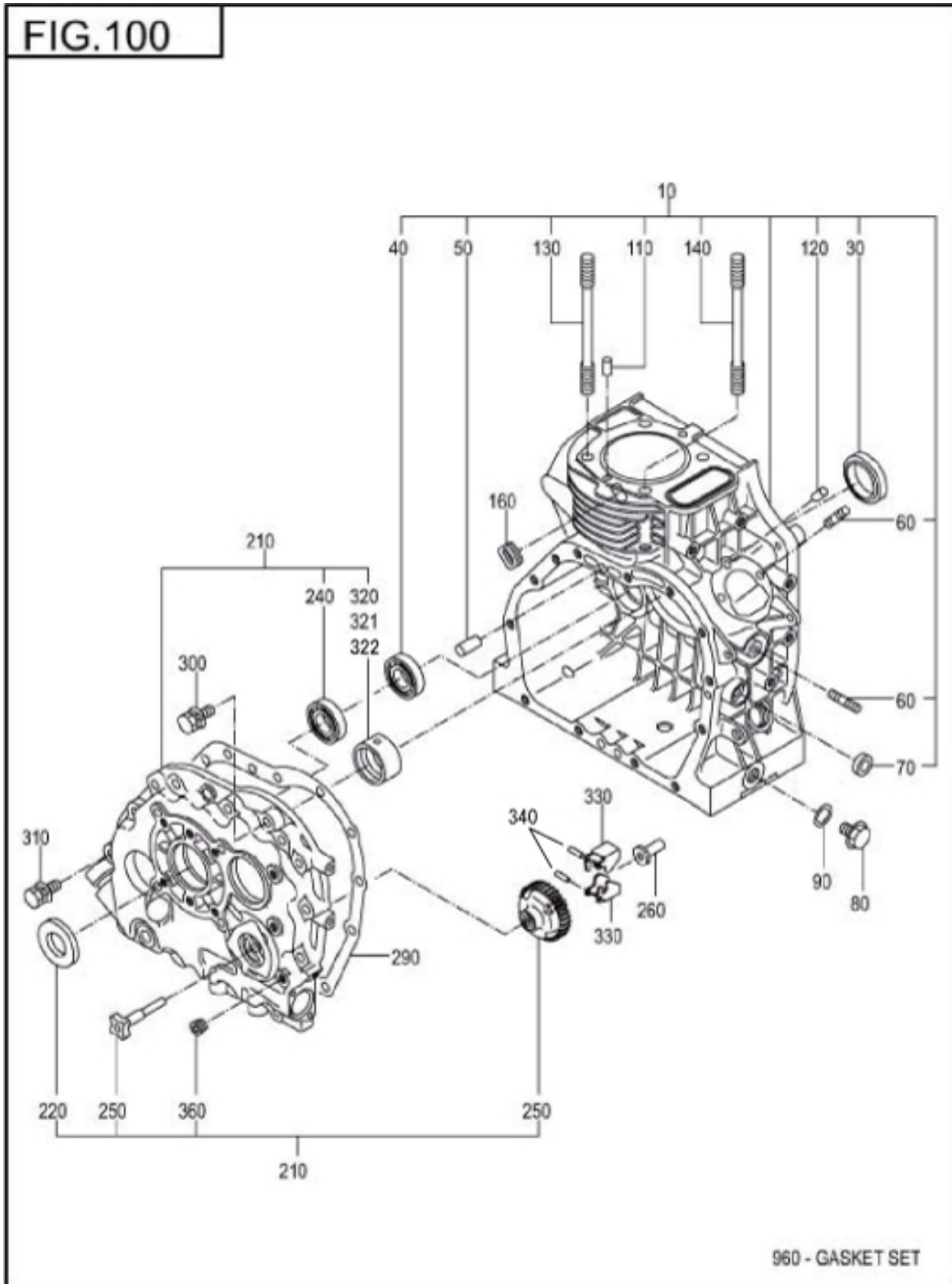


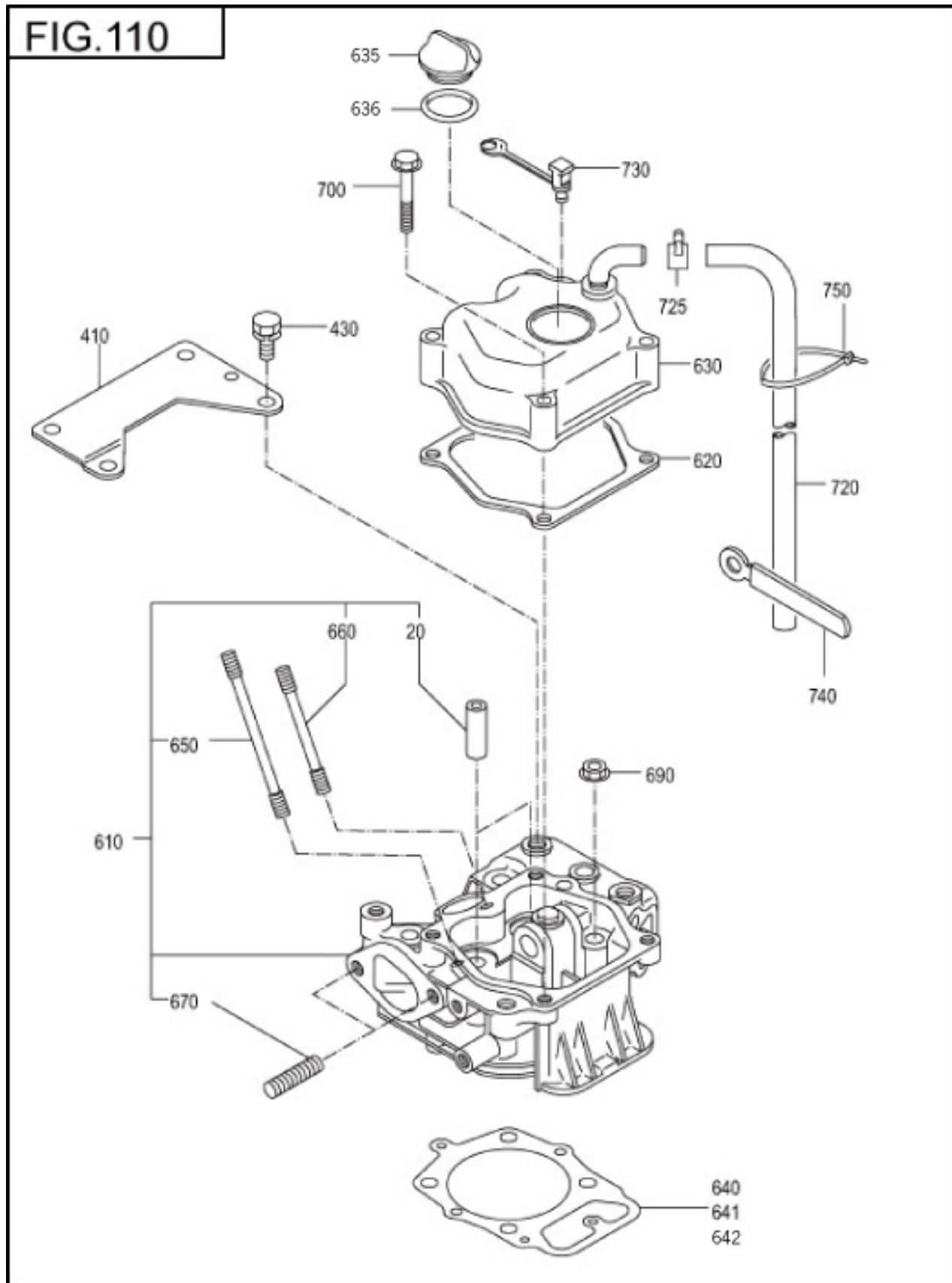
1 CRANK CASE



REF.	PART NUMBER	PART NAME	CODE NO.	QTY	REMARKS	INTERCHANGE
10	243-10103-71	CRANK CASE CP	5115-	1		243-10103-81
	243-10103-61	CRANK CASE CP	4292-5114	1		243-10103-71
	243-10103-51	CRANK CASE CP	-4291	1		243-10103-71
30	044-03000-60	OIL SEAL	-	1	TB30488	044-03000-61
50	005-26081-80	DOWEL PIN	-	2		031-00801-10
60	001-37062-21	STUD	-	3		
70	044-00800-30	OIL SEAL	-	1	8X18X7	
80	040-11400-30	PLUG	-	2	M14X1. 5X20DX12L	
90	021-11400-20	GASKET	-	2	14. 1DX19DX2. 3T	
110	031-00600-10	DOWEL PIN	-	2	6DX14. 8L	
120	031-00500-10	DOWEL PIN	-	1	5DX10L	031-00500-30
130	244-16001-11	TENSION BOLT CP	-	3		244-16001-21
140	244-16002-11	TENSION BOLT CP	-	1		244-16002-21
210	255-11002-11	M,BEARING COVER CP	5692-	1		
	255-11002-01	M,BEARING COVER CP	5266-5691	1		255-11002-11
	243-11002-61	MAINBEARING COVER CP	4292-5265	1		
	243-11002-51	MAINBEARING COVER CP	4200-4291	1		
	243-11002-41	MAINBEARING COVER CP	-4199	1		243-11002-51
220	044-02501-60	OIL SEAL	-	1	25DX41DX7B	
250	243-45011-17	GOVERNOR GEAR SET	-	1		
260	205-41901-03	GOVERNOR SLEEVE	-	1	6DX9DX16DX26L	
290	255-15004-03	GASKET(BEARING COVER	5570-	1		
	243-15026-03	GASKET(BEARING COVER	-5569	1		255-15004-03
300	011-00802-70	FLANGE BOLT	5480-	12	M8X1. 25X16DX33L	011-00803-10
	001-14083-50	BOLT AND WASHER AY	5327-5479	12	M8X1. 25X35L W/W, SW	
	001-13083-50	BOLT AND WASHER AY	-5326	12	M8X1. 25X35L W/SW	
310	011-00802-80	FLANGE BOLT	5480-	1		
	001-14084-00	BOLT AND WASHER AY	5327-5479	1	M8X1. 25X40L W/W, SW	

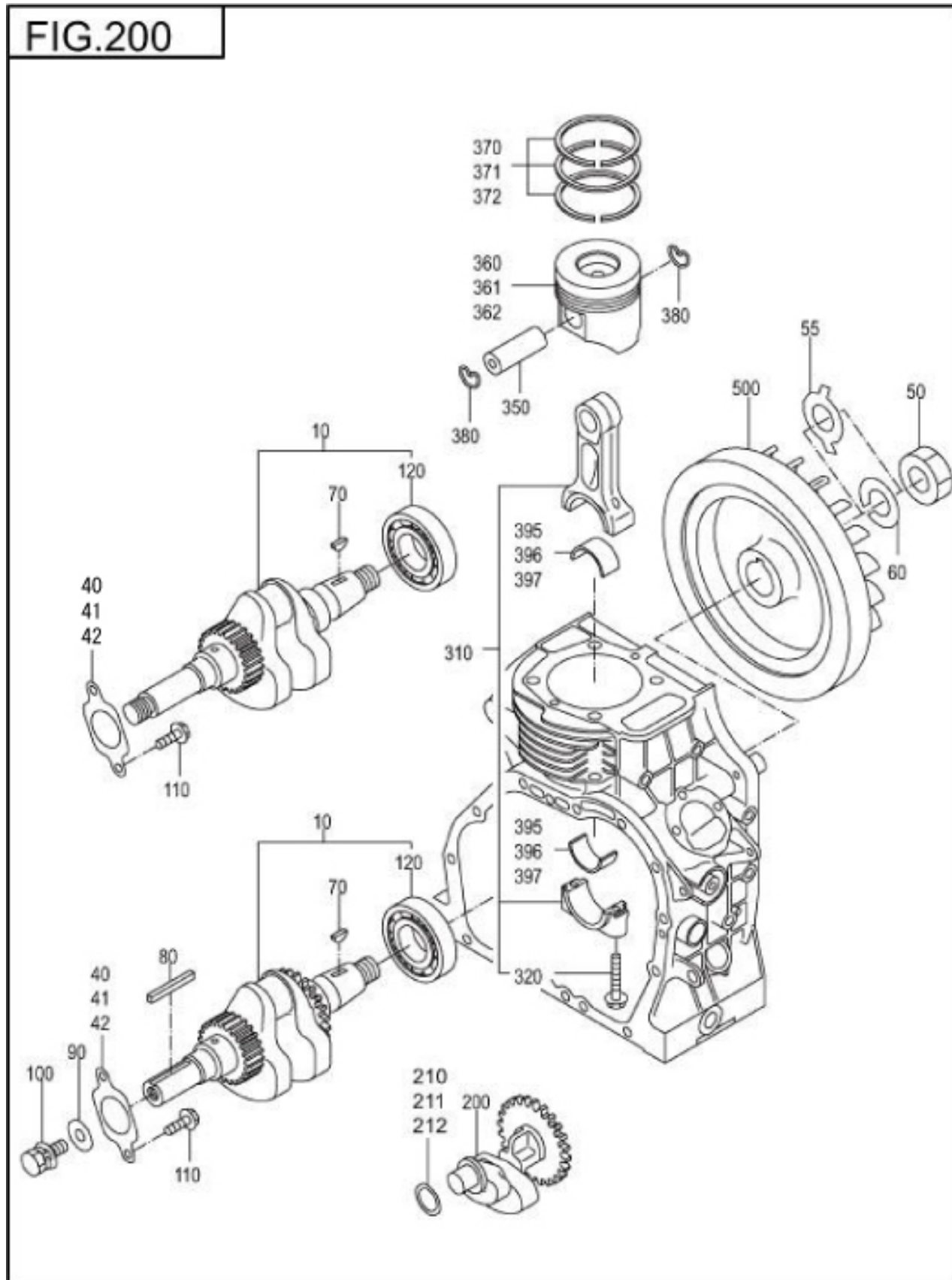
REF.	PART NUMBER	PART NAME	CODE NO.	QTY	REMARKS	INTERCHANGE
	001-13084-00	BOLT AND WASHER AY	-5326	1	M8X1.25X40L W/SW	
320	243-15801-03	MAIN BEARING	-	1	STD.	
321	243-15802-03	MAIN BEARING	-	1	0.25 U.S.	
322	243-15803-03	MAIN BEARING	-	1	0.50 U.S.	
330	220-41601-03	FLYWEIGHT	-	2		220-41601-H3
340	030-73000-70	PIN	-	2	2.6DX27.5L	
360	235-15421-03	BLIND PLUG	5266-	4	PT1/8X8L	
	212-15008-13	BLIND PLUG	-5265	1	PT1/8X9L	
960	255-99001-27	GASKET SET	-	1		

1 CRANK CASE



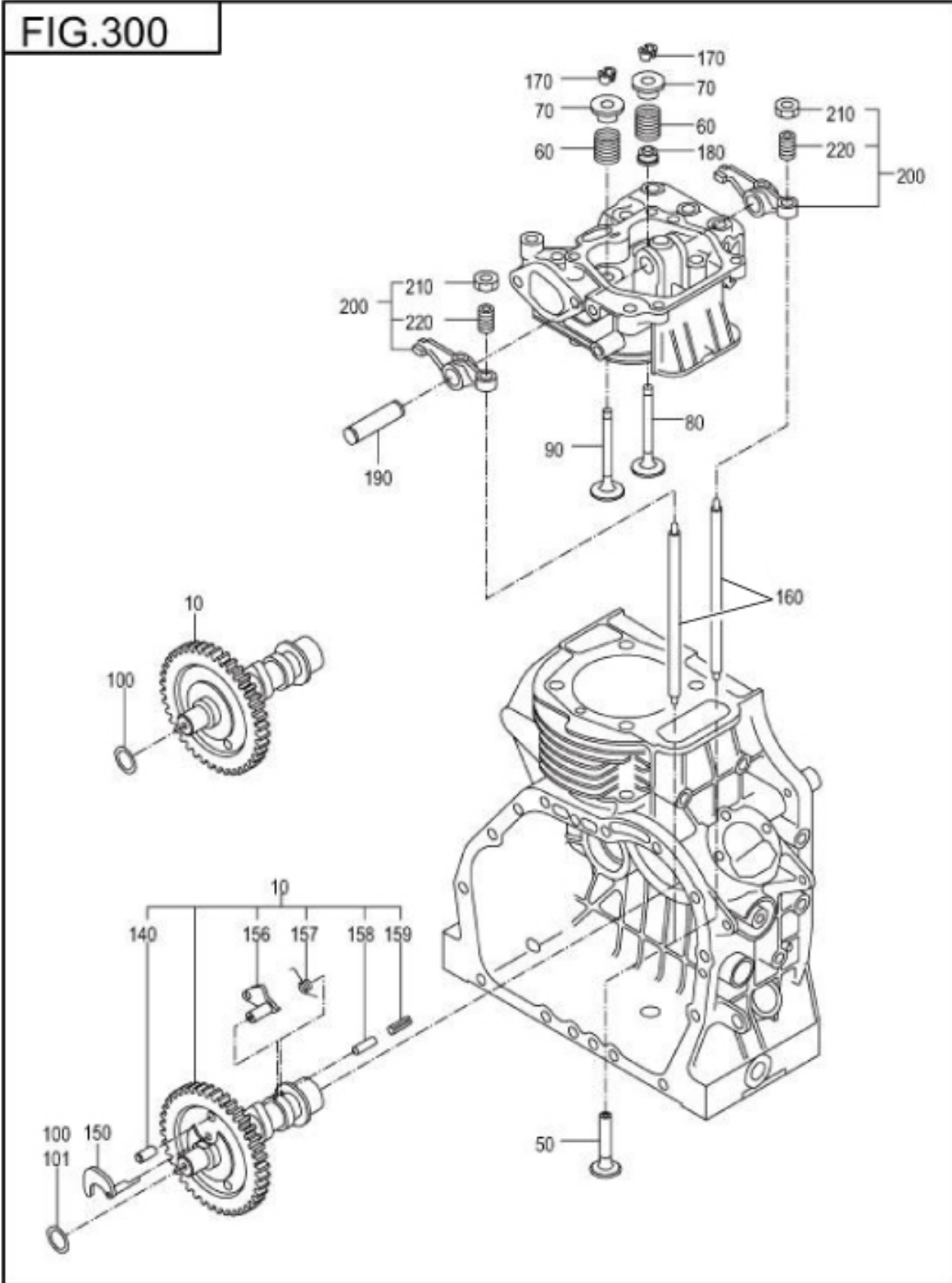
REF.	PART NUMBER	PART NAME	CODE NO.	QTY	REMARKS	INTERCHANGE
20	243-14204-13	VALVE GUIDE	-	2	OVER SIZE	
610	243-13001-81	CYLINDER HEAD CP	5996-	1		
	243-13001-71	CYLINDER HEAD CP	4353-5995	1		243-13001-81
	243-13001-61	CYLINDER HEAD CP	2678-4352	1		243-13001-71
620	243-15032-13	GASKET(ROCKER COVER)	3897-	1		
	243-15032-03	GASKET(ROCKER COVER)	-3896	1		243-15032-13
630	243-17101-01	ROCKER COVER CP	-	1		
640	255-15001-03	GASKET(HEAD)	5146-	1	T=0.2	
	243-15027-13	GASKET(HEAD)	4200-5145	1	T=0.2	255-15001-03
	243-15027-03	GASKET(HEAD)	-4199	1	T=0.2	255-15001-03
641	255-15002-03	GASKET(HEAD)	5146-	1	T=0.25	
	243-15028-13	GASKET(HEAD)	4200-5145	1	T=0.3	255-15003-03
	243-15028-03	GASKET(HEAD)	-4199	1	T=0.3	243-15028-13
642	255-15003-03	GASKET(HEAD)	5146-	1	T=0.3	
650	001-39066-00	STUD	-	1		
660	010-50601-50	STUD	-	1	M6X1.0X70L	
670	001-37082-01	STUD	-	2		
690	018-00900-10	FLANGE NUT	-	4	M9X18DX9H	
700	011-00601-70	FLANGE BOLT	-	4	M6X1.0X13DX40L	
730	243-55011-03	PLUG	-	1		

2 CRANKSHAFT,PISTON



REF.	PART NUMBER	PART NAME	CODE NO.	QTY	REMARKS	INTERCHANGE
10	243-20304-41	CRANK SHAFT CP	5631-	1		
	243-20304-31	CRANKSHAFT CP	-5630	1		243-20304-41
40	243-25001-03	THRUST WASHER	-	1	T=0.8	
41	243-25002-03	THRUST WASHER	-	1	T=1.0	
42	243-25003-03	THRUST WASHER	-	1	T=1.2	
50	002-18180-00	NUT	-	1	M18X1.5X15H	
60	003-20180-00	SPRING WASHER	-	1	18.2DX31DX4.6T	
70	032-30300-10	WOODRUFF KEY	-	1	3BX6HX16D	
110	011-00600-10	FLANGE BOLT	-	2	M6X1.0X14DX8L	
120	060-03502-00	BALL BEARING	5631-	1		
	060-03500-20	BALL BEARING	-5630	1	BB6307	060-03502-00
310	243-22510-00	CONNECTING ROD AY	-	1		
320	243-23002-03	CONNECTING ROD BOLT	-	2		
350	243-23301-13	PISTON PIN	6960-	1		
	243-23301-03	PISTON PIN	-6959	1		243-23301-13
360	255-23401-H3	PISTON	6960-	1		
	243-23401-13	PISTON	-6959	1	STD.	255-23401-H3
361	255-23402-H3	PISTON(0.25)	6960-	1		
	243-23402-13	PISTON	-6959	1	0.25 O.S.	255-23402-H3
362	255-23403-H3	PISTON(0.5)	6960-	1		
	243-23403-13	PISTON	-6959	1	0.50 O.S.	255-23403-H3
370	243-23501-27	PISTON RING SET	-	1	STD.	
371	243-23502-27	PISTON RING SET	-	1	0.25 O.S.	
372	243-23503-27	PISTON RING SET	-	1	0.50 O.S.	
380	056-52000-30	CLIP	-	2		
395	243-22801-03	LARGE END BEARING	-	2	STD.	
396	243-22802-03	LARGE END BEARING	-	2	0.25 U.S.	
397	243-22803-03	LARGE END BEARING	-	2	0.50 U.S.	
500	243-22410-13	FLYWHEEL	-	1		

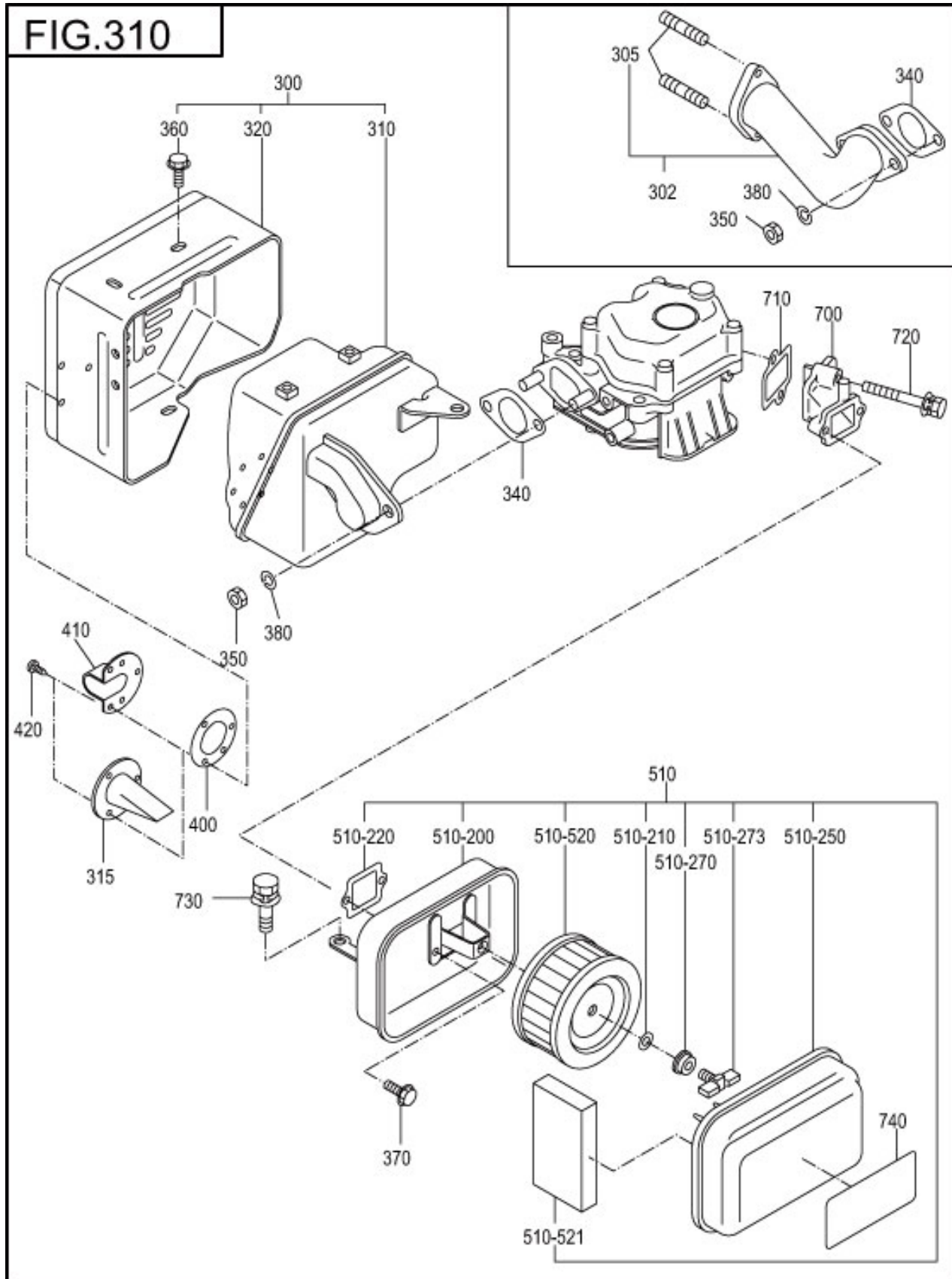
3 INTAKE EXHAUST





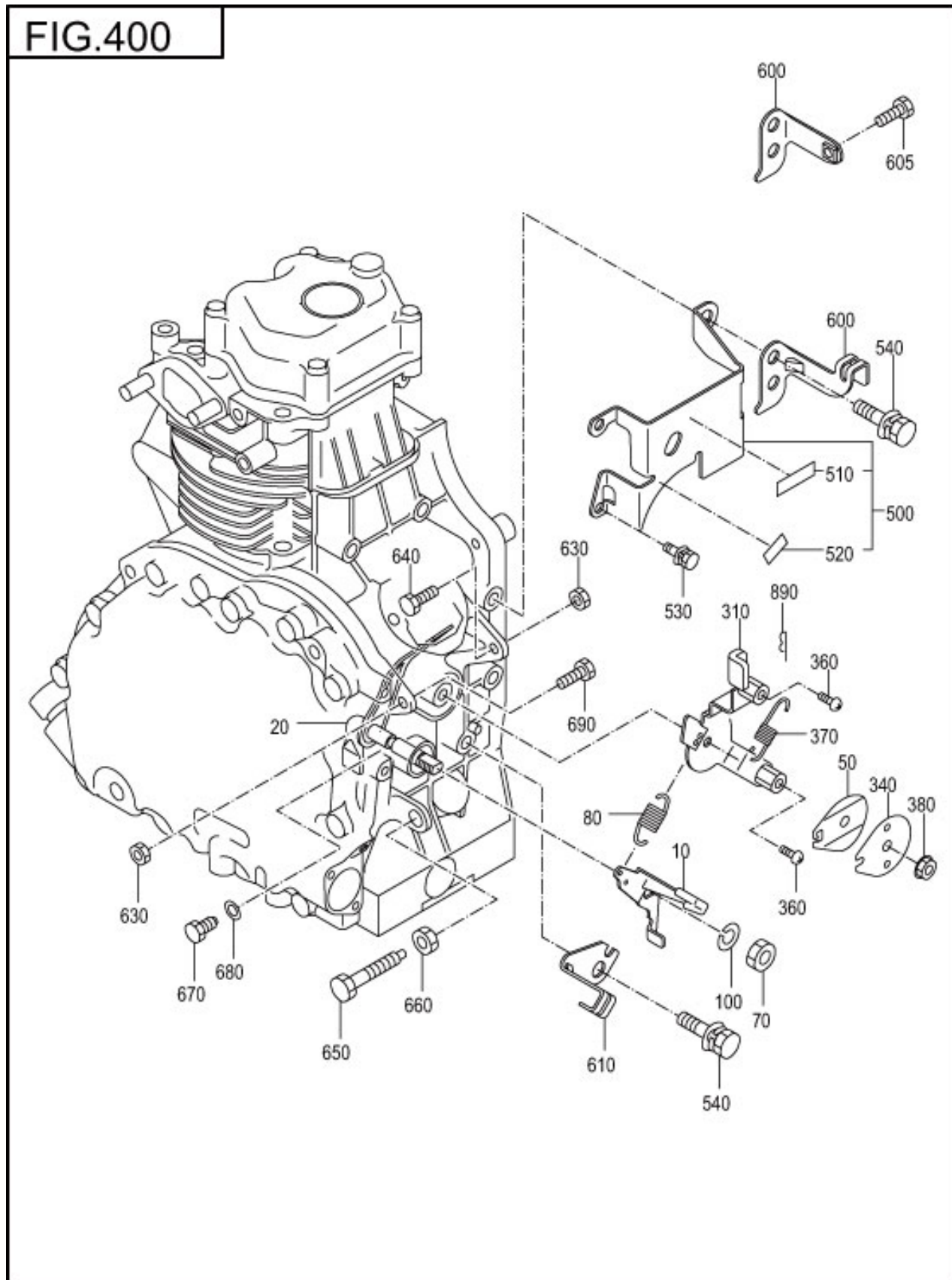
REF.	PART NUMBER	PART NAME	CODE NO.	QTY	REMARKS	INTERCHANGE
10	255-31703-21	CAMSHAFT CP	5631-	1		
	255-31703-11	CAMSHAFT CP	5146-5630	1		255-31703-21
	255-31703-01	CAMSHAFT CP	4657-5145	1		255-31703-11
	243-31702-41	CAMSHAFT CP	4174-4656	1		255-31703-21
	243-31702-31	CAMSHAFT CP	2472-4173	1		255-31706-21
	243-31702-21	CAMSHAFT CP	-2471	1		255-31706-01
50	243-33301-03	TAPPET	-	2		243-33301-H3
60	243-33601-03	VALVE SPRING	-	2		
70	243-33701-23	SPRING RETAINER	6026-	2		
	243-33701-13	SPRING RETAINER	-6025	2		243-33701-23
80	243-33401-23	INTAKE VALVE	-	1		
90	243-33501-23	EXHAUST VALVE	-	1		
100	023-01900-20	SPACER	4200-	1	19DX28DX0. 8T	
	023-01600-20	SPACER	-4199	1	T=0. 8	
101	023-01900-30	SPACER	4200-	1	19DX28DX1. 0T	
	023-01600-31	SPACER	-4199	1	T=1. 0	
140	005-26081-80	DOWEL PIN	-	1		031-00801-10
150	243-35503-23	RELEASE LEVER	4231-	1		
	243-35503-13	RELEASE LEVER	-4230	1		
156	243-35505-03	RELEASE LEVER	-	1		
157	243-35021-03	SPRING(RELEASE)	-	1		
158	243-35022-03	SHAFT(RELEASE)	-	1		
159	005-19031-20	SPRING PIN	-	1		
160	243-35032-01	PUSH ROD CP	-	2		255-35005-01
170	243-33801-13	RETAINER LOCK	-	4		
180	237-16008-01	STEM SEAL	-	1	5. 5DX9. 5DX14DX7. 5B	277-16010-01
190	243-35034-03	ROCKER SHAFT	-	1		
200	243-36002-01	ROCKER ARM CP	-	2		
210	017-00800-90	NUT	-	2	M8X0. 75X5. 1H	
220	014-90800-21	ADJUSTING SCREW	-	2	M8X0. 75X13. 4L	

### 3 INTAKE EXHAUST



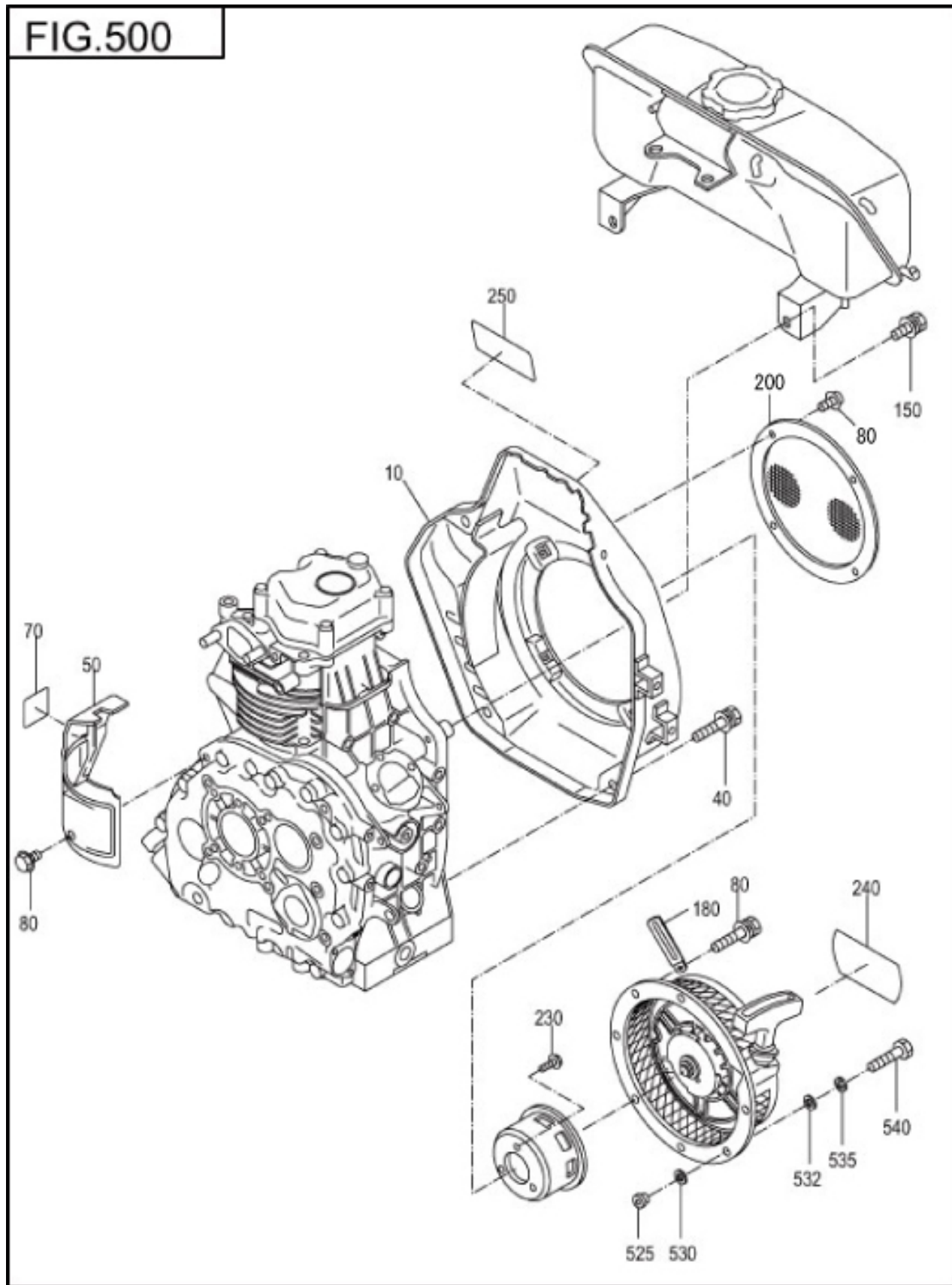
REF.	PART NUMBER	PART NAME	CODE NO.	QTY	REMARKS	INTERCHANGE
300	255-30103-00	MUFFLER AY	-	1		255-30103-10
340	255-35002-03	GASKET(EXHAUST)	5570-	1		
	243-35002-03	GASKET(EXHAUST)	-5569	1		255-35002-03
350	017-00800-30	NUT	5631-	2	M8X1. 25X6. 5H	
	002-19080-00	NUT	-5630	2		
360	001-10061-00	BOLT AND WASHER AY	-	5	M6X1. 0X10L W/SW	
370	001-13061-20	BOLT AND WASHER AY	-	2		001-14061-20
380	003-20080-00	SPRING WASHER	-	2	8. 2DX15. 4DX2T	
400	243-35005-23	GASKET(TAIL PIPE)	-2588	1		255-35003-03
410	243-37002-11	TAIL PIPE CP	-	1		
420	015-00400-60	TAPPING SCREW	-	3	M4X6L	
510	243-32601-00	AIR CLEANER AY	-	1		
-200	243-32620-08	BACK PLATE CP	-	1		
-220	243-32651-08	PACKING	-	1		
-250	243-32640-08	COVER CP	-	1		
-273	246-32653-08	WING BOLT CP	-	1		
-520	243-32600-08	ELEMENT CP	-	1		
-521	243-32611-08	ELEMENT	-	1		
700	243-33101-13	INTAKE MANIFOLD	-	1		
710	243-35003-13	GASKET(IN-MANIFOLD)	-	1		
720	001-13083-50	BOLT AND WASHER AY	-	2	M8X1. 25X35L W/SW	
730	001-13081-60	BOLT AND WASHER AY	-	1	M8X1. 25X16L W/SW	

### 4 GOVERNOR,OPERATION



REF.	PART NUMBER	PART NAME	CODE NO.	QTY	REMARKS	INTERCHANGE
10	243-42902-21	CONTROL LINK CP	-	1		
20	243-42301-12	GOVERNOR LEVER UN	-	1		
50	227-45002-03	SPRING WASHER	-	1		
70	002-18080-00	NUT	-	1		
80	243-42503-01	GOVERNOR SPRING CP	-	1		243-42503-13
100	003-20080-00	SPRING WASHER	-	1	8. 2DX15. 4DX2T	
310	243-43302-10	SPEED CONTROL AY	-	1		
340	227-43501-13	STOP PLATE	-	1		
380	017-60600-30	SELF LOCK NUT	-	1	M6X1. 0X7. 5H	
500	255-40166-01	CONTROL PANEL CP	-	1		
510	073-20045-60	LABEL(OPERATION)	-	1		
520	073-20045-50	LABEL(OPERATION)	-	1		
530	001-13061-20	BOLT AND WASHER AY	-	2		001-14061-20
540	001-13081-60	BOLT AND WASHER AY	-	2	M8X1. 25X16L W/SW	
630	002-18060-00	NUT	-	2		
640	001-66063-00	BOLT	-	1		
650	243-45501-10	SMOKE SET AY	-	1		243-45502-00
660	002-27100-00	NUT	-	1		
670	243-45002-03	BOLT	-	1		
680	003-10060-00	WASHER	-	1	6. 5DX11. 5DX0. 8T	
690	010-00603-70	BOLT	-	1		

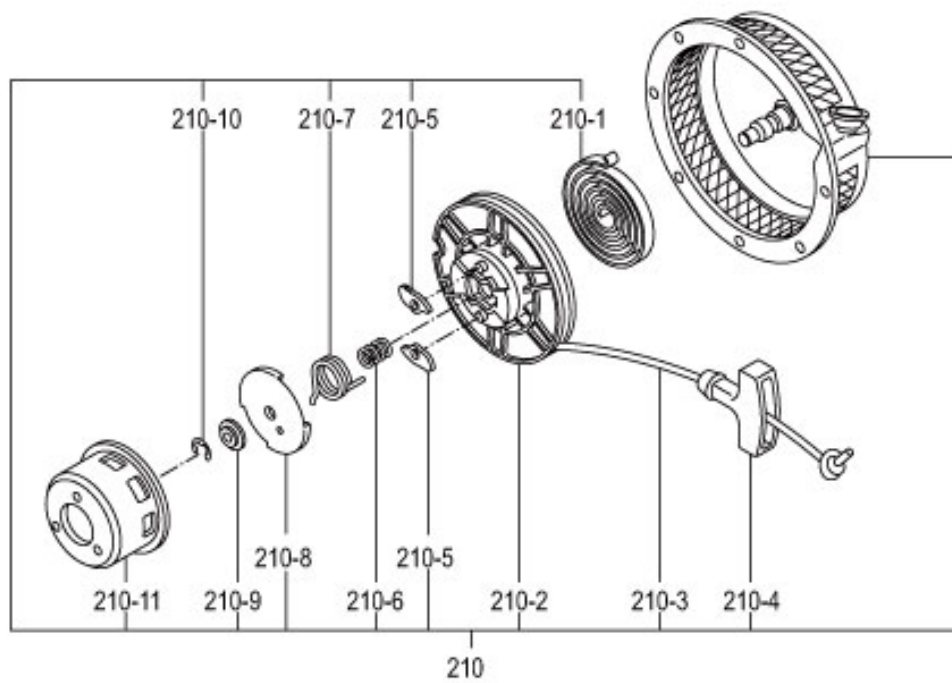
5 COOLING,STARTING



REF.	PART NUMBER	PART NAME	CODE NO.	QTY	REMARKS	INTERCHANGE
10	243-51206-01	BLOWER HOUSING CP	-	1		
40	001-13082-00	BOLT AND WASHER AY	-	4	M8X1.25X20L W/SW	
50	243-52601-33	CYLINDER BAFFLE	-	1		
70	255-91803-03	LABEL(ENGINE NAME)	-	1		
80	011-00600-10	FLANGE BOLT	-	5	M6X1.0X14DX8L	
150	001-13083-00	BOLT AND WASHER AY	-	2	M8X1.25X30L W/SW	
230	001-13061-20	BOLT AND WASHER AY	-	3		001-14061-20
240	243-95004-13	LABEL(DIESEL MARK)	-	1		

6 COOLING,STARTING

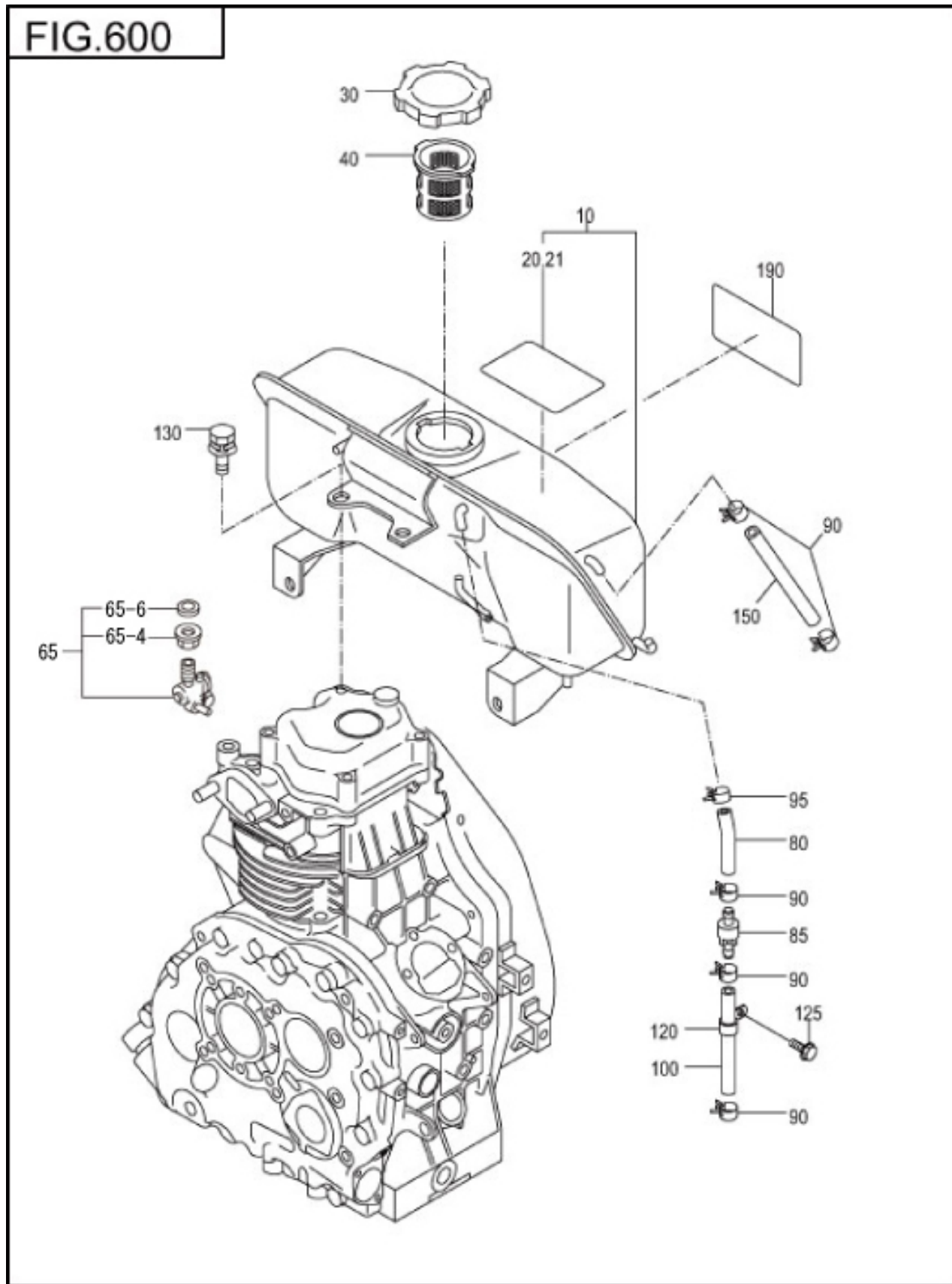
FIG.550





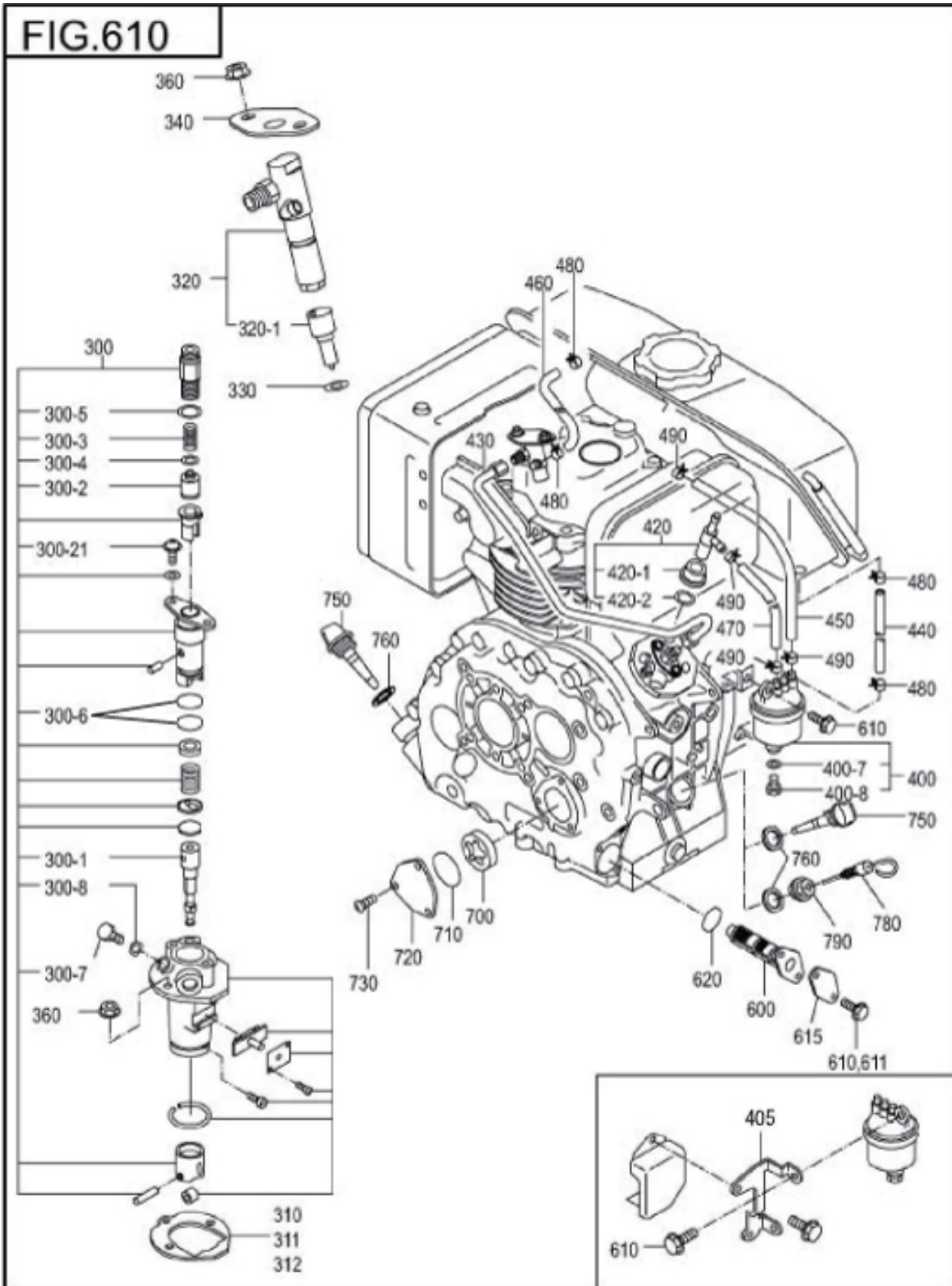
REF.	PART NUMBER	PART NAME	CODE NO.	QTY	REMARKS	INTERCHANGE
210	243-50201-20	RECOIL STARTER AY	-	1		243-50201-30
- 1	106-50116-08	SPIRAL SPRING	-	1		
- 2	239-50220-08	REEL CP	-	1		
- 3	243-50110-08	STARTER ROPE	-	1		
- 4	236-50101-08	STARTER KNOB	-	1		236-50101-18
- 5	106-50128-18	RATCHET	-	2		
- 6	106-50132-08	FRICTION SPRING	-	1		
- 7	106-50136-18	RETURN SPRING	-	1		
- 8	106-50144-08	FRICTION PLATE	-	1		106-50144-18
- 9	106-50185-08	THRUST WASHER	-	1		
- 10	106-50186-08	CLIP	-	1		
- 11	243-50145-08	STARTING PULLEY	-	1		

6 FUEL LUBRICANT



REF.	PART NUMBER	PART NAME	CODE NO.	QTY	REMARKS	INTERCHANGE
10	255-60103-01	FUEL TANK CP	-	1		
20	073-20045-30	LABEL(WARNING)	3333-	1		
30	043-04300-15	FUEL TANK CAP CP	-	1	42. 5DX68DX14H	043-04400-50
40	064-13600-10	FUEL FILTER	-	1	36DX46DX43H	X64-13600-10
80	085-14500-00	RUBBER PIPE	-	1	4. 5DX9D	
85	228-65032-13	CHECK VALVE	-	1		255-65006-03
90	056-10800-10	HOSE CLAMP	-	6	7. 8DX6BX0. 6T	
95	056-10800-20	HOSE CLAMP	-	1	8. 5DX8BX0. 7T	
100	085-14500-00	RUBBER PIPE	-	1	4. 5DX9D	
120	150-75201-03	CLAMP	-	1		
125	001-10061-00	BOLT AND WASHER AY	-	1	M6X1. 0X10L W/SW	
130	001-13082-00	BOLT AND WASHER AY	-	2	M8X1. 25X20L W/SW	
190	243-91701-03	LABEL(TRADE MARK)	-	1		

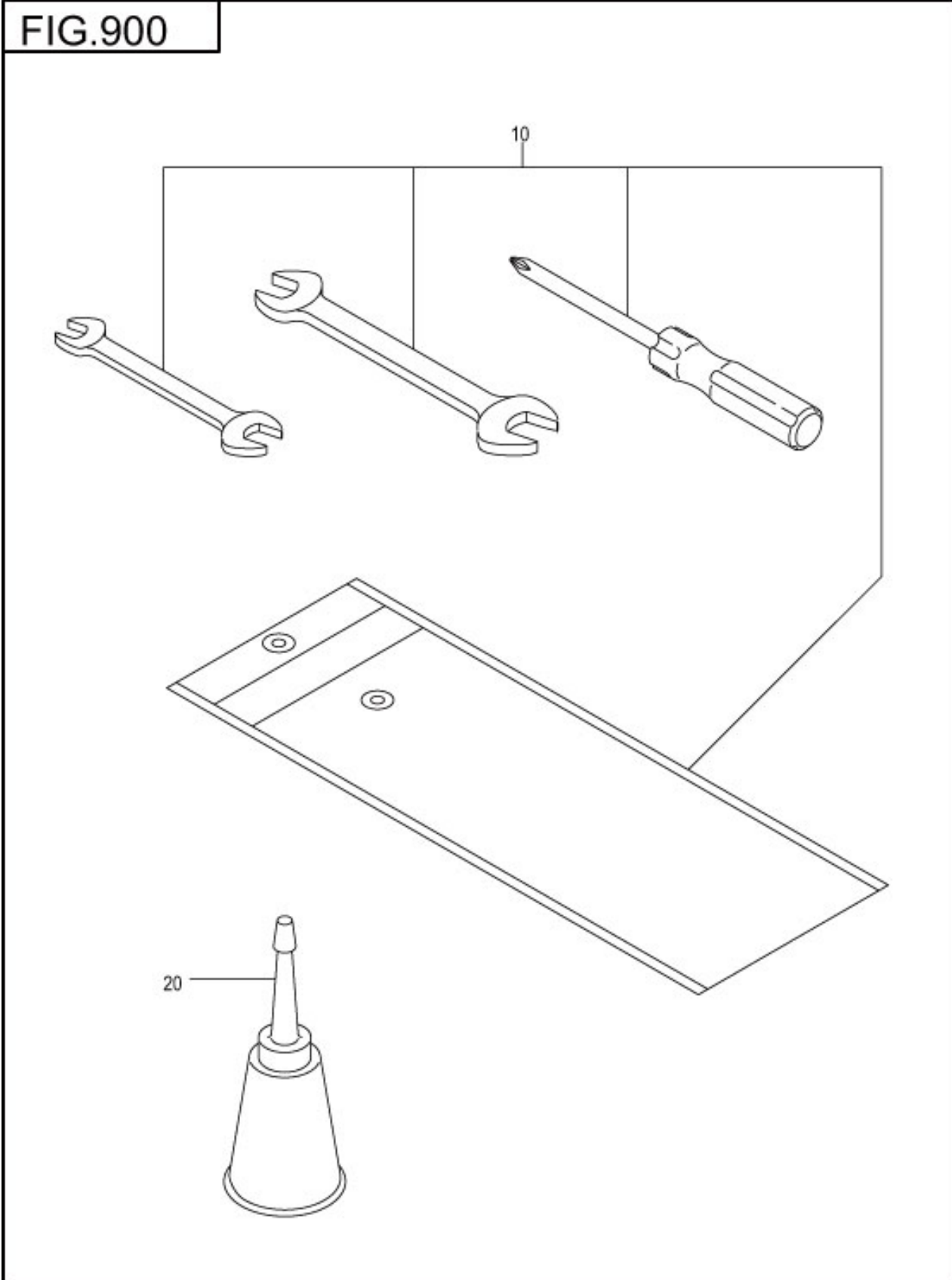
### 6 FUEL LUBRICANT



REF.	PART NUMBER	PART NAME	CODE NO.	QTY	REMARKS	INTERCHANGE
300	255-63103-10	INJECTION PUMP AY	5845-	1		
	255-63103-00	INJECTION PUMP AY	3685-5844	1		255-63103-10
	243-63101-20	INJECTION PUMP AY	-3684	1		243-63101-30
- 1	243-63131-08	PLUNGER AY	-	1		
- 2	243-63103-08	DELIVERY VALVE	-	1		
- 3	243-63104-08	DELIVERY SPRING	-	1		
- 4	243-63105-08	GASKET	-	1		
- 5	255-63109-08	O-RING	5845-	1		
	243-63107-08	O RING	-5844	1		
- 6	255-63108-08	O-RING5	5845-	2		
	243-63129-08	O RING	-5844	2		
- 7	243-63124-08	BOLT	-3684	1		
- 8	243-63125-08	GASKET	-3684	1		
- 21	243-63130-08	SCREW	-	2		
310	243-65001-03	GASKET(INJECTION)	-	1	T=0.1	
311	243-65002-03	GASKET(INJECTION)	-	1	T=0.2	
312	243-65003-03	GASKET(INJECTION)	-	1	T=0.3	
320	243-63201-00	NOZZLE AY	-	1		
- 1	243-63204-08	NOZZLE	-	1		
330	228-65004-03	GASKET(NOZZLE)	-	1		
340	243-66001-01	BRACKET CP,NOZZLE 1	-	1		
360	002-38060-00	FLANGE NUT	-	4	M6X1. 0X13DX6H	
400	243-62101-20	FUEL FILTER AY	-	1		
- 7	228-62112-08	PACKING	-	1		
- 8	228-62111-08	PLUG	-	1		
420	243-66520-10	T-CONNECTOR AY	4139-	1		
	243-66520-00	T-CONNECTOR AY	-4138	1		243-66520-10
- 1	243-66521-08	NUT	-	1		
- 2	243-66506-08	PACKING	-	1		
430	243-63301-21	INJECTION PIPE CP	-	1		

REF.	PART NUMBER	PART NAME	CODE NO.	QTY	REMARKS	INTERCHANGE
440	085-14500-00	RUBBER PIPE	-	1	4. 5DX9D	
450	085-10600-00	RUBBER PIPE	-	1	6DX12D	
460	085-14500-00	RUBBER PIPE	-	1	4. 5DX9D	
470	085-10600-00	RUBBER PIPE	-	1	6DX12D	
480	056-10800-10	HOSE CLAMP	-	6	7. 8DX6BX0. 6T	
490	056-11100-20	HOSE CLAMP	-	4	11. 5DX8BX0. 7T	
600	255-64301-00	OIL FILTER AY	5266-	1		
	243-64301-00	OIL FILTER AY	-5265	1		
610	001-14061-60	BOLT AND WASHER AY	4750-	2	M6X1. 0X16L W/W, SW	
	001-14061-60	BOLT AND WASHER AY	-4749	4	M6X1. 0X16L W/W, SW	
611	001-14062-00	BOLT AND WASHER AY	4750-5265	2	M6X1. 0X20L W/W, SW	
615	255-65005-01	FILTER PLATE CP	4750-5265	1		
620	006-26201-60	O RING	5266-	1		
	006-26202-03	O RING	4750-5265	1		
	006-26202-00	O RING	-4749	1		006-26202-03
700	228-63902-03	OIL PUMP(OUTER)	-	1		
710	024-03300-60	O RING	5327-	1	33. 2DX37D	
	006-26103-30	O RING	-5326	1		024-03300-60
720	255-66020-01	COVER CP,OIL PUMP	5266-	1		255-66020-13
	243-66020-01	COVER CP,OIL PUMP	-5265	1		
730	014-00601-70	SCREW	5266-	3	M6X1. 0X13L	
	004-11061-60	SCREW,COUNTER SUNK	-5265	3		
750	214-63601-13	OIL GAUGE	-	2	M22X1. 5 L=86+25	
760	021-32000-50	GASKET	5539-	2	20DX27DX1. 5T RUBBER	
	021-32000-10	GASKET	-5538	2	20DX27DX1. 5T RUBBER	021-32000-50

9 ACCESSORIES LABEL



REF.	PART NUMBER	PART NAME	CODE NO.	QTY	REMARKS	INTERCHANGE
10	243-90301-00	ACCESSORY TOOLS KIT	-	1		
20	243-65006-00	OIL FEEDER AY	-	1		