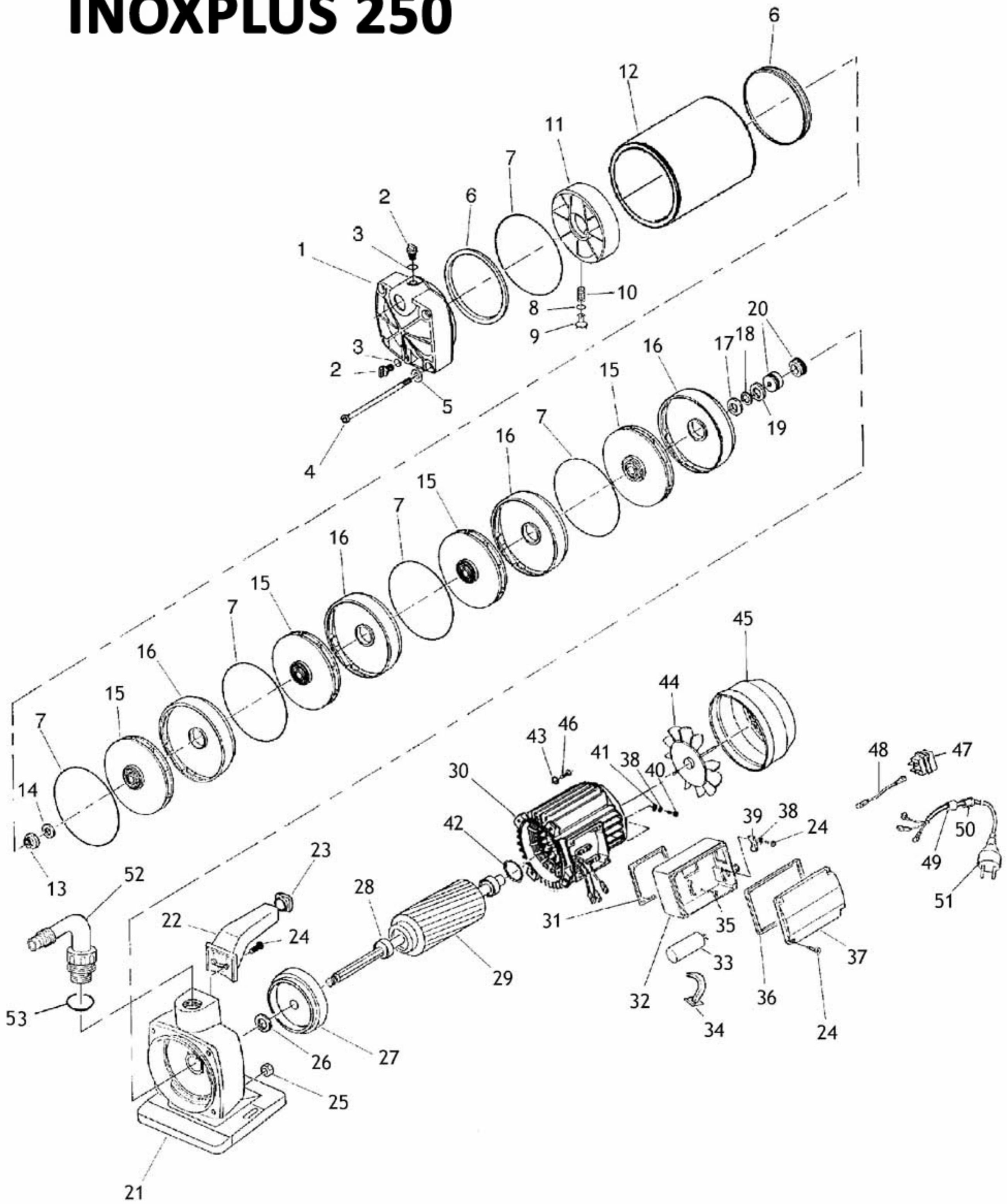


# INOXPLUS 250



## INOXPLUS 250

Model	Ref.	Art. Leader	Descrizione	Description
INOXPLUS 240 autoad. LP164011 - INOXPLUS 250 autoadesc	1	S3500280	Flangia aspirazione MC 1" GAS	Flange MC 1" GAS
INOXPLUS 240 autoad. LP164011 - INOXPLUS 250 autoadesc	2	S3500009	Tappo filettato 3/8" GAS	Screw 3/8" GAS
INOXPLUS 240 autoad. LP164011 - INOXPLUS 250 autoadesc	3	P1200004	Guarnizione O.Ring	Joint O.Ring
INOXPLUS 240 autoad. LP164011 - INOXPLUS 250 autoadesc	4	P1100039	Tirante 250	Cross screw 250
INOXPLUS 240 autoad. LP164011 - INOXPLUS 250 autoadesc	4	P1100040	Tirante 240	Cross screw 240
INOXPLUS 240 autoad. LP164011 - INOXPLUS 250 autoadesc	5	P1120021	Rosetta elastica	Spring-washer
INOXPLUS 240 autoad. LP164011 - INOXPLUS 250 autoadesc	6	P1240009	Guarnizione "Elle"	Joint
INOXPLUS 240 autoad. LP164011 - INOXPLUS 250 autoadesc	7	P1200014	Guarnizione O.Ring	Joint O.Ring
INOXPLUS 240 autoad. LP164011 - INOXPLUS 250 autoadesc	8	P1200039	Guarnizione O.Ring	Joint O.Ring
INOXPLUS 240 autoad. LP164011 - INOXPLUS 250 autoadesc	9	S3500402	Otturatore	Obturator
INOXPLUS 240 autoad. LP164011 - INOXPLUS 250 autoadesc	10	P1130006	Molla	Spring
INOXPLUS 240 autoad. LP164011 - INOXPLUS 250 autoadesc	11	S3500403	Controflangia	Counterflange
INOXPLUS 240 autoad. LP164011 - INOXPLUS 250 autoadesc	12	P1600014	Camicia inox Inoxplus 250	Jacket inox Inoxplus 250
INOXPLUS 240 autoad. LP164011 - INOXPLUS 250 autoadesc	12	P1600015	Camicia inox Inoxplus 240	Jacket inox Inoxplus 240
INOXPLUS 240 autoad. LP164011 - INOXPLUS 250 autoadesc	13	P1110009	Dado	Nut
INOXPLUS 240 autoad. LP164011 - INOXPLUS 250 autoadesc	14	P1120014	Rosetta	Washer
INOXPLUS 240 autoad. LP164011 - INOXPLUS 250 autoadesc	15	S3250027	Girante	Impeller
INOXPLUS 240 autoad. LP164011 - INOXPLUS 250 autoadesc	16	S3250006	Diffusore	Diffuser
INOXPLUS 240 autoad. LP164011 - INOXPLUS 250 autoadesc	17	P1120028	Rosetta	Washer
INOXPLUS 240 autoad. LP164011 - INOXPLUS 250 autoadesc	18	P1120022	Anello seeger	Ring seeger
INOXPLUS 240 autoad. LP164011 - INOXPLUS 250 autoadesc	19	P1120027	Rosetta	Washer
INOXPLUS 240 autoad. LP164011 - INOXPLUS 250 autoadesc	20	P1220003	Gruppo tenuta meccanica	Mechanical seal
INOXPLUS 240 autoad. LP164011 - INOXPLUS 250 autoadesc	21	S3600121	Corpo MC	Pump housing
INOXPLUS 240 autoad. LP164011 - INOXPLUS 250 autoadesc	22	S3500286	Manico MC	Handle MC
INOXPLUS 240 autoad. LP164011 - INOXPLUS 250 autoadesc	23	S3500287	Tappo manico MC	Handle cap MC
INOXPLUS 240 autoad. LP164011 - INOXPLUS 250 autoadesc	24	P1100006	Vite	Screw
INOXPLUS 240 autoad. LP164011 - INOXPLUS 250 autoadesc	25	P1110013	Dado	Nut
INOXPLUS 240 autoad. LP164011 - INOXPLUS 250 autoadesc	26	P1240014	Guarnizione paraspruzzi	Joint
INOXPLUS 240 autoad. LP164011 - INOXPLUS 250 autoadesc	27	S3120001	Flangia anteriore Mec 71	Anterior flange Mec 71
INOXPLUS 240 autoad. LP164011 - INOXPLUS 250 autoadesc	28	P1180006	Cuscinetto	Bearing
INOXPLUS 240 autoad. LP164011 - INOXPLUS 250 autoadesc	29	S3111009	Albero rotore completo di cuscinetti 240	Shaft with bearings 240
INOXPLUS 240 autoad. LP164011 - INOXPLUS 250 autoadesc	29	S3111010	Albero rotore completo di cuscinetti 250	Shaft with bearings 250
INOXPLUS 240 autoad. LP164011 - INOXPLUS 250 autoadesc	30	S3410195	Statore completo 240	Stator 240
INOXPLUS 240 autoad. LP164011 - INOXPLUS 250 autoadesc	30	S3410196	Statore completo 250	Stator 250
INOXPLUS 240 autoad. LP164011 - INOXPLUS 250 autoadesc	31	S3500199	Gasket bassetta 63/71	Gasket
INOXPLUS 240 autoad. LP164011 - INOXPLUS 250 autoadesc	32	S3500214	Base portacondensatore	Base capacitor holder
INOXPLUS 240 autoad. LP164011 - INOXPLUS 250 autoadesc	33	P1360001	Condensatore 250	Capacitor 250
INOXPLUS 240 autoad. LP164011 - INOXPLUS 250 autoadesc	33	P1360002	Condensatore 240	Capacitor 240
INOXPLUS 240 autoad. LP164011 - INOXPLUS 250 autoadesc	34	S3500205	Clip fermacondensatore	Clip
INOXPLUS 240 autoad. LP164011 - INOXPLUS 250 autoadesc	35	P1100004	Vite	Screw
INOXPLUS 240 autoad. LP164011 - INOXPLUS 250 autoadesc	36	P1200021	Guarnizione O.Ring	Joint O.Ring
INOXPLUS 240 autoad. LP164011 - INOXPLUS 250 autoadesc	37	S3500218	Coperchio portacondensatore	Cap capacitor holder
INOXPLUS 240 autoad. LP164011 - INOXPLUS 250 autoadesc	38	P1120003	Rosetta elastica	Spring-washer
INOXPLUS 240 autoad. LP164011 - INOXPLUS 250 autoadesc	39	P1510004	Cricchetto serracavo	Cable fastener
INOXPLUS 240 autoad. LP164011 - INOXPLUS 250 autoadesc	40	P1100055	Vite terra	Earth screw
INOXPLUS 240 autoad. LP164011 - INOXPLUS 250 autoadesc	41	P1120051	Rosetta piana	Washer
INOXPLUS 240 autoad. LP164011 - INOXPLUS 250 autoadesc	42	P1120001	Anello onda	Waved ring
INOXPLUS 240 autoad. LP164011 - INOXPLUS 250 autoadesc	43	P1120030	Rosetta elastica	Spring-washer
INOXPLUS 240 autoad. LP164011 - INOXPLUS 250 autoadesc	44	P1510001	Ventola raffreddamento Mec 71	Fan Mec 71
INOXPLUS 240 autoad. LP164011 - INOXPLUS 250 autoadesc	45	S3200010	Copriventola Mec 71	Fan cover Mec 71
INOXPLUS 240 autoad. LP164011 - INOXPLUS 250 autoadesc	46	P1100046	Vite	Screw
INOXPLUS 240 autoad. LP164011 - INOXPLUS 250 autoadesc	47	P1380044	Interruttore non luminoso	Switch
INOXPLUS 240 autoad. LP164011 - INOXPLUS 250 autoadesc	48	P1310001	Cavetto blue	Cable blue
INOXPLUS 240 autoad. LP164011 - INOXPLUS 250 autoadesc	49	P1230001	Gommino d9	Joint d9
INOXPLUS 240 autoad. LP164011 - INOXPLUS 250 autoadesc	50	P1510009	Dado	Nut
INOXPLUS 240 autoad. LP164011 - INOXPLUS 250 autoadesc	51	P1330001	Cavo di alimentazione	Cable
INOXPLUS 240 autoad. LP164011 - INOXPLUS 250 autoadesc	52	S3600056	Raccordo curvo	Elbow
INOXPLUS 240 autoad. LP164011 - INOXPLUS 250 autoadesc	53	P1200002	Guarnizione O.Ring	Joint O.Ring